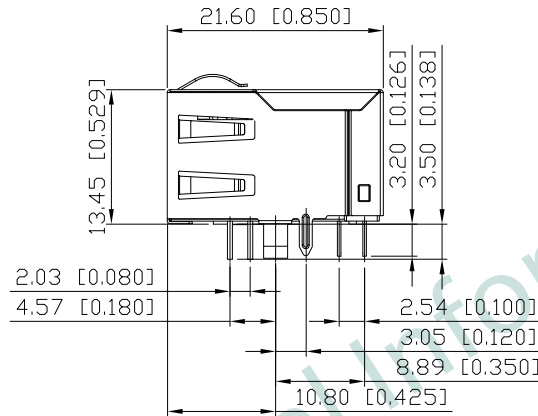
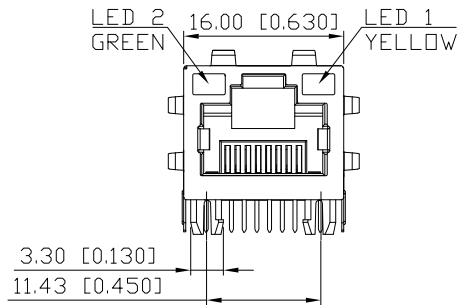
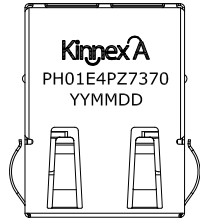
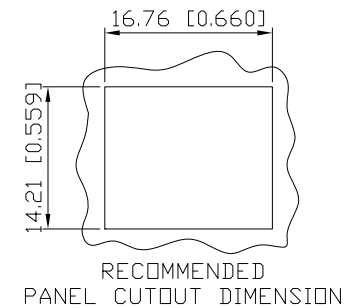
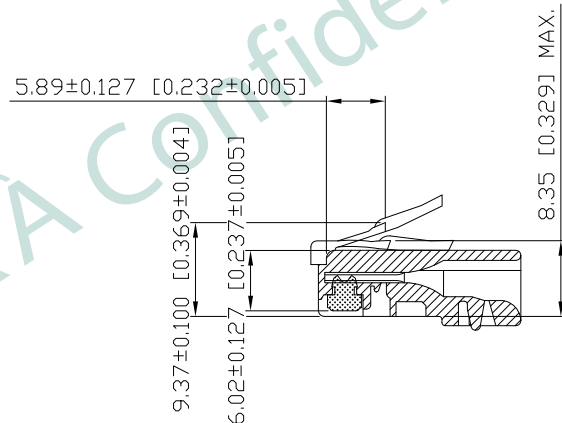


1. MECHANICAL DIMENSIONS :

REV.	DATE	DESCRIPTION
01	Jan. 15, '18	1st RELEASE



RECOMMENDED PLUG DIMENSION:



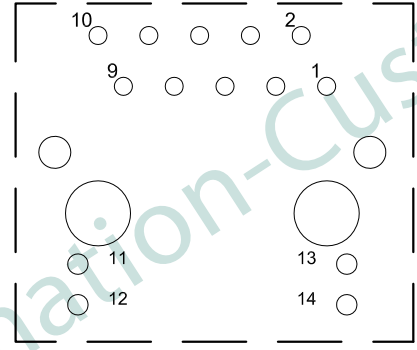
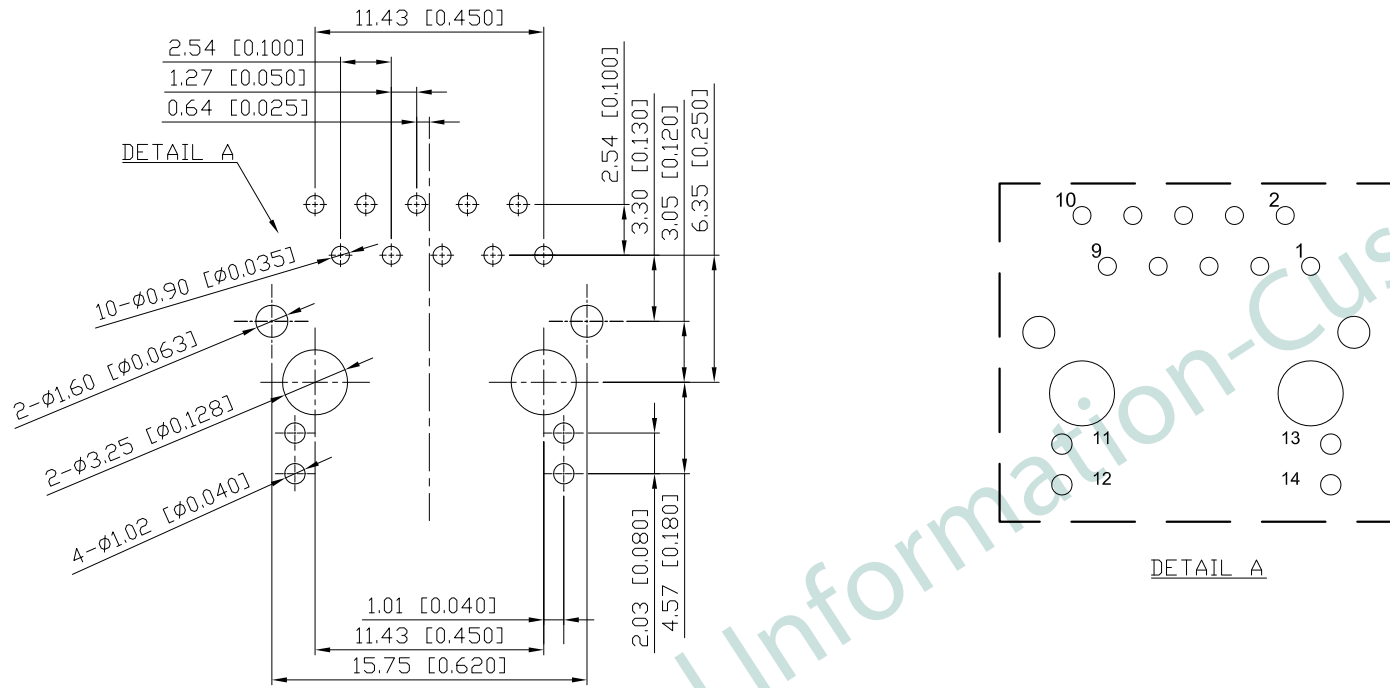
NOTES:

- MATERIAL:  
HOUSING: HIGH THERMOPLASTIC, UL94V-0, BLACK  
CONTACTS: PHOS-BRONZE, GOLD FLASH PLATING AND TIN IN SOLDER AREA  
SHIELD: COPPER ALLOY, NICKEL PLATING
- OPERATING TEMPERATURE: -40°C~+85°C
- INSERTION FORCE: 4 POUNDS MAX.  
EXTRACTION FORCE: 4 POUNDS MAX.
- DURABILITY: 750 MATING CYCLED MIN.
- CAVITY CONFORMS TO FCC RULES AND REGULATIONS PART 68, SUBPART F.
- UNSPECIFIED TOLERANCE: .XX ±0.25[0.010]  
.X ±0.30[0.012]

PART NO KPH-01E-4-PZ7-370				
TITLE	RJ45, W/ 10/100 TRANSFORMER AND PoE, W/LED, SHIELDED			
REV : 01				
UNIT	DRAWN	CHKD	DATE	SHEET
mm[inch]	CINDY	DANIEL	Jan. 15, '18	1 of 5

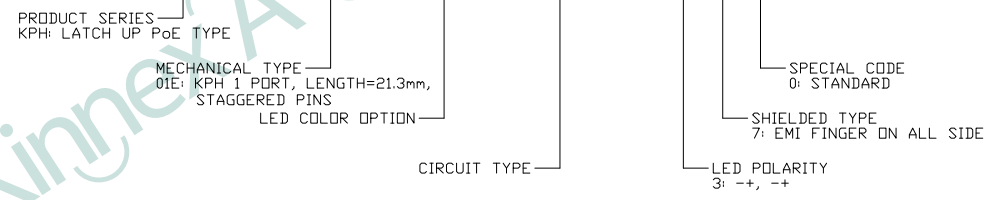
2. PCB LAYOUT :

A  
B  
C  
D  
E  
F



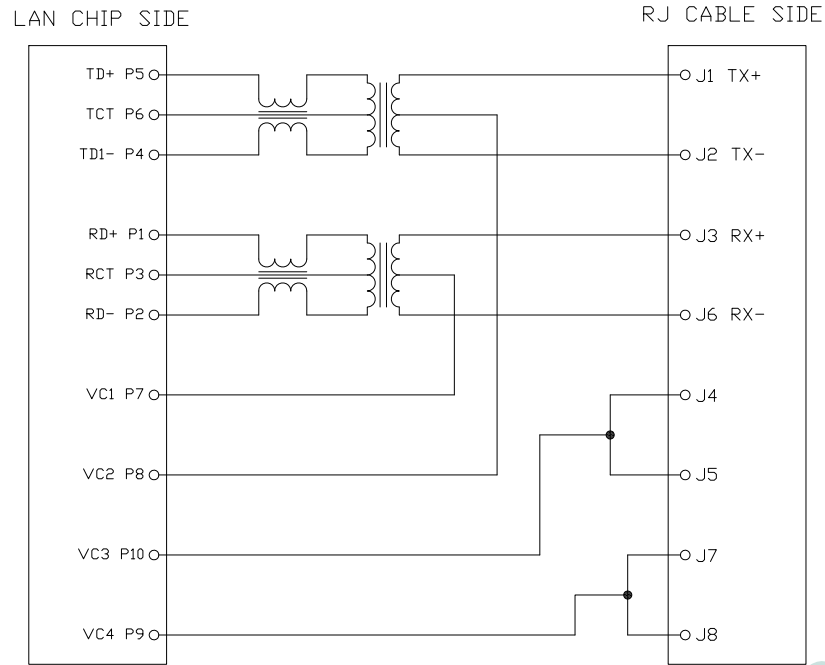
SUGGESTED PCB LAYOUT  
(TOP VIEW) SCALE:2:1  
DIMENSIONAL TOLERANCE: .XX ±0.08[0.003]

KPH-01E-4-PZ7-370



PART NO		KPH-01E-4-PZ7-370		
TITLE	RJ45, W/ 10/100 TRANSFORMER AND PoE, W/LED, SHIELDED			
REV : 01				
UNIT	DRAWN	CHKD	DATE	SHEET
mm[inch]	CINDY	DANIEL	Jan. 15, '18	2 of 5

3. SCHEMATIC :



4. ELECTRICAL CHARACTERISTICS :

TEST NOTES:(25±5°C)

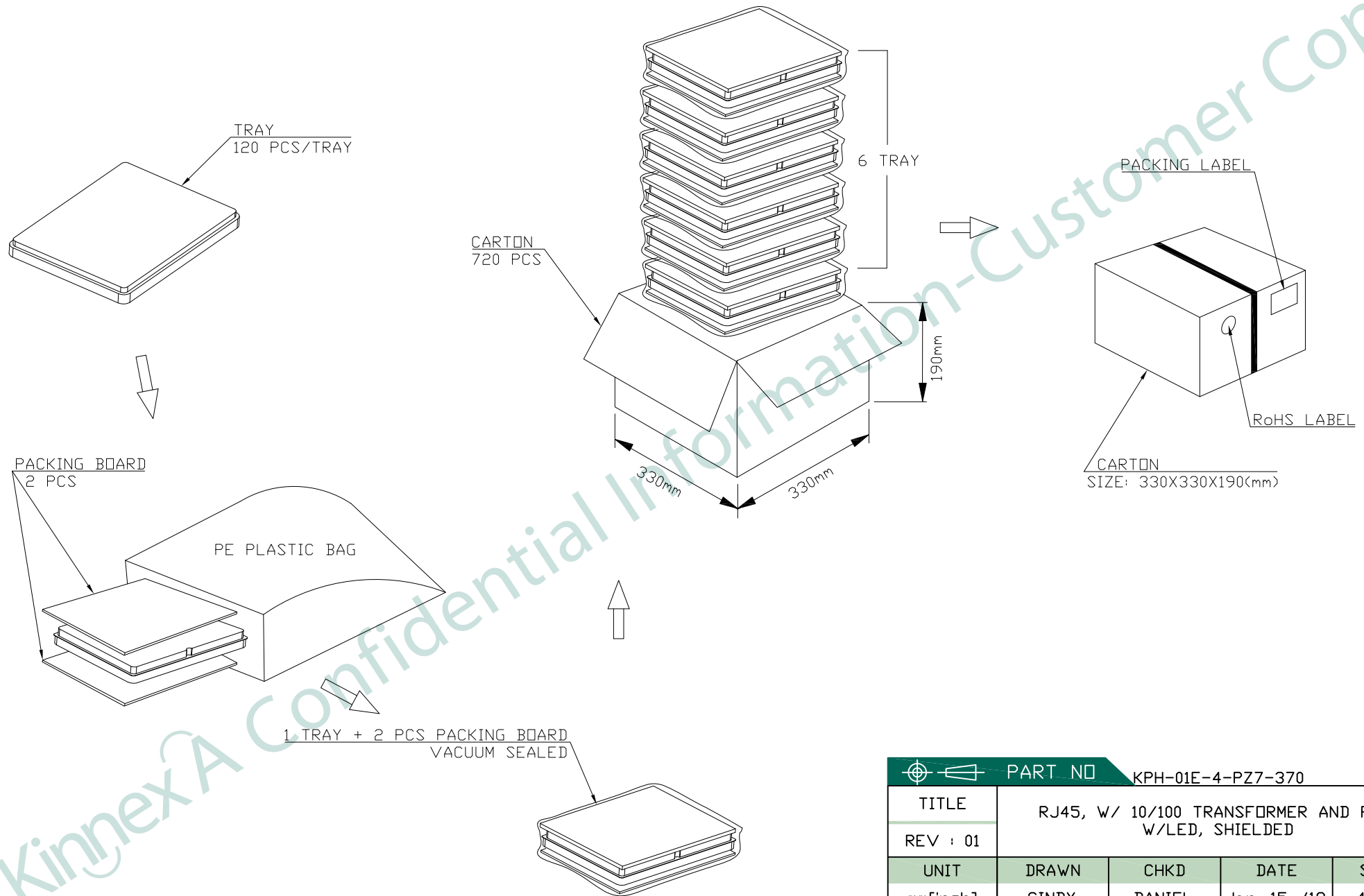
1. TR:  
INPUT TO OUTPUT=1:1±3%
2. LX:(100KHz,100mV,8mA, DC Bias)  
350uH MINIMUM
3. DCR:  
EVERY RJ PAIR=1.2 Ω MAXIMUM
4. HIPOT:  
INPUT(RJ SIDE) TO OUTPUT(LAN SIDE):  
1500 VAC/60SEC
5. INSERTION LOSS:  
-1.0dB MAXIMUM AT 0.3MHz TO 100MHz
6. RETURN LOSS:  
-20dB MINIMUM AT 1MHz TO 30MHz  
-15dB MINIMUM AT 30MHz TO 60MHz  
-10dB MINIMUM AT 60MHz TO 80MHz
7. CROSS TALK:  
-30dB MINIMUM AT 1MHz TO 100MHz
8. COMMON TO COMMON MODE REJECTION:  
-30dB MINIMUM AT 1MHz TO 100MHz
9. WORKING CURRENT FOR PoE: 360mA DC MAX



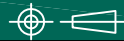
COLOR	VF(V) @20mA		IV(mcd) @20mA	IF(mA)	PEAK WAVE LENGTH λP(nm) @20mA
	TYP	MAX	TYP	TYP	TYP
GREEN	2.2	2.6	10	20	570
YELLOW	2.2	2.6	15	20	588

PART NO		KPH-01E-4-PZ7-370		
TITLE	RJ45, W/ 10/100 TRANSFORMER AND PoE, W/LED, SHIELDED			
REV : 01				
UNIT	DRAWN	CHKD	DATE	SHEET
mm[inch]	CINDY	DANIEL	Jan. 15, '18	3 of 5

5. PACKING SPECIFICATION:



RoHS Compliant

 PART NO		KPH-01E-4-PZ7-370		
TITLE		RJ45, W/ 10/100 TRANSFORMER AND PoE, W/LED, SHIELDED		
REV : 01				
UNIT	DRAWN	CHKD	DATE	SHEET
mm[inch]	CINDY	DANIEL	Jan. 15, '18	4 of 5

DWG NO KPH-01E-4-PZ7-370

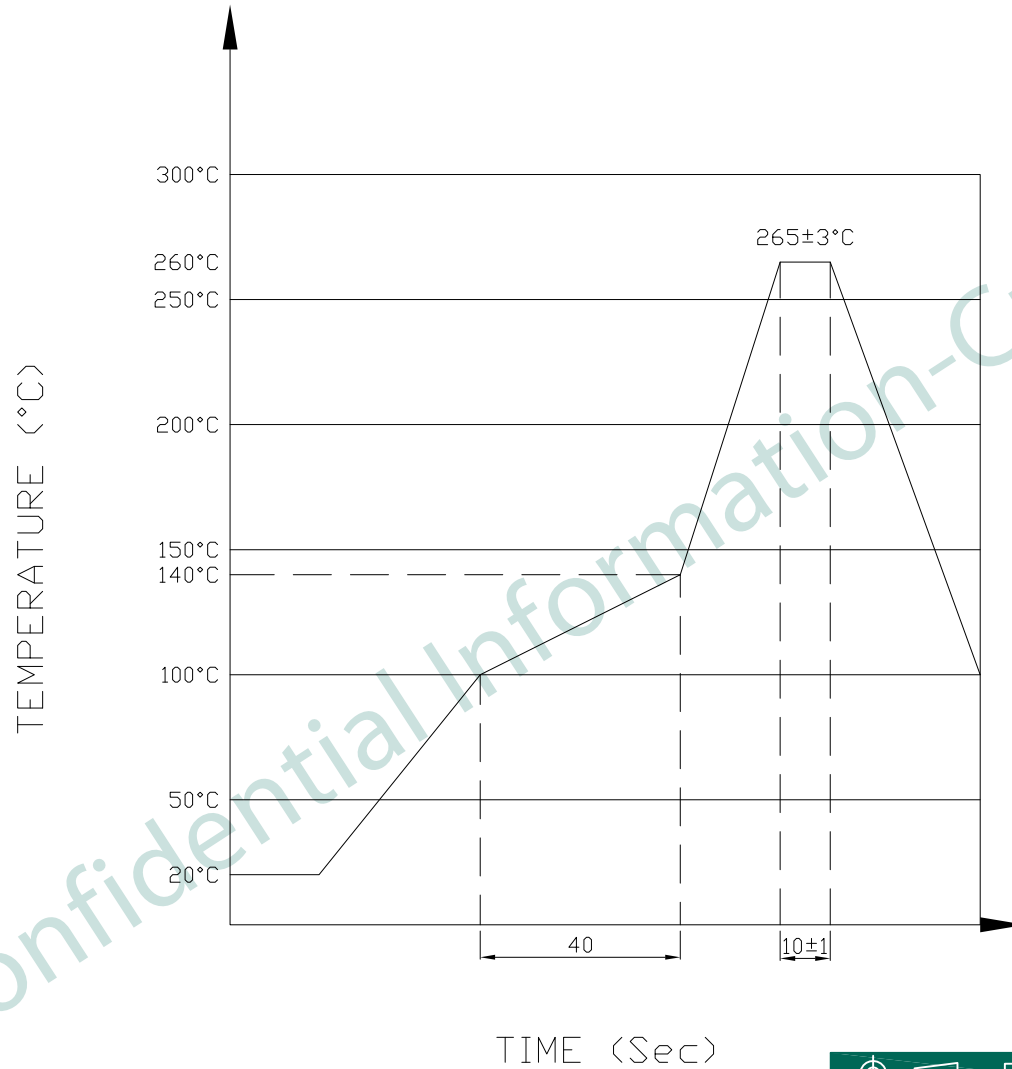
KinnexA, INC. 8F, No. 172, CHENG TEH ROAD SEC. 4, TAIPEI 11167, TAIWAN

Connected by 

**PRELIMINARY RELEASE SUBJECT TO CHANGE**

※ THIS DRAWING IS A CONTROLLED DOCUMENT ※

6. PROFILE OF WAVE SOLDER :



The measuring point for the specified temperature shall be on the soldered part of the lead

PART NO KPH-01E-4-PZ7-370				
TITLE	RJ45, W/ 10/100 TRANSFORMER AND PoE, W/LED, SHIELDED			
REV : 01				
UNIT	DRAWN	CHKD	DATE	SHEET
mm[inch]	CINDY	DANIEL	Jan. 15, '18	5 of 5