


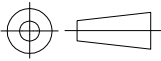
LOC	DIST	REVISIONS						
		P	LTR	DESCRIPTION	DATE	DWN	APVD	
J	—		V	REVISED	ECR-13-007857	14MAY2013	SN	JK

See customer Accessible  
Production Drawing

THIS DRAWING IS UNPUBLISHED.

ALL RIGHTS RESERVED.

© COPYRIGHT - By Tyco Electronics Japan G.K.

DIMENSIONS: mm  TOLERANCES UNLESS OTHERWISE SPECIFIED:  0 PLC ± - 1 PLC ± - 2 PLC ± - 3 PLC ± - 4 PLC ± - ANGLES ± -	DWN H.MASUDA 16DEC1987 CHK T.YOSHIOKA 28DEC1987 APVD H.ABE 29DEC1987	MATERIAL	FINISH
	PRODUCT SPEC —  APPLICATION SPEC —  WEIGHT —	MATERIAL — FINISH —   TE Connectivity	
	NAME MINIATURE QUICK CHANGE APPLICATOR HINGE BAR EF (.250 POSITIVE LOCK EX FLAG)		
CUSTOMER DRAWING		SIZE A4 CAGE CODE 00779 DRAWING NO. C-908993-2	RESTRICTED TO —  SCALE — SHEET 1 of 1 REV V