

ME-IO 18,8 B/FE 9U TBUS 7035 - Mounting base housing



2201809

<https://www.phoenixcontact.com/us/products/2201809>

Please be informed that the data shown in this PDF document is generated from our online catalog. Please find the complete data in the user documentation. Our general terms of use for downloads are valid.



DIN rail housing, Lower housing part with metal foot catch, with vents, width: 18.9 mm, height: 109.6 mm, depth: 64.3 mm, color: light grey (7035), cross connection: DIN rail connector (optional), number of positions cross connector: 5

Your advantages

- Easy, tool-free mounting
- Optional DIN rail connector for easy module-to-module communication
- Lock and Release principle for automatic latching and intuitive release of the front connection plug
- Plastic in accordance with UL94 V0: for more rigorous flammability requirements
- Integrated FE contact for simple electromagnetically compatible installation

Commercial data

Item number	2201809
Packing unit	1 pc
Minimum order quantity	10 pc
Sales key	AC15
Product key	ACHEBA
GTIN	4046356911702
Weight per piece (including packing)	32.21 g
Weight per piece (excluding packing)	26.031 g
Customs tariff number	85389099
Country of origin	DE

ME-IO 18,8 B/FE 9U TBUS 7035 - Mounting base housing

2201809

<https://www.phoenixcontact.com/us/products/2201809>

Technical data

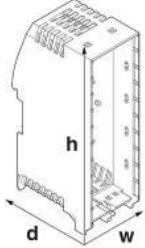
Notes

General	Refer to the data sheet for the range in the download area.
General	Material of contact pads for bus connector, galvanic gold (hard gold)

Product properties

Product type	Enclosure bottom part
Max. number of positions	54 (pitch: 3.45 mm) 36 (pitch: 5 mm)
Type	Lower housing part with metal foot catch
Housing type	DIN rail housing
Ventilation openings present	yes
Housing series	ME-IO

Dimensions

Dimensional drawing	
Width	18.9 mm
Height	109.6 mm
Depth	64.3 mm
Depth from top edge of DIN rail	57.7 mm

PCB design

PCB thickness	1.4 mm ... 1.8 mm
---------------	-------------------

Material specifications

Color	light grey (7035)
Flammability rating according to UL 94	V0
Surface characteristics	untreated
Housing material	Polyamide

Environmental and real-life conditions

Power dissipation single housing for 20 °C

Ambient temperature	20 °C
Reduction factor	1
Mounting position	vertical

ME-IO 18,8 B/FE 9U TBUS 7035 - Mounting base housing



2201809

<https://www.phoenixcontact.com/us/products/2201809>

Power dissipation	2.8 W
-------------------	-------

Power dissipation single housing for 30 °C

Ambient temperature	30 °C
Reduction factor	0.91
Mounting position	vertical
Power dissipation	2.5 W

Power dissipation single housing for 40 °C

Ambient temperature	40 °C
Reduction factor	0.81
Mounting position	vertical
Power dissipation	2.3 W

Power dissipation single housing for 50 °C

Ambient temperature	50 °C
Reduction factor	0.7
Mounting position	vertical
Power dissipation	2 W

Power dissipation single housing for 60 °C

Ambient temperature	60 °C
Reduction factor	0.57
Mounting position	vertical
Power dissipation	1.6 W

Vibration test

Specification	IEC 60068-2-6:2007-12
Frequency	10 - 150 - 10 Hz
Sweep speed	1 octave/min
Amplitude	0.15 mm (10 Hz ... 58.1 Hz)
Acceleration	2g (58.1 Hz ... 150 Hz)
Test duration per axis	2.5 h
Test directions	X-, Y- and Z-axis

Glow-wire test

Specification	IEC 60695-2-11:2014-02
Temperature	850 °C
Time of exposure	30 s

Thermal stability / ball thrust test

Specification	IEC 60695-10-2:2014-02
Temperature	125 °C
Test duration	1 h
Force	20 N

Mechanical strength / tumbling barrel

Specification	IEC 60068-2-31:2008-05
---------------	------------------------

ME-IO 18,8 B/FE 9U TBUS 7035 - Mounting base housing



2201809

<https://www.phoenixcontact.com/us/products/2201809>

Height of fall	50 cm
Frequency	50

Shocks

Specification	IEC 60068-2-27:2008-02
Pulse shape	Semi-sinusoidal
Acceleration	15g
Shock duration	11 ms
Number of shocks per direction	3
Test directions	X-, Y- and Z-axis (pos. and neg.)

Test for substances that would hinder coating with paint or varnish

Specification	VDMA 24364:2018-05
---------------	--------------------

Degree of protection (IP code)

Specification	IEC 60529:1989-11 + AMD 1:1999-11 + AMD 2:2013-08
---------------	---

Ambient conditions

Max. IP code to attain	IP20
Ambient temperature (operation)	-40 °C ... 105 °C (depending on power dissipation)
Ambient temperature (storage/transport)	-40 °C ... 55 °C
Ambient temperature (assembly)	-5 °C ... 100 °C
Relative humidity (storage/transport)	80 %

PCB data

Number of PCB holders	1
Type of PCB mount	Latching
Total PCB surface	5900 mm ²
Thickness of the PCB	1.4 mm ... 1.8 mm

Mounting

Mounting type	DIN rail mounting
Mounting position	Vertical (horizontal DIN rail)

Packaging specifications

Type of packaging	packed in cardboard
Outer packaging type	Carton

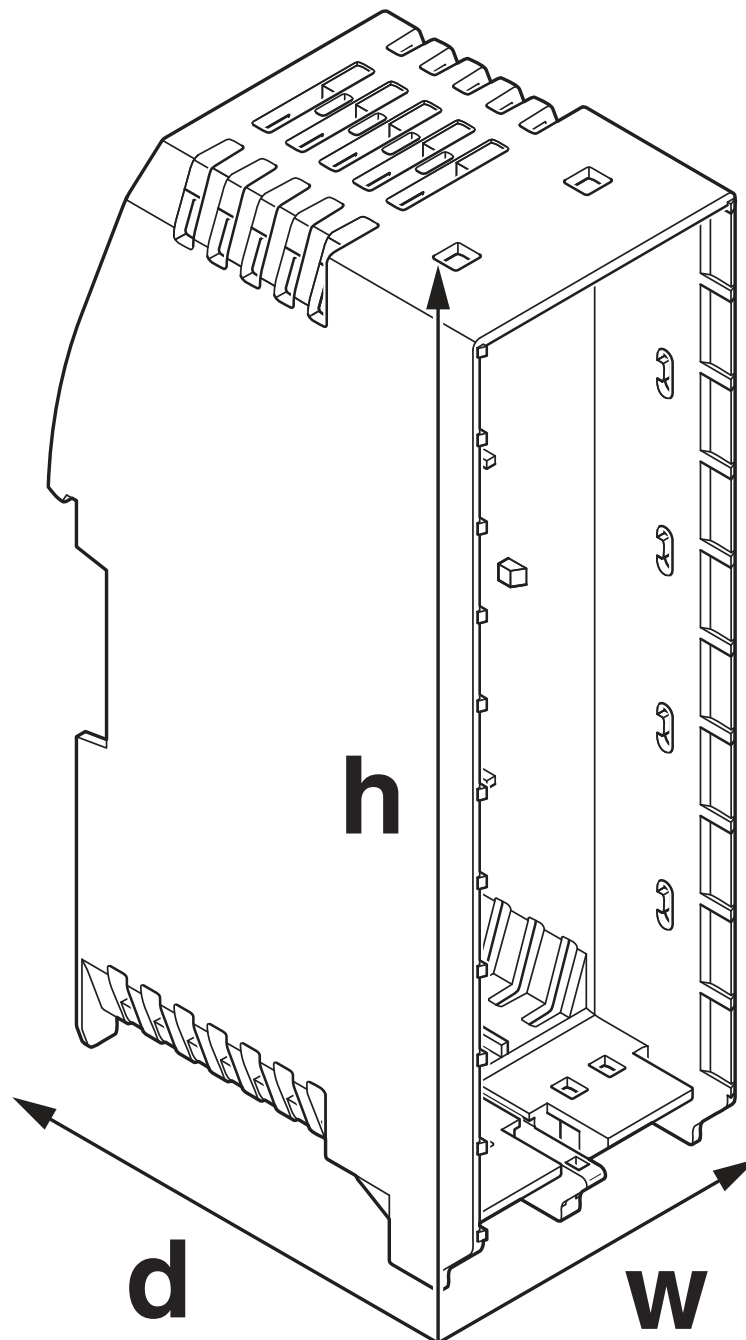
ME-IO 18,8 B/FE 9U TBUS 7035 - Mounting base housing

2201809

<https://www.phoenixcontact.com/us/products/2201809>

Drawings

Dimensional drawing



Schematic figure for illustrating the item dimensions. The figure is not of the desired product. For further details, refer to the product drawings in the "Downloads" tab.

ME-IO 18,8 B/FE 9U TBUS 7035 - Mounting base housing



2201809

<https://www.phoenixcontact.com/us/products/2201809>

Approvals

🔗 To download certificates, visit the product detail page: <https://www.phoenixcontact.com/us/products/2201809>



UL Recognized

Approval ID: FILE E 240868

ME-IO 18,8 B/FE 9U TBUS 7035 - Mounting base housing



2201809

<https://www.phoenixcontact.com/us/products/2201809>

Classifications

ECLASS

ECLASS-11.0	27182702
ECLASS-13.0	27190601

ETIM

ETIM 8.0	EC001031
----------	----------

UNSPSC

UNSPSC 21.0	31261500
-------------	----------

ME-IO 18,8 B/FE 9U TBUS 7035 - Mounting base housing



2201809

<https://www.phoenixcontact.com/us/products/2201809>

Environmental product compliance

China RoHS	Environmentally friendly use period: unlimited = EFUP-e
	No hazardous substances above threshold values

ME-IO 18,8 B/FE 9U TBUS 7035 - Mounting base housing

2201809

<https://www.phoenixcontact.com/us/products/2201809>

Mandatory accessories

HSCH 2,5-3U/12 9005 - PCB header

2201788

<https://www.phoenixcontact.com/us/products/2201788>



PCB headers, nominal cross section: 2.5 mm², color: black, nominal current: 8 A, rated voltage (III/2): 320 V, contact surface: Tin, contact connection type: Pin, number of potentials: 12, number of rows: 2, number of positions: 12, number of connections: 12, product range: HSCH 2,5/..-G, pitch: 5 mm, mounting: Wave soldering, pin layout: Linear pinning, solder pin [P]: 3.8 mm, number of solder pins per potential: 1, plug-in system: HSC 2,5, Pin connector pattern alignment: Standard, locking: without, mounting: without, type of packaging: packed in cardboard

HSCH 2,5-2U/ 8 9005 - PCB header

2201789

<https://www.phoenixcontact.com/us/products/2201789>



PCB headers, nominal cross section: 2.5 mm², color: black, nominal current: 8 A, rated voltage (III/2): 320 V, contact surface: Tin, contact connection type: Pin, number of potentials: 8, number of rows: 2, number of positions: 8, number of connections: 8, product range: HSCH 2,5/..-G, pitch: 5 mm, mounting: Wave soldering, pin layout: Linear pinning, solder pin [P]: 3.8 mm, number of solder pins per potential: 1, plug-in system: HSC 2,5, Pin connector pattern alignment: Standard, locking: without, mounting: without, type of packaging: packed in cardboard

ME-IO 18,8 B/FE 9U TBUS 7035 - Mounting base housing



2201809

<https://www.phoenixcontact.com/us/products/2201809>

HSCH 2,5-2U-TTTT 9005 - PCB header

2201790

<https://www.phoenixcontact.com/us/products/2201790>



PCB headers, nominal cross section: 2.5 mm², color: black, nominal current: 8 A, rated voltage (III/2): 320 V, contact surface: Tin, contact connection type: Pin, number of potentials: 4, number of rows: 2, number of positions: 4, number of connections: 4, product range: HSCH 2,5/..-G, pitch: 5 mm, mounting: Wave soldering, pin layout: Linear pinning, solder pin [P]: 3.8 mm, number of solder pins per potential: 1, plug-in system: HSC 2,5, Pin connector pattern alignment: Standard, locking: without, mounting: without, type of packaging: packed in cardboard, Partially assembled version

HSCH 2,5-2U-2220 9005 - PCB header

2201792

<https://www.phoenixcontact.com/us/products/2201792>



PCB headers, nominal cross section: 2.5 mm², color: black, nominal current: 8 A, rated voltage (III/2): 320 V, contact surface: Tin, contact connection type: Pin, number of potentials: 6, number of rows: 2, number of positions: 6, number of connections: 6, product range: HSCH 2,5/..-G, pitch: 5 mm, mounting: Wave soldering, pin layout: Mixed pinning, solder pin [P]: 3.8 mm, number of solder pins per potential: 1, plug-in system: HSC 2,5, Pin connector pattern alignment: Standard, locking: without, mounting: without, type of packaging: packed in cardboard, Partially assembled version

ME-IO 18,8 B/FE 9U TBUS 7035 - Mounting base housing

2201809

<https://www.phoenixcontact.com/us/products/2201809>

HSC-LR 5U KIT 2003 - Locking

2201796

<https://www.phoenixcontact.com/us/products/2201796>



DIN rail housing, 5U, Lock and Release system, width: 16.1 mm, height: 67.95 mm, depth: 8.8 mm, color: orange (2003)

HSC-LR 3U KIT 2003 - Locking

2201797

<https://www.phoenixcontact.com/us/products/2201797>



DIN rail housing, 3U, Lock and Release system, width: 16.1 mm, height: 45.95 mm, depth: 8.8 mm, color: orange (2003)

ME-IO 18,8 B/FE 9U TBUS 7035 - Mounting base housing

2201809

<https://www.phoenixcontact.com/us/products/2201809>

HSC-LR 7U KIT 2003 - Locking

2201795

<https://www.phoenixcontact.com/us/products/2201795>



DIN rail housing, 7U, Lock and Release system, width: 16.1 mm, height: 89.95 mm, depth: 8.8 mm, color: orange (2003)

HSC-LR 9U KIT 2003 - Locking

2201794

<https://www.phoenixcontact.com/us/products/2201794>



DIN rail housing, 9U, Lock and Release system, width: 16.1 mm, height: 111.8 mm, depth: 8.8 mm, color: orange (2003)

Accessories

ME-IO 18,8 B/FE 9U TBUS 7035 - Mounting base housing

2201809

<https://www.phoenixcontact.com/us/products/2201809>

ME-IO 18,8 C 2U 7035 - Housing cover

2201799

<https://www.phoenixcontact.com/us/products/2201799>



DIN rail housing, 2U, Housing cover, width: 18.9 mm, height: 21.8 mm, depth: 26 mm, color: light grey (7035)

ME-IO 18,8 C 3U 7035 - Housing cover

2201800

<https://www.phoenixcontact.com/us/products/2201800>



DIN rail housing, 3U, Housing cover, width: 18.9 mm, height: 32.8 mm, depth: 26 mm, color: light grey (7035)

ME-IO 18,8 B/FE 9U TBUS 7035 - Mounting base housing

2201809

<https://www.phoenixcontact.com/us/products/2201809>

ME-IO 18,8 C 3U S1 7035 - Housing cover

2201801

<https://www.phoenixcontact.com/us/products/2201801>



DIN rail housing, 3U, Housing cover, width: 18.9 mm, height: 32.8 mm, depth: 26 mm, color: light grey (7035)

ME-IO 18,8 C 4U 7035 - Housing cover

2201802

<https://www.phoenixcontact.com/us/products/2201802>



DIN rail housing, 4U, Housing cover, width: 18.9 mm, height: 43.8 mm, depth: 26 mm, color: light grey (7035)

ME-IO 18,8 B/FE 9U TBUS 7035 - Mounting base housing

2201809

<https://www.phoenixcontact.com/us/products/2201809>

ME-IO 18,8 C 5U 7035 - Housing cover

2201803

<https://www.phoenixcontact.com/us/products/2201803>



DIN rail housing, 5U, Housing cover, width: 18.9 mm, height: 54.8 mm, depth: 26 mm, color: light grey (7035)

ME-IO 18,8 C 6U 7035 - Housing cover

2201804

<https://www.phoenixcontact.com/us/products/2201804>



DIN rail housing, 6U, Housing cover, width: 18.9 mm, height: 65.8 mm, depth: 26 mm, color: light grey (7035)

ME-IO 18,8 B/FE 9U TBUS 7035 - Mounting base housing

2201809

<https://www.phoenixcontact.com/us/products/2201809>

ME-IO 18,8 C 7U 7035 - Housing cover

2201805

<https://www.phoenixcontact.com/us/products/2201805>



DIN rail housing, 7U, Housing cover, width: 18.9 mm, height: 76.8 mm, depth: 26 mm, color: light grey (7035)

ME-IO 18,8 C 8U 7035 - Housing cover

2202634

<https://www.phoenixcontact.com/us/products/2202634>



DIN rail housing, 8U, Housing cover, width: 18.9 mm, height: 87.8 mm, depth: 26 mm, color: light grey (7035)

ME-IO 18,8 B/FE 9U TBUS 7035 - Mounting base housing

2201809

<https://www.phoenixcontact.com/us/products/2201809>

ME-IO 18,8 C 2U MC10 7035 - Housing cover

2202582

<https://www.phoenixcontact.com/us/products/2202582>



DIN rail housing, 2U for marking lid, Housing cover, width: 18.9 mm, height: 21.9 mm, depth: 26 mm, color: light grey (7035)

ME-IO 18,8 C 2U MC18 7035 - Housing cover

2202581

<https://www.phoenixcontact.com/us/products/2202581>



DIN rail housing, 2U for marking lid, Housing cover, width: 18.9 mm, height: 21.9 mm, depth: 26 mm, color: light grey (7035)

ME-IO 18,8 B/FE 9U TBUS 7035 - Mounting base housing



2201809

<https://www.phoenixcontact.com/us/products/2201809>

ME-IO 18,8 MC 8U TRANS - Marking lid

2202627

<https://www.phoenixcontact.com/us/products/2202627>



DIN rail housing, 8U, Marking lid, width: 18.8 mm, height: 110.95 mm, color: transparent

ME-IO 18,8 F-LR 7035 - Filler plugs

2202635

<https://www.phoenixcontact.com/us/products/2202635>



DIN rail housing, Filler plugs, for closing the Lock and Release area, width: 11.7 mm, height: 16.1 mm, depth: 10.6 mm, color: light grey (7035)

ME-IO 18,8 B/FE 9U TBUS 7035 - Mounting base housing

2201809

<https://www.phoenixcontact.com/us/products/2201809>

HSC-LR 9U KIT 2003 - Locking

2201794

<https://www.phoenixcontact.com/us/products/2201794>



DIN rail housing, 9U, Lock and Release system, width: 16.1 mm, height: 111.8 mm, depth: 8.8 mm, color: orange (2003)

HSC-LR 7U KIT 2003 - Locking

2201795

<https://www.phoenixcontact.com/us/products/2201795>



DIN rail housing, 7U, Lock and Release system, width: 16.1 mm, height: 89.95 mm, depth: 8.8 mm, color: orange (2003)

ME-IO 18,8 B/FE 9U TBUS 7035 - Mounting base housing

2201809

<https://www.phoenixcontact.com/us/products/2201809>

HSC-LR 5U KIT 2003 - Locking

2201796

<https://www.phoenixcontact.com/us/products/2201796>



DIN rail housing, 5U, Lock and Release system, width: 16.1 mm, height: 67.95 mm, depth: 8.8 mm, color: orange (2003)

HSC-LR 3U KIT 2003 - Locking

2201797

<https://www.phoenixcontact.com/us/products/2201797>



DIN rail housing, 3U, Lock and Release system, width: 16.1 mm, height: 45.95 mm, depth: 8.8 mm, color: orange (2003)

ME-IO 18,8 B/FE 9U TBUS 7035 - Mounting base housing



2201809

<https://www.phoenixcontact.com/us/products/2201809>

HSCH 2,5-3U/12 9005 - PCB header

2201788

<https://www.phoenixcontact.com/us/products/2201788>



PCB headers, nominal cross section: 2.5 mm², color: black, nominal current: 8 A, rated voltage (III/2): 320 V, contact surface: Tin, contact connection type: Pin, number of potentials: 12, number of rows: 2, number of positions: 12, number of connections: 12, product range: HSCH 2,5/..-G, pitch: 5 mm, mounting: Wave soldering, pin layout: Linear pinning, solder pin [P]: 3.8 mm, number of solder pins per potential: 1, plug-in system: HSC 2,5, Pin connector pattern alignment: Standard, locking: without, mounting: without, type of packaging: packed in cardboard

HSCH 2,5-2U/ 8 9005 - PCB header

2201789

<https://www.phoenixcontact.com/us/products/2201789>



PCB headers, nominal cross section: 2.5 mm², color: black, nominal current: 8 A, rated voltage (III/2): 320 V, contact surface: Tin, contact connection type: Pin, number of potentials: 8, number of rows: 2, number of positions: 8, number of connections: 8, product range: HSCH 2,5/..-G, pitch: 5 mm, mounting: Wave soldering, pin layout: Linear pinning, solder pin [P]: 3.8 mm, number of solder pins per potential: 1, plug-in system: HSC 2,5, Pin connector pattern alignment: Standard, locking: without, mounting: without, type of packaging: packed in cardboard

ME-IO 18,8 B/FE 9U TBUS 7035 - Mounting base housing

2201809

<https://www.phoenixcontact.com/us/products/2201809>

HSCH 2,5-2U-TTTT 9005 - PCB header

2201790

<https://www.phoenixcontact.com/us/products/2201790>



PCB headers, nominal cross section: 2.5 mm², color: black, nominal current: 8 A, rated voltage (III/2): 320 V, contact surface: Tin, contact connection type: Pin, number of potentials: 4, number of rows: 2, number of positions: 4, number of connections: 4, product range: HSCH 2,5/..-G, pitch: 5 mm, mounting: Wave soldering, pin layout: Linear pinning, solder pin [P]: 3.8 mm, number of solder pins per potential: 1, plug-in system: HSC 2,5, Pin connector pattern alignment: Standard, locking: without, mounting: without, type of packaging: packed in cardboard, Partially assembled version

HSCH 2,5-2U-2220 9005 - PCB header

2201792

<https://www.phoenixcontact.com/us/products/2201792>



PCB headers, nominal cross section: 2.5 mm², color: black, nominal current: 8 A, rated voltage (III/2): 320 V, contact surface: Tin, contact connection type: Pin, number of potentials: 6, number of rows: 2, number of positions: 6, number of connections: 6, product range: HSCH 2,5/..-G, pitch: 5 mm, mounting: Wave soldering, pin layout: Mixed pinning, solder pin [P]: 3.8 mm, number of solder pins per potential: 1, plug-in system: HSC 2,5, Pin connector pattern alignment: Standard, locking: without, mounting: without, type of packaging: packed in cardboard, Partially assembled version

ME-IO 18,8 B/FE 9U TBUS 7035 - Mounting base housing

2201809

<https://www.phoenixcontact.com/us/products/2201809>

HSCH 1,5-3U/18 9005 - PCB header

2202232

<https://www.phoenixcontact.com/us/products/2202232>



PCB headers, nominal cross section: 1.5 mm², color: black, nominal current: 8 A, rated voltage (III/2): 160 V, contact surface: Tin, contact connection type: Pin, number of potentials: 18, number of rows: 2, number of positions: 18, number of connections: 18, product range: HSCH 1,5/...-G, pitch: 3.45 mm, mounting: Wave soldering, pin layout: Linear pinning, solder pin [P]: 3.8 mm, number of solder pins per potential: 1, plug-in system: HSC 1,5, Pin connector pattern alignment: Standard, locking: without, mounting: without, type of packaging: packed in cardboard

HSCH 1,5-2U/12 9005 - PCB header

2202233

<https://www.phoenixcontact.com/us/products/2202233>



PCB headers, nominal cross section: 1.5 mm², color: black, nominal current: 8 A, rated voltage (III/2): 160 V, contact surface: Tin, contact connection type: Pin, number of potentials: 12, number of rows: 2, number of positions: 12, number of connections: 12, product range: HSCH 1,5/...-G, pitch: 3.45 mm, mounting: Wave soldering, pin layout: Linear pinning, solder pin [P]: 3.8 mm, number of solder pins per potential: 1, plug-in system: HSC 1,5, Pin connector pattern alignment: Standard, locking: without, mounting: without, type of packaging: packed in cardboard

ME-IO 18,8 B/FE 9U TBUS 7035 - Mounting base housing

2201809

<https://www.phoenixcontact.com/us/products/2201809>

HSCP-SP 2,5-1U4-7035 - Printed-circuit board connector

2201780

<https://www.phoenixcontact.com/us/products/2201780>



PCB connector, nominal cross section: 2.5 mm², color: light grey, nominal current: 8 A, rated voltage (III/2): 320 V, contact surface: Tin, contact connection type: Socket, number of potentials: 4, number of rows: 2, number of positions: 4, number of connections: 4, product range: HSCP-SP 2,5-..., pitch: 5 mm, connection method: Push-in spring connection, conductor/PCB connection direction: 0 °, locking clip: - Locking clip, plug-in system: HSC 2,5, locking: without, mounting: without, type of packaging: packed in cardboard, Color of the spring lever: orange

HSCP-SP 2,5-1UTT-7035 - Printed-circuit board connector

2201781

<https://www.phoenixcontact.com/us/products/2201781>



PCB connector, nominal cross section: 2.5 mm², color: light grey, nominal current: 8 A, rated voltage (III/2): 320 V, contact surface: Tin, contact connection type: Socket, number of potentials: 2, number of rows: 2, number of positions: 2, number of connections: 4, product range: HSCP-SP 2,5-..., pitch: 5 mm, connection method: Push-in spring connection, conductor/PCB connection direction: 0 °, locking clip: - Locking clip, plug-in system: HSC 2,5, locking: without, mounting: without, type of packaging: packed in cardboard, Color of the spring lever: orange

ME-IO 18,8 B/FE 9U TBUS 7035 - Mounting base housing

2201809

<https://www.phoenixcontact.com/us/products/2201809>

HSCP-SP 2,5-1U20-7035 - Printed-circuit board connector

2201782

<https://www.phoenixcontact.com/us/products/2201782>



PCB connector, nominal cross section: 2.5 mm², color: light grey, nominal current: 8 A, rated voltage (III/2): 320 V, contact surface: Tin, contact connection type: Socket, number of potentials: 2, number of rows: 2, number of positions: 2, number of connections: 2, product range: HSCP-SP 2,5-..., pitch: 5 mm, connection method: Push-in spring connection, conductor/PCB connection direction: 0 °, locking clip: - Locking clip, plug-in system: HSC 2,5, locking: without, mounting: without, type of packaging: packed in cardboard, Color of the spring lever: orange

HSCP-SP 2,5-1UTT-55/55-7035 - Printed-circuit board connector

2202607

<https://www.phoenixcontact.com/us/products/2202607>



PCB connector, nominal cross section: 2.5 mm², color: light grey, nominal current: 8 A, rated voltage (III/2): 320 V, contact surface: Tin, contact connection type: Socket, number of potentials: 4, number of rows: 2, number of positions: 2, number of connections: 2, product range: HSCP-SP 2,5-..., pitch: 5 mm, connection method: Push-in spring connection, conductor/PCB connection direction: 0 °, locking clip: - Locking clip, plug-in system: HSC 2,5, locking: without, mounting: without, type of packaging: packed in cardboard, Color of the spring levers: green, green / green, green

ME-IO 18,8 B/FE 9U TBUS 7035 - Mounting base housing

2201809

<https://www.phoenixcontact.com/us/products/2201809>

HSCP-SP 2,5-1U4-00/00-7035 - Printed-circuit board connector

2202569

<https://www.phoenixcontact.com/us/products/2202569>



PCB connector, nominal cross section: 2.5 mm², color: light grey, nominal current: 8 A, rated voltage (III/2): 320 V, contact surface: Tin, contact connection type: Socket, number of potentials: 4, number of rows: 2, number of positions: 4, number of connections: 4, product range: HSCP-SP 2,5-..., pitch: 5 mm, connection method: Push-in spring connection, conductor/PCB connection direction: 0 °, locking clip: - Locking clip, plug-in system: HSC 2,5, locking: without, mounting: without, type of packaging: packed in cardboard, Color of the spring levers: black, black / black, black

HSCP-SP 2,5-1U4-22/22-7035 - Printed-circuit board connector

2202572

<https://www.phoenixcontact.com/us/products/2202572>



PCB connector, nominal cross section: 2.5 mm², color: light grey, nominal current: 8 A, rated voltage (III/2): 320 V, contact surface: Tin, contact connection type: Socket, number of rows: 2, number of positions: 4, number of connections: 4, product range: HSCP-SP 2,5-..., pitch: 5 mm, connection method: Push-in spring connection, conductor/PCB connection direction: 0 °, locking clip: - Locking clip, plug-in system: HSC 2,5, locking: without, mounting: without, type of packaging: packed in cardboard, Color of the spring levers: red, red / red, red

ME-IO 18,8 B/FE 9U TBUS 7035 - Mounting base housing

2201809

<https://www.phoenixcontact.com/us/products/2201809>

HSCP-SP 2,5-1U4-66/66-7035 - Printed-circuit board connector

2202570

<https://www.phoenixcontact.com/us/products/2202570>



PCB connector, nominal cross section: 2.5 mm², color: light grey, nominal current: 8 A, rated voltage (III/2): 320 V, contact surface: Tin, contact connection type: Socket, number of potentials: 4, number of rows: 2, number of positions: 4, number of connections: 4, product range: HSCP-SP 2,5-..., pitch: 5 mm, connection method: Push-in spring connection, conductor/PCB connection direction: 0 °, locking clip: - Locking clip, plug-in system: HSC 2,5, locking: without, mounting: without, type of packaging: packed in cardboard, Color of the spring levers: blue, blue / blue, blue

HSCP-SP 2,5-1U4-55/55-7035 - Printed-circuit board connector

2202571

<https://www.phoenixcontact.com/us/products/2202571>



PCB connector, nominal cross section: 2.5 mm², color: light grey, nominal current: 8 A, rated voltage (III/2): 320 V, contact surface: Tin, contact connection type: Socket, number of potentials: 4, number of rows: 2, number of positions: 4, number of connections: 4, product range: HSCP-SP 2,5-..., pitch: 5 mm, connection method: Push-in spring connection, conductor/PCB connection direction: 0 °, locking clip: - Locking clip, plug-in system: HSC 2,5, locking: without, mounting: without, type of packaging: packed in cardboard, Color of the spring levers: green, green / green, green

ME-IO 18,8 B/FE 9U TBUS 7035 - Mounting base housing

2201809

<https://www.phoenixcontact.com/us/products/2201809>

HSCP-SP 2,5-1U4-99/99-7035 - Printed-circuit board connector

2202568

<https://www.phoenixcontact.com/us/products/2202568>



PCB connector, nominal cross section: 2.5 mm², color: light grey, nominal current: 8 A, rated voltage (III/2): 320 V, contact surface: Tin, contact connection type: Socket, number of potentials: 4, number of rows: 2, number of positions: 4, number of connections: 4, product range: HSCP-SP 2,5-..., pitch: 5 mm, connection method: Push-in spring connection, conductor/PCB connection direction: 0 °, locking clip: - Locking clip, plug-in system: HSC 2,5, locking: without, mounting: without, type of packaging: packed in cardboard, Color of the spring levers: white, white / white, white

HSCP-SP 2,5-1UTT-62/62-7035 - Printed-circuit board connector

2202606

<https://www.phoenixcontact.com/us/products/2202606>



PCB connector, nominal cross section: 2.5 mm², color: light grey, nominal current: 8 A, rated voltage (III/2): 320 V, contact surface: Tin, contact connection type: Socket, number of potentials: 2, number of rows: 2, number of positions: 2, number of connections: 4, product range: HSCP-SP 2,5-..., pitch: 5 mm, connection method: Push-in spring connection, conductor/PCB connection direction: 0 °, locking clip: - Locking clip, plug-in system: HSC 2,5, locking: without, mounting: without, type of packaging: packed in cardboard, Spring opener color: blue, red/blue, red

ME-IO 18,8 B/FE 9U TBUS 7035 - Mounting base housing

2201809

<https://www.phoenixcontact.com/us/products/2201809>

HSCP-SP 2,5-1U4-69/69-7035 - Printed-circuit board connector

2202605

<https://www.phoenixcontact.com/us/products/2202605>



PCB connector, nominal cross section: 2.5 mm², color: light grey, nominal current: 8 A, rated voltage (III/2): 320 V, contact surface: Tin, contact connection type: Socket, number of potentials: 4, number of rows: 2, number of positions: 4, number of connections: 4, product range: HSCP-SP 2,5-..., pitch: 5 mm, connection method: Push-in spring connection, conductor/PCB connection direction: 0 °, locking clip: - Locking clip, plug-in system: HSC 2,5, locking: without, mounting: without, type of packaging: packed in cardboard, Spring opener color: blue, white/blue, white

HSCP-SP 2,5-1U4-99/62-7035 - Printed-circuit board connector

2202608

<https://www.phoenixcontact.com/us/products/2202608>



PCB connector, nominal cross section: 2.5 mm², color: light grey, nominal current: 8 A, rated voltage (III/2): 320 V, contact surface: Tin, contact connection type: Socket, number of potentials: 4, number of rows: 2, number of positions: 4, number of connections: 4, product range: HSCP-SP 2,5-..., pitch: 5 mm, connection method: Push-in spring connection, conductor/PCB connection direction: 0 °, pin layout: Linear pinning, locking clip: - Locking clip, plug-in system: HSC 2,5, locking: without, mounting: without, type of packaging: packed in cardboard, Spring opener color: white, white/blue, red

ME-IO 18,8 B/FE 9U TBUS 7035 - Mounting base housing

2201809

<https://www.phoenixcontact.com/us/products/2201809>

HSCP-SP 2,5-1U4-29/29-7035 - Printed-circuit board connector

2203192

<https://www.phoenixcontact.com/us/products/2203192>



PCB connector, nominal cross section: 2.5 mm², color: light grey, nominal current: 8 A, rated voltage (III/2): 320 V, contact surface: Tin, contact connection type: Socket, number of potentials: 4, number of rows: 2, number of positions: 4, number of connections: 4, product range: HSCP-SP 2,5-..., pitch: 5 mm, connection method: Push-in spring connection, conductor/PCB connection direction: 0 °, locking clip: - Locking clip, plug-in system: HSC 2,5, locking: without, mounting: without, type of packaging: packed in cardboard, Spring opener color: red, white/red, white

HSCP-SP 2,5-1U4-62/59-7035 - Printed-circuit board connector

2203194

<https://www.phoenixcontact.com/us/products/2203194>



PCB connector, nominal cross section: 2.5 mm², color: light grey, nominal current: 8 A, rated voltage (III/2): 320 V, contact surface: Tin, contact connection type: Socket, number of potentials: 4, number of rows: 2, number of positions: 4, number of connections: 4, product range: HSCP-SP 2,5-..., pitch: 5 mm, connection method: Push-in spring connection, conductor/PCB connection direction: 0 °, locking clip: - Locking clip, plug-in system: HSC 2,5, locking: without, mounting: without, type of packaging: packed in cardboard, Spring opener color: blue, red/green, white

ME-IO 18,8 B/FE 9U TBUS 7035 - Mounting base housing

2201809

<https://www.phoenixcontact.com/us/products/2201809>

HSCP-SP 2,5-1U4-65/65-7035 - Printed-circuit board connector

2203195

<https://www.phoenixcontact.com/us/products/2203195>



PCB connector, nominal cross section: 2.5 mm², color: light grey, nominal current: 8 A, rated voltage (III/2): 320 V, contact surface: Tin, contact connection type: Socket, number of potentials: 4, number of rows: 2, number of positions: 4, number of connections: 4, product range: HSCP-SP 2,5-..., pitch: 5 mm, connection method: Push-in spring connection, conductor/PCB connection direction: 0 °, locking clip: - Locking clip, plug-in system: HSC 2,5, locking: without, mounting: without, type of packaging: packed in cardboard, Spring opener color: blue, green/blue, green

HSCP-SP 1,5-1U6-7035 - Printed-circuit board connector

2202234

<https://www.phoenixcontact.com/us/products/2202234>



PCB connector, nominal cross section: 1.5 mm², color: light grey, nominal current: 8 A, rated voltage (III/2): 160 V, contact surface: Tin, contact connection type: Socket, number of potentials: 6, number of rows: 2, number of positions: 6, number of connections: 6, product range: HSCP-SP 1,5-..., pitch: 3.45 mm, connection method: Push-in spring connection, conductor/PCB connection direction: 0 °, locking clip: - Locking clip, plug-in system: HSC 1,5, locking: without, mounting: without, type of packaging: packed in cardboard, Color of the spring lever: orange

ME-IO 18,8 B/FE 9U TBUS 7035 - Mounting base housing

2201809

<https://www.phoenixcontact.com/us/products/2201809>

HSCP-SP 1,5-1U6-629/629-7035 - Printed-circuit board connector

2202609

<https://www.phoenixcontact.com/us/products/2202609>



PCB connector, nominal cross section: 1.5 mm², color: light grey, nominal current: 8 A, rated voltage (III/2): 160 V, contact surface: Tin, contact connection type: Socket, number of potentials: 6, number of rows: 2, number of positions: 6, number of connections: 6, product range: HSCP-SP 1,5-..., pitch: 3.45 mm, connection method: Push-in spring connection, conductor/PCB connection direction: 0 °, locking clip: - Locking clip, plug-in system: HSC 1,5, locking: without, mounting: without, type of packaging: packed in cardboard, Spring opener color: blue, red, white/blue, red, white

ME B-22,5 MSTBO BU 5010 - Filler plugs

2202235

<https://www.phoenixcontact.com/us/products/2202235>



DIN rail housing, Filler plug for unoccupied terminal points (MSTBO), width: 20 mm, height: 19.05 mm, depth: 12.3 mm, color: gentian blue (5010)

ME-IO 18,8 B/FE 9U TBUS 7035 - Mounting base housing

2201809

<https://www.phoenixcontact.com/us/products/2201809>

ME 18,8 TBUS 1,5/5-ST-3,81KMGY - DIN rail bus connectors

2201813

<https://www.phoenixcontact.com/us/products/2201813>



DIN rail connector, color: light grey, nominal current: 8 A (parallel contacts), rated voltage (III/2): 125 V, contact surface: Gold, number of positions: 5, pitch: 3.81 mm, mounting: DIN rail mounting, locking: without, mounting: without, type of packaging: packed in cardboard, Item with gold-plated contacts, bus connectors for connecting with electronics housings, 5 parallel contacts

ME-IO 18,8 FOOT CATCH KIT - Base latch

2201812

<https://www.phoenixcontact.com/us/products/2201812>

Base latch, for DIN rail mounting, with spring included



ME-IO 18,8 B/FE 9U TBUS 7035 - Mounting base housing



2201809

<https://www.phoenixcontact.com/us/products/2201809>

HS LC-H-D2/ R2XC1-2,54 - Fiber optic

2202316

<https://www.phoenixcontact.com/us/products/2202316>



Multiple light guides with glare protection, passive, rigid, can be used for the ME, ME-MAX, ME-IO, ME PLC, and EH housing ranges (housing must be processed)

HS LC-H-D2/ R2XC2-2,54 - Fiber optic

2202317

<https://www.phoenixcontact.com/us/products/2202317>



Multiple light guides with glare protection, passive, rigid, can be used for the ME, ME-MAX, ME-IO, ME PLC, and EH housing ranges (housing must be processed)

ME-IO 18,8 B/FE 9U TBUS 7035 - Mounting base housing

2201809

<https://www.phoenixcontact.com/us/products/2201809>

HS LC-H-D2/ R2XC5-2,54 - Fiber optic

2202318

<https://www.phoenixcontact.com/us/products/2202318>



Multiple light guides with glare protection, passive, rigid, can be used for the ME, ME-MAX, ME-IO, ME PLC, and EH housing ranges (housing must be processed)

HS LC-H-D2/ R2XC10-2,54 - Fiber optic

2202319

<https://www.phoenixcontact.com/us/products/2202319>



Multiple light guides with glare protection, passive, rigid, can be used for the ME, ME-MAX, ME-IO, ME PLC, and EH housing ranges (housing must be processed)

ME-IO 18,8 B/FE 9U TBUS 7035 - Mounting base housing

2201809

<https://www.phoenixcontact.com/us/products/2201809>

HS LC-H-D2/ R4XC2-2,54 - Fiber optic

2202320

<https://www.phoenixcontact.com/us/products/2202320>



Multiple light guides with glare protection, passive, rigid, can be used for the ME, ME-MAX, ME-IO, ME PLC, and EH housing ranges (housing must be processed)

HS LC-H-D2/ R4XC5-2,54 - Fiber optic

2202321

<https://www.phoenixcontact.com/us/products/2202321>



Multiple light guides with glare protection, passive, rigid, can be used for the ME, ME-MAX, ME-IO, ME PLC, and EH housing ranges (housing must be processed)

ME-IO 18,8 B/FE 9U TBUS 7035 - Mounting base housing

2201809

<https://www.phoenixcontact.com/us/products/2201809>

HS LC-H-D2/ R4XC9-2,54 - Fiber optic

2202322

<https://www.phoenixcontact.com/us/products/2202322>



Multiple light guides with glare protection, passive, rigid, can be used for the ME, ME-MAX, ME-IO, ME PLC, and EH housing ranges (housing must be processed)

HS LC-H-D2/ R4XC10-2,54 - Fiber optic

2202323

<https://www.phoenixcontact.com/us/products/2202323>



Multiple light guides with glare protection, passive, rigid, can be used for the ME, ME-MAX, ME-IO, ME PLC, and EH housing ranges (housing must be processed)

ME-IO 18,8 B/FE 9U TBUS 7035 - Mounting base housing



2201809

<https://www.phoenixcontact.com/us/products/2201809>

HS LC-H-D2/ R2XC4-2,54 - Fiber optic

2202531

<https://www.phoenixcontact.com/us/products/2202531>



Multiple light guides with glare protection, passive, rigid, can be used for the ME, ME-MAX, ME-IO, ME PLC, and EH housing ranges (housing must be processed)

HS LC-H-D2/ R4XC4-2,54 - Fiber optic

2202532

<https://www.phoenixcontact.com/us/products/2202532>



Multiple light guides with glare protection, passive, rigid, can be used for the ME, ME-MAX, ME-IO, ME PLC, and EH housing ranges (housing must be processed)

Phoenix Contact 2023 © - all rights reserved
<https://www.phoenixcontact.com>

Phoenix Contact USA
586 Fulling Mill Road
Middletown, PA 17057, United States
(+717) 944-1300
info@phoenixcon.com