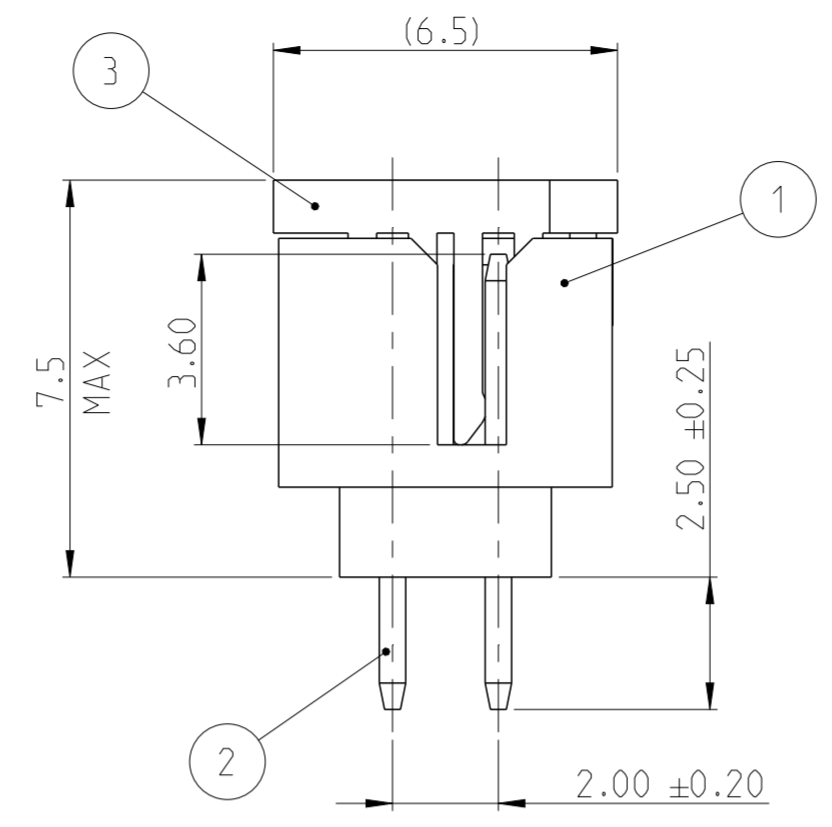
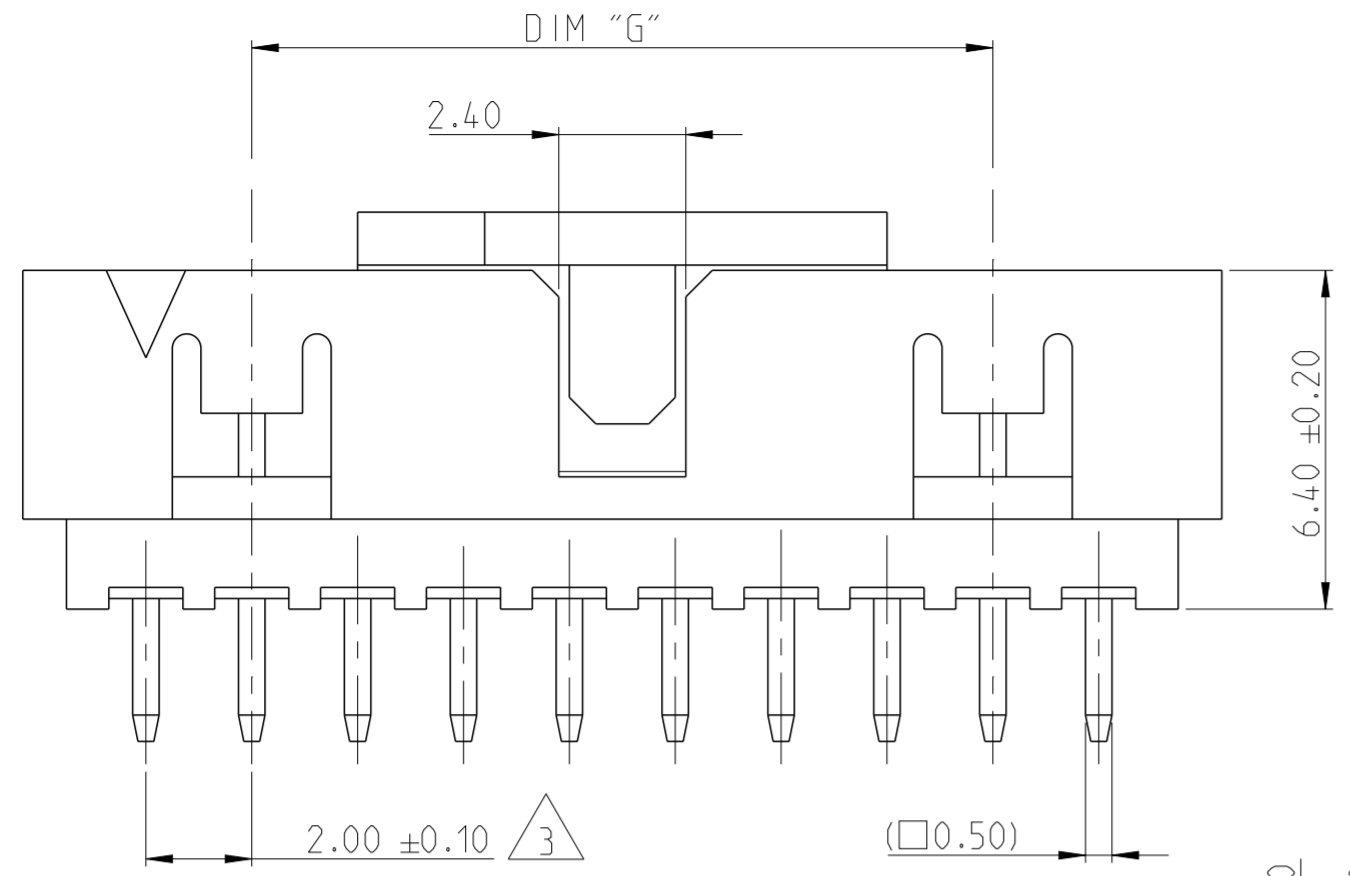
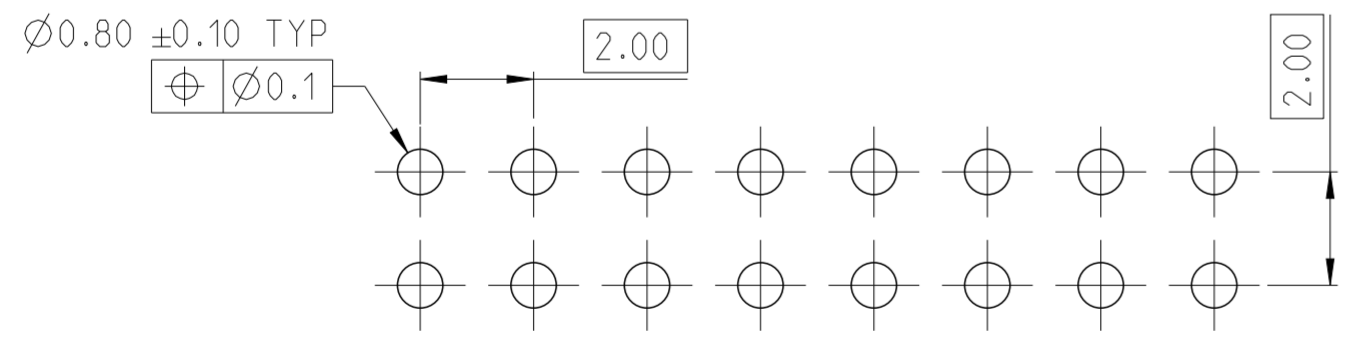
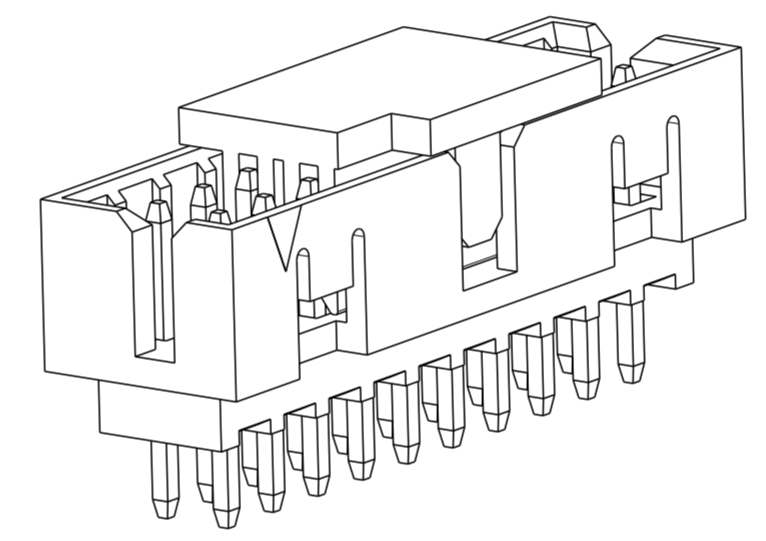
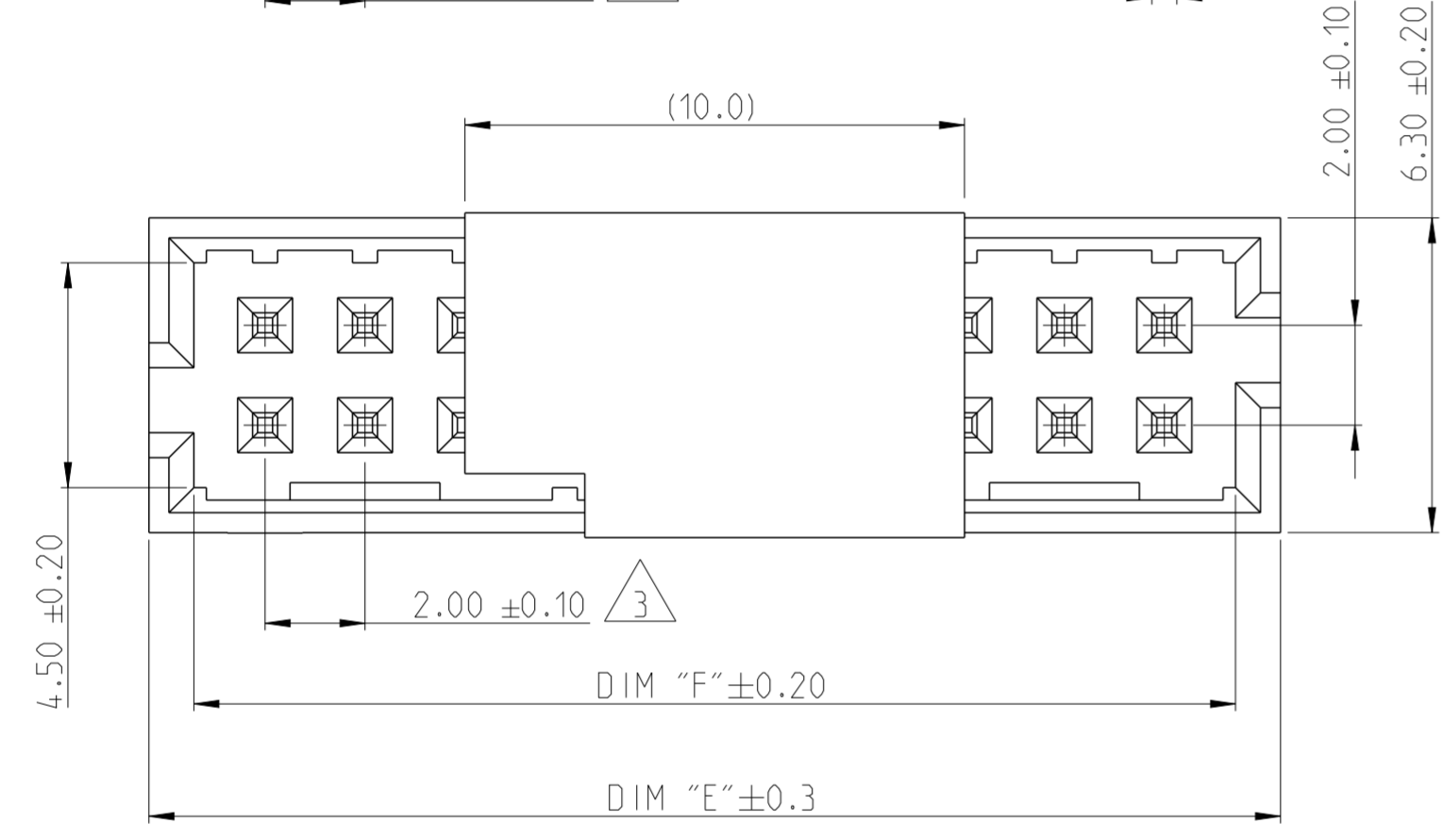


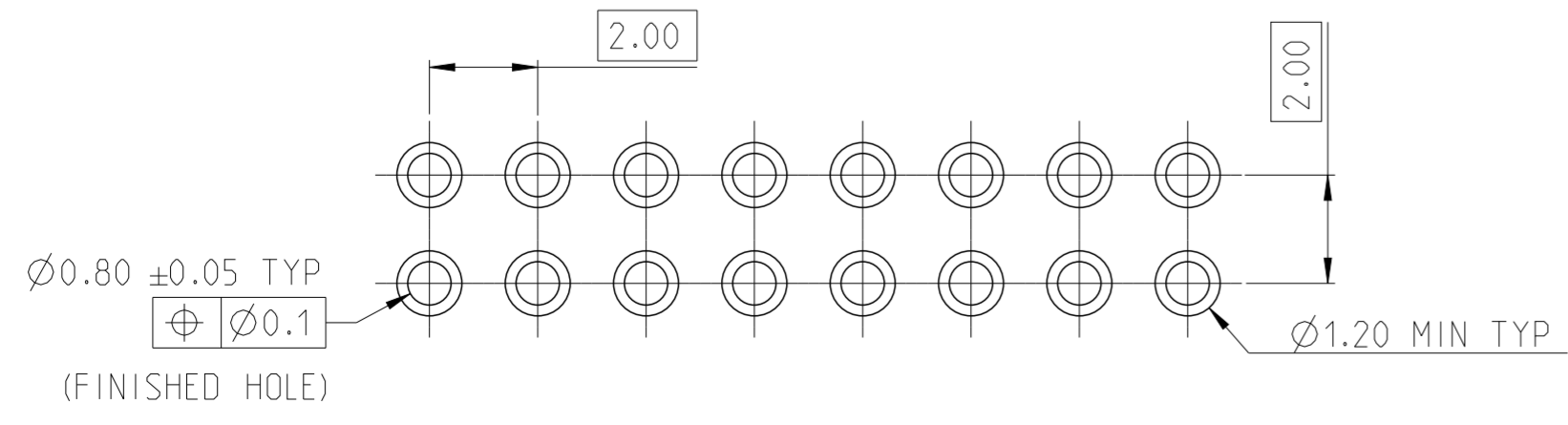
REVISIONS				
P	LTR	DESCRIPTION	DATE	APVD
	A	RELEASE TO PRODUCTION	09DEC2019	AY PS



- NOTES:
- MATERIAL  
HOUSING & P&P CAP : HIGH TEMPERATURE THERMOPLASTIC, UL94-V0; COLOR- BLACK  
POST : COPPER ALLOY  
FINISH : MIN. 2.0 µm TIN OVER NICKEL UNDER PLATING.
  - PACKAGING: TAPE AND REEL (WITH PICK AND PLACE CAP)
- △ TOLERANCE NOT CUMULATIVE.



RECOMMENDED PCB HOLE PATTERN FOR THROUGH HOLE WAVE



RECOMMENDED PCB HOLE PATTERN FOR THROUGH HOLE REFLOW /PIN-IN-PASTE

2-2842305-0 AS SHOWN

44	50.85	52.65	50	5-2842305-0
38	44.85	46.65	44	4-2842305-4
34	40.85	42.65	40	4-2842305-0
28	34.85	36.65	34	3-2842305-4
24	30.85	32.65	30	3-2842305-0
20	26.85	28.65	26	2-2842305-6
18	24.85	26.65	24	2-2842305-4
14	20.85	22.65	20	2-2842305-0
10	16.85	18.65	16	1-2842305-6
8	14.85	16.65	14	1-2842305-4
DIM "G"	DIM "F"	DIM "E"	POS.	TE PN.

THIS DRAWING IS A CONTROLLED DOCUMENT.		DWN ANKIT YADAV 12NOV2019	TE Connectivity	
DIMENSIONS: mm		CHK KARTHIK JK 25NOV2019		
TOLERANCES UNLESS OTHERWISE SPECIFIED:		APVD PRASHANTH S. 27NOV2019	NAME AMPMODU 2mm SHROUDED HEADER, DUAL ROW, VERTICAL TH. SN, T/R, WITH PICK AND PLACE CAP	
0 PLC ±	1 PLC ±	PRODUCT SPEC 108-64040	SIZE A2	CAGE CODE 00779
2 PLC ±0.25	3 PLC ±	APPLICATION SPEC 114-32259	DRAWING NO C-2842305	RESTRICTED TO -
4 PLC ±	ANGLES ±°	WEIGHT -	SCALE 5:1	SHEET 1 OF 1
FINISH -	-	CUSTOMER DRAWING	REV A	

DESCRIPTION	ITEM NO.
PICK AND PLACE CAP	3
CONTACT PIN	2
HOUSING	1