

## Isolation amplifier - MINI MCR-2-NAM-2RO-PT - 2902005

Please be informed that the data shown in this PDF Document is generated from our Online Catalog. Please find the complete data in the user's documentation. Our General Terms of Use for Downloads are valid (<http://phoenixcontact.com/download>)



Configurable NAMUR signal conditioner with plug-in connection technology for proximity sensors, floating switch contacts, and switch contacts with resistance circuit. 2 transistor outputs. Configurable via DIP switch. Push-in connection technology.

### Product Description

Configurable NAMUR 4-way signal conditioner with plug-in connection technology for operating proximity sensors according to EN 60947-5-6, floating switch contacts, and switch contacts with resistance circuit. Two transistor outputs are available on the output side. The second output can be used either for duplicating signals or for signaling faults on the sensor line. You can configure the signal conditioner via DIP switches. The device supports fault monitoring and NFC communication.

### Why buy this product

- ✓ Floating contacts and contacts with resistance circuit can be connected
- ✓ Power supply possible via the foot element (TBUS)
- ✓ Highly compact isolation amplifier for electrical isolation, amplification, and duplication of proximity sensor signals
- ✓ For proximity sensors according to IEC 60947-5-6 and EN 50227
- ✓ Second output can be used as a duplicator or error signaling output
- ✓ Error indication via diagnostic LED and analog signal
- ✓ N/O contacts at output
- ✓ Input and output signals can be configured via DIP switches
- ✓ 3-way isolation



### Key Commercial Data

Packing unit	1 STK
Weight per Piece (excluding packing)	100.000 g
Custom tariff number	85437090
Country of origin	Germany

### Technical data

#### Note

# Isolation amplifier - MINI MCR-2-NAM-2RO-PT - 2902005

## Technical data

### Note

Utilization restriction	EMC: class A product, see manufacturer's declaration in the download area
-------------------------	---

### Dimensions

Width	6.2 mm
Height	110.5 mm
Depth	120.5 mm

### Ambient conditions

Ambient temperature (operation)	-40 °C ... 70 °C
Ambient temperature (storage/transport)	-40 °C ... 85 °C
Degree of protection	IP20

### Power supply

Nominal supply voltage	24 V DC
Supply voltage range	9.6 V DC ... 30 V DC (The DIN rail bus connector (ME 6,2 TBUS-2 1,5/5-ST-3,81 GN, Order No. 2869728) can be used to bridge the supply voltage. It can be snapped onto a 35 mm DIN rail according to EN 60715))
Typical current consumption	18 mA (24 V DC)
	35 mA (12 V DC)
Power consumption	450 mW (9.6 V DC)

### Connection data

Connection method	Push-in connection
Single conductor/terminal point, solid, with ferrule, min.	0.14 mm <sup>2</sup>
Single conductor/terminal point, solid, with ferrule, max.	2.50 mm <sup>2</sup>
Single conductor/terminal point, solid, without ferrule, min.	0.14 mm <sup>2</sup>
Single conductor/terminal point, solid, without ferrule, max.	2.50 mm <sup>2</sup>
Conductor cross section flexible min.	0.14 mm <sup>2</sup>
Conductor cross section flexible max.	2.5 mm <sup>2</sup>
Min. AWG conductor cross section, flexible	24
Max. AWG conductor cross section, flexible	12
Stripping length	10 mm

### General

No. of channels	1
Status display	Yellow LED (switching output)
	Yellow LED (switching output)
Electrical isolation	Reinforced insulation in accordance with IEC 61010-1
Overvoltage category	II
Degree of pollution	2

# Isolation amplifier - MINI MCR-2-NAM-2RO-PT - 2902005

## Technical data

### General

Rated insulation voltage	300 V (effective)
Test voltage, input/output/supply	3 kV (50 Hz, 1 min.)
Electromagnetic compatibility	Conformance with EMC directive
Noise emission	EN 61000-6-4
Noise immunity	EN 61000-6-2 When being exposed to interference, there may be minimal deviations.
Color	gray
Housing material	PBT
Mounting position	any
Assembly instructions	The T connector can be used to bridge the supply voltage. It can be snapped onto a 35 mm DIN rail according to EN 60715.
Conformance	CE-compliant
ATEX	# II 3 G Ex nA IIC T4 Gc X
UL, USA/Canada	UL 508 Listed
	Class I, Div. 2, Groups A, B, C, D T6
	Class I, Zone 2, Group IIC T6
GL	GL applied for

### EMC data

Designation	Electromagnetic RF field
Standards/regulations	EN 61000-4-3
Designation	Fast transients (burst)
Standards/regulations	EN 61000-4-4
Designation	Conducted interferences
Standards/regulations	EN 61000-4-6

### Standards and Regulations

Electromagnetic compatibility	Conformance with EMC directive
Noise emission	EN 61000-6-4
Standards/regulations	EN 61000-4-2
Designation	Electromagnetic RF field
Standards/regulations	EN 61000-4-3
	EN 61000-4-4
	EN 61000-4-5
Designation	Conducted interferences
Standards/regulations	EN 61000-4-6
Electrical isolation	Reinforced insulation in accordance with IEC 61010-1
Conformance	CE-compliant
ATEX	# II 3 G Ex nA IIC T4 Gc X

# Isolation amplifier - MINI MCR-2-NAM-2RO-PT - 2902005

## Technical data

### Standards and Regulations

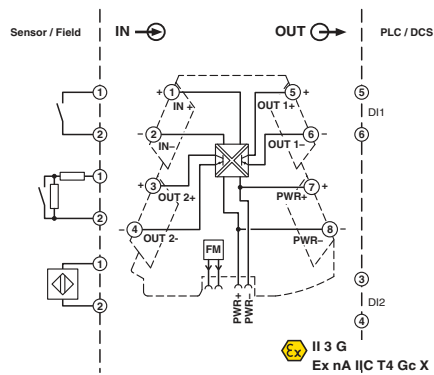
UL, USA/Canada	UL 508 Listed
	Class I, Div. 2, Groups A, B, C, D T6
	Class I, Zone 2, Group IIC T6
GL	GL applied for

## Drawings

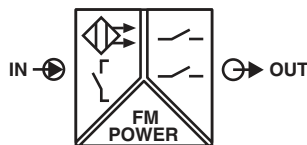
### Pictogram



### Block diagram



### Pictogram



## Classifications

eCl@ss

eCl@ss 4.0	27210120
eCl@ss 4.1	27210120

# Isolation amplifier - MINI MCR-2-NAM-2RO-PT - 2902005

## Classifications

### eCl@ss

eCl@ss 5.0	27210120
eCl@ss 5.1	27210120
eCl@ss 6.0	27210120
eCl@ss 7.0	27210120
eCl@ss 8.0	27210121
eCl@ss 9.0	27210121

### ETIM

ETIM 3.0	EC001485
ETIM 4.0	EC001446
ETIM 5.0	EC001485

### UNSPSC

UNSPSC 6.01	30211506
UNSPSC 7.0901	39121008
UNSPSC 11	39121008
UNSPSC 12.01	39121008
UNSPSC 13.2	39121008

## Approvals

### Approvals

---

#### Approvals

UL Listed / cUL Listed / cULus Listed


---

#### Ex Approvals

UL Listed / cUL Listed / cULus Listed


---

### Approval details

UL Listed  <a href="http://database.ul.com/cgi-bin/XYV/template/LISEXT/1FRAME/index.htm">http://database.ul.com/cgi-bin/XYV/template/LISEXT/1FRAME/index.htm</a> FILE E 238705
---

# Isolation amplifier - MINI MCR-2-NAM-2RO-PT - 2902005

## Approvals

cUL Listed  <http://database.ul.com/cgi-bin/XYV/template/LISEXT/1FRAME/index.htm> FILE E 238705

cULus Listed 

## Accessories

### Accessories

### Device marking

Marker for end clamp - UCT-EM (30X5) - 0801505



Marker for end clamp, Sheet, white, unlabeled, can be labeled with: THERMOMARK CARD, BLUEMARK CLED, BLUEMARK LED, TOPMARK LASER, Mounting type: snapped into marker carrier, Lettering field: 30 x 5 mm

Marker for end clamp - UCT-EM (30X5) YE - 0830340



Marker for end clamp, Sheet, yellow, unlabeled, can be labeled with: THERMOMARK CARD, BLUEMARK CLED, BLUEMARK LED, TOPMARK LASER, Mounting type: snapped into marker carrier, Lettering field: 30 x 5 mm

Plastic label - UC-EMLP (15X5) - 0819301



Plastic label, Sheet, white, unlabeled, can be labeled with: BLUEMARK CLED, BLUEMARK LED, Plotter, Mounting type: Adhesive, Lettering field: 15 x 5 mm

## Isolation amplifier - MINI MCR-2-NAM-2RO-PT - 2902005

### Accessories

Plastic label - UC-EMLP (15X5) YE - 0822615



Plastic label, Sheet, yellow, unlabeled, can be labeled with: BLUEMARK CLED, BLUEMARK LED, Plotter, Mounting type: Adhesive, Lettering field: 15 x 5 mm

Plastic label - UC-EMLP (15X5) SR - 0828095



Plastic label, Sheet, silver, unlabeled, can be labeled with: BLUEMARK CLED, BLUEMARK LED, Plotter, Mounting type: Adhesive, Lettering field: 15 x 5 mm

### DIN rail connector

DIN rail bus connectors - ME 6,2 TBUS-2 1,5/5-ST-3,81 GN - 2869728



DIN rail connector for DIN rail mounting. Universal for TBUS housing. Gold-plated contacts, 5-pos.

### Evaluation unit

Monitoring module - MINI MCR-2-FM-RC - 2904504



Fault monitoring module with plug-in connection technology for evaluating and reporting group errors from the FM system and for monitoring the supply voltages. Error reporting via N/O contact. Screw connection technology, standard configuration

Monitoring module - MINI MCR-2-FM-RC-PT - 2904508



Fault monitoring module with plug-in connection technology for evaluating and reporting group errors from the FM system and for monitoring the supply voltages. Error reporting via N/O contact. Push-in connection technology, standard configuration

## Isolation amplifier - MINI MCR-2-NAM-2RO-PT - 2902005

### Accessories

---

#### Labeled device marker

Marker for end clamp - UCT-EM (30X5) CUS - 0801589



Marker for end clamp, can be ordered: by sheet, white, labeled according to customer specifications, Mounting type: snapped into marker carrier, Lettering field: 30 x 5 mm

---

Marker for end clamp - UCT-EM (30X5) YE CUS - 0830348



Marker for end clamp, can be ordered: by sheet, yellow, labeled according to customer specifications, Mounting type: snapped into marker carrier, Lettering field: 30 x 5 mm

---

Plastic label - UC-EMLP (15X5) CUS - 0824550



Plastic label, can be ordered: by sheet, white, labeled according to customer specifications, Mounting type: Adhesive, Lettering field: 15 x 5 mm

---

Plastic label - UC-EMLP (15X5) YE CUS - 0824551



Plastic label, can be ordered: by sheet, yellow, labeled according to customer specifications, Mounting type: Adhesive, Lettering field: 15 x 5 mm

---

Plastic label - UC-EMLP (15X5) SR CUS - 0828099



Plastic label, can be ordered: by sheet, silver, labeled according to customer specifications, Mounting type: Adhesive, Lettering field: 15 x 5 mm

---



## Isolation amplifier - MINI MCR-2-NAM-2RO-PT - 2902005

### Accessories

#### Power module

Power terminal block - MINI MCR-2-PTB - 2902066



Power terminal with plug-in connection technology for delivering the supply voltage to the DIN rail connector. Monitoring of the supply voltages in combination with the fault monitoring module. Screw connection technology

---

Power terminal block - MINI MCR-2-PTB-PT - 2902067



Power terminal with plug-in connection technology for delivering the supply voltage to the DIN rail connector. Monitoring of the supply voltages in combination with the fault monitoring module. Push-in connection technology

---

#### Power supply

Power supply unit - MINI-SYS-PS-100-240AC/24DC/1.5 - 2866983



Primary-switched MINI POWER supply for DIN rail mounting, input: 1-phase, output: 24 V DC/1.5 A

---

#### Terminal marking

Marker strip - SK 5,0 WH:REEL - 0805221



Marker strip, Roll, white, unlabeled, can be labeled with: THERMOMARK ROLL, THERMOMARK X, THERMOMARK S1.1, THERMOMARK ROLL X1, Mounting type: Adhesive, Lettering field: continuous x 5 mm

---

## Isolation amplifier - MINI MCR-2-NAM-2RO-PT - 2902005

### Accessories

DIN rail bus connectors - ME 6,2 TBUS-2 1,5/5-ST-3,81 GY - 2695439



DIN rail connector (TBUS), 5-pos., for bridging the supply voltage, can be snapped onto NS 35/... DIN rails according to EN 60715