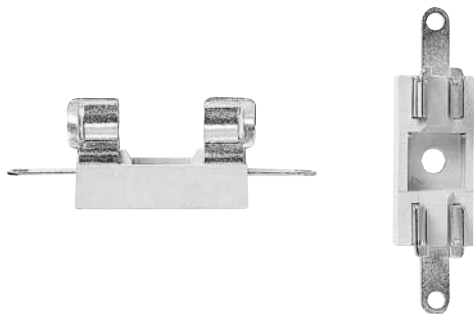


# Fuseblock

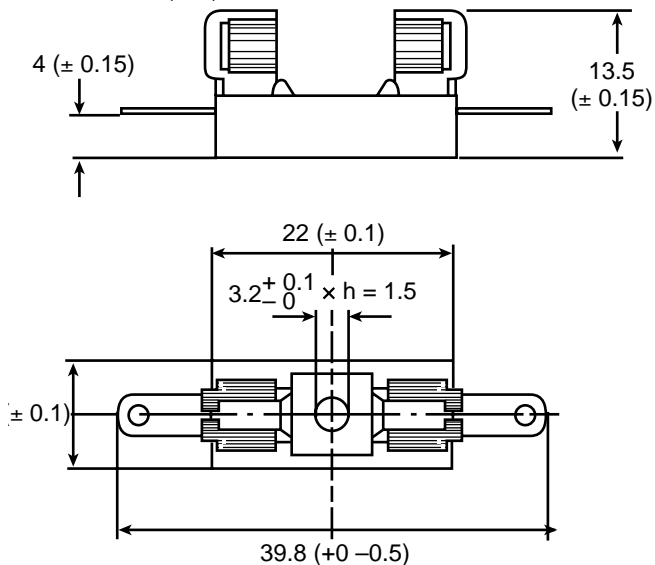
## For 5 × 20mm Fuses

# HTC-10M



**Catalog Symbol:** HTC-10M  
**Voltage Rating:** 250 Volts  
**Ampere Rating:** 6.3 Amperes  
**Base Material:** Beige polyphenylene oxide  
**Flammability:** UL 94-V1  
**Glow Wire Test:** 960°C per IEC 695-2-1  
**Terminals:** Tin-plated brass  
**Agency Approvals:**  
 UL Recognized, File No. E19180  
**Contact Resistance:** ≤10 Mohms  
**Insulation Resistance:** ≥10 Mohms  
**Dielectric Strength:** ≥2500V

**Dimensions (mm)**



The only controlled copy of this BIF document is the electronic read-only version located on the Bussmann Network Drive. All other copies of this BIF document are by definition uncontrolled. This bulletin is intended to clearly present comprehensive product data and provide technical information that will help the end user with design applications. Bussmann reserves the right, without notice, to change design or construction of any products and to discontinue or limit distribution of any products. Bussmann also reserves the right to change or update, without notice, any technical information contained in this bulletin. Once a product has been selected, it should be tested by the user in all possible applications.