

# LCD-2537CB

Mid-Size Flat Panel Ceiling Mount

## Product Features:

Holds 25" – 37" flat panel

Mast telescopes from 18" – 30"

Accommodates panel with 75, 100, 200 and 100 x 200 mm VESA hole patterns

Adjustable -5° to +20° tilt

Rotates 360° (ceiling) / Rotates 240° (panel)

Clip based cable management system

Load capacity 75 lbs

Black powder coat finish

Available in silver powder coat finish (LCD-2537C)

## Product Specifications:

*(for Architects & Engineers)*

The ceiling mount for the flat panel shall be the Video Mount Products (VMP) model LCD-2537C. The mount shall be constructed primarily of tubular steel and shall incorporate nylon filled nuts and arc welds. The mount shall be a universal style mount capable of mounting to all 25" - 37" flat panels that incorporate VESA 75, 100, 100x200, or 200 standard hole patterns and not necessarily model be specific. The mount shall include one plate with VESA 75mm and 100mm and another plate with VESA 100x200mm and 200mm hole patterns. The mount shall include a cable management system. The mount shall include a telescoping mast that adjusts from 18" to 30" from the ceiling. The mount must allow for adjustable tilt from -5° to 30° and must swivel 360°.

The load capacity shall be 75 lbs.

## Video Mount Products

345 Log Canoe Circle

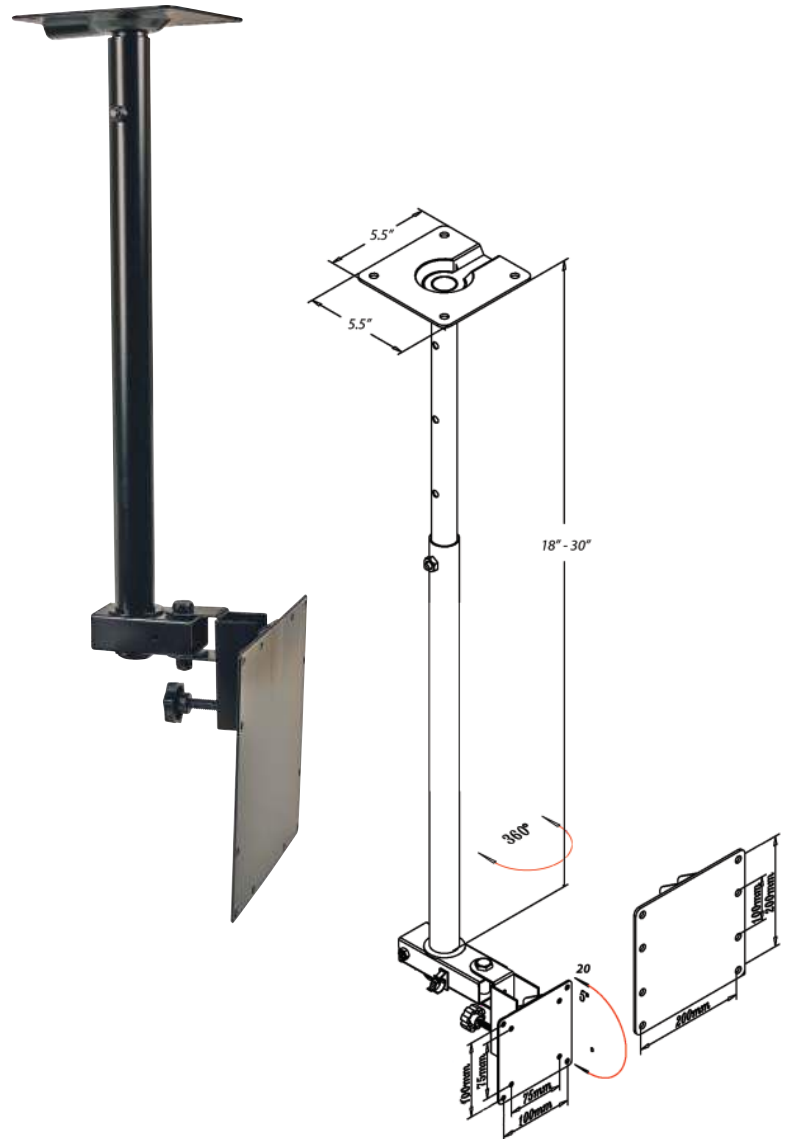
Stevensville, MD 21666

Toll Free: 877.281.2169

Telephone: 410.643.6390

Facsimile: 410.643.6615

[www.videomount.com](http://www.videomount.com)



**VMP**  
VIDEO MOUNT PRODUCTS