

# ME 22,5 UTG/FE TBUS KMGY - Mounting base housing



2202680

<https://www.phoenixcontact.com/pc/products/2202680>

Please be informed that the data shown in this PDF document is generated from our online catalog. Please find the complete data in the user documentation. Our general terms of use for downloads are valid.



DIN rail housing, Lower housing part with metal foot catch, with FE contact, tall design, without vents, width: 22.6 mm, height: 99 mm, depth: 107.3 mm, color: light grey (7035), cross connection: DIN rail connector (optional), number of positions cross connector: 5

## Your advantages

- Tool-free mounting
- Available in overall widths from 12.5 mm to 90 mm, modular extension possible
- Flammability rating V0 in accordance with UL 94
- Variety of connection technology
- Can be mounted on the DIN rail
- With integrated or DIN-rail-mountable bus connector as an option

## Commercial data

Item number	2202680
Packing unit	10 pc
Minimum order quantity	10 pc
Note	Made to order (non-returnable)
Product key	ACHAAC
GTIN	4055626169835
Weight per piece (including packing)	42.45 g
Weight per piece (excluding packing)	42 g
Customs tariff number	85389099
Country of origin	DE

# ME 22,5 UTG/FE TBUS KMGY - Mounting base housing

2202680

<https://www.phoenixcontact.com/pc/products/2202680>

## Technical data

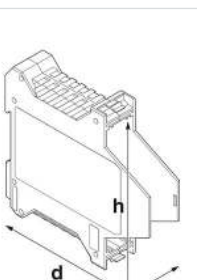
### Notes

General	Refer to the data sheet for the range in the download area.
General	Material of contact pads for bus connector, galvanic gold (hard gold)

### Product properties

Type	Lower housing parts without vents, housing cover necessary to complete the module
Product type	Enclosure bottom part
Product family	ME UTG FE TBUS
Number of positions	16 4
Type	Lower housing part with metal foot catch, with FE contact, tall design
Housing type	DIN rail housing
Ventilation openings present	no
Housing series	ME

### Dimensions

Dimensional drawing	
Width	22.6 mm
Height	99 mm
Depth	107.3 mm
Depth from top edge of DIN rail	100.7 mm
Depth from top edge of DIN rail to support point on upper part	68.5 mm
PCB design	
PCB thickness	1.4 mm ... 1.8 mm

### Material specifications

Color	light grey (7035)
Flammability rating according to UL 94	V0
CTI according to IEC 60112	600
Surface characteristics	untreated
Housing material	Polyamide

# ME 22,5 UTG/FE TBUS KMGY - Mounting base housing



2202680

<https://www.phoenixcontact.com/pc/products/2202680>

## Environmental and real-life conditions

### Power dissipation single housing for 20 °C

Ambient temperature	20 °C
Reduction factor	1
Mounting position	vertical
Power dissipation	5.7 W

### Power dissipation single housing for 30 °C

Ambient temperature	30 °C
Reduction factor	0.91
Mounting position	vertical
Power dissipation	5.2 W

### Power dissipation single housing for 40 °C

Ambient temperature	40 °C
Reduction factor	0.81
Mounting position	vertical
Power dissipation	4.6 W

### Power dissipation single housing for 50 °C

Ambient temperature	50 °C
Reduction factor	0.7
Mounting position	vertical
Power dissipation	4 W

### Power dissipation single housing for 60 °C

Ambient temperature	60 °C
Reduction factor	0.57
Mounting position	vertical
Power dissipation	3.25 W

### Power dissipation single housing for 70 °C

Ambient temperature	70 °C
Reduction factor	0.49
Mounting position	vertical
Power dissipation	2.8 W

### Vibration test

Specification	IEC 60068-2-6:2007-12
Frequency	10 - 150 - 10 Hz
Sweep speed	1 octave/min
Amplitude	0.15 mm (10 Hz ... 58.1 Hz)
Acceleration	2g (58.1 Hz ... 150 Hz)
Test duration per axis	2.5 h
Test directions	X-, Y- and Z-axis

# ME 22,5 UTG/FE TBUS KMGY - Mounting base housing



2202680

<https://www.phoenixcontact.com/pc/products/2202680>

## Glow-wire test

Specification	IEC 60695-2-11:2014-02
Temperature	850 °C
Time of exposure	30 s

## Thermal stability / ball thrust test

Specification	IEC 60695-10-2:2014-02
Temperature	125 °C
Test duration	1 h
Force	20 N

## Mechanical strength / tumbling barrel

Specification	IEC 60998-1:2002-12
Height of fall	50 cm
Frequency	10

## Shocks

Specification	IEC 60068-2-27:2008-02
Pulse shape	Half-sine
Acceleration	15g
Shock duration	11 ms
Number of shocks per direction	3
Test directions	X-, Y- and Z-axis (pos. and neg.)

## Degree of protection (IP code)

Specification	IEC 60529:1989-11 + AMD 1:1999-11 + AMD 2:2013-08
---------------	---

## Ambient conditions

Max. IP code to attain	IP20
Ambient temperature (operation)	-40 °C ... 105 °C (depending on power dissipation)
Ambient temperature (storage/transport)	-40 °C ... 55 °C
Ambient temperature (assembly)	-5 °C ... 100 °C
Relative humidity (storage/transport)	80 %

## PCB data

Number of PCB holders	1
Type of PCB mount	Insertion (optional latching by PCB stop)
Thickness of the PCB	1.4 mm ... 1.8 mm

## Mounting

Mounting type	DIN rail mounting
Mounting position	Vertical (horizontal DIN rail)

## Packaging specifications

Type of packaging	packed in cardboard
Outer packaging type	Carton

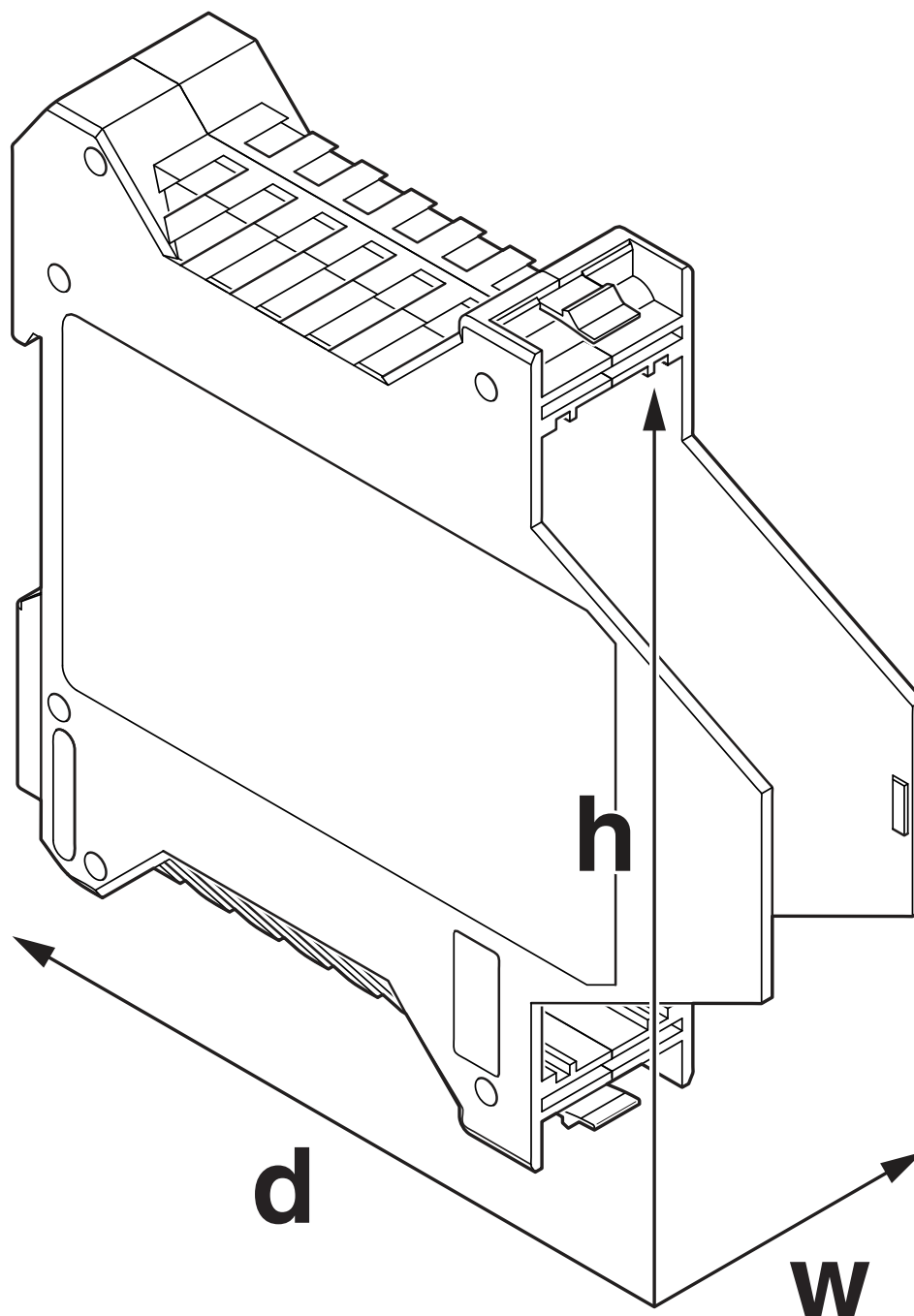
# ME 22,5 UTG/FE TBUS KMGY - Mounting base housing

2202680

<https://www.phoenixcontact.com/pc/products/2202680>

## Drawings

Dimensional drawing



Schematic figure for illustrating the item dimensions. The figure is not of the desired product. For further details, refer to the product drawings in the "Downloads" tab.

# ME 22,5 UTG/FE TBUS KMGY - Mounting base housing



2202680

<https://www.phoenixcontact.com/pc/products/2202680>

## Approvals

To download certificates, visit the product detail page: <https://www.phoenixcontact.com/pc/products/2202680>



**UL Recognized**

Approval ID: FILE E 240868

# ME 22,5 UTG/FE TBUS KMGY - Mounting base housing



2202680

<https://www.phoenixcontact.com/pc/products/2202680>

## Classifications

### ECLASS

ECLASS-11.0	27182702
ECLASS-13.0	27190601

### ETIM

ETIM 8.0	EC001031
----------	----------

### UNSPSC

UNSPSC 21.0	31261500
-------------	----------

# ME 22,5 UTG/FE TBUS KMGY - Mounting base housing



2202680

<https://www.phoenixcontact.com/pc/products/2202680>

## Environmental product compliance

China RoHS	Environmentally friendly use period: unlimited = EFUP-e
	No hazardous substances above threshold values



# ME 22,5 UTG/FE TBUS KMGY - Mounting base housing

2202680

<https://www.phoenixcontact.com/pc/products/2202680>

## Mandatory accessories

### ME 22,5 OT-MSTBO KMGY - Upper part of housing

2907761

<https://www.phoenixcontact.com/pc/products/2907761>

DIN rail housing, Upper housing part for connectors with header, width: 22.6 mm, height: 99 mm, depth: 45.85 mm, color: light grey (7035)



---

### ME 22,5 OT-FKDSO KMGY - Upper part of housing

2200323

<https://www.phoenixcontact.com/pc/products/2200323>

DIN rail housing, Upper housing part for PCB terminal blocks with Push-in spring connection, width: 22.6 mm, height: 99 mm, depth: 45.85 mm, color: light grey (7035)



# ME 22,5 UTG/FE TBUS KMGY - Mounting base housing

2202680

<https://www.phoenixcontact.com/pc/products/2202680>

## ME 22,5 OT-MKDSO KMGY - Upper part of housing

2908469

<https://www.phoenixcontact.com/pc/products/2908469>

DIN rail housing, Upper housing part for PCB terminal blocks with screw connection, width: 22.6 mm, height: 99 mm, depth: 45.85 mm, color: light grey (7035)



---

## ME 22,5 OTU-MKDSO KMGY - Upper part of housing

2278953

<https://www.phoenixcontact.com/pc/products/2278953>

DIN rail housing, Upper housing part for PCB terminal blocks with screw connection, width: 22.6 mm, height: 99 mm, depth: 45.85 mm, color: light grey (7035)



# ME 22,5 UTG/FE TBUS KMGY - Mounting base housing

2202680

<https://www.phoenixcontact.com/pc/products/2202680>

## ME 22,5 OT-1MSTBO KMGY - Upper part of housing

2914877

<https://www.phoenixcontact.com/pc/products/2914877>

DIN rail housing, Upper housing part for connectors with header, width: 22.6 mm, height: 99 mm, depth: 45.85 mm, color: light grey (7035)



---

## ME 22,5 OT-3MSTBO KMGY - Upper part of housing

2914880

<https://www.phoenixcontact.com/pc/products/2914880>

DIN rail housing, Upper housing part for connectors with header, width: 22.6 mm, height: 102 mm, depth: 60.15 mm, color: light grey (7035)



# ME 22,5 UTG/FE TBUS KMGY - Mounting base housing

2202680

<https://www.phoenixcontact.com/pc/products/2202680>

## ME 22,5 OTP-MSTBO PS KMGY - Upper part of housing

2279282

<https://www.phoenixcontact.com/pc/products/2279282>

DIN rail housing, Upper housing part for connectors with header, width: 22.6 mm, height: 99 mm, depth: 45.85 mm, color: light grey (7035)



---

## Accessories

### ME LPZS - PCB stop

2906911

<https://www.phoenixcontact.com/pc/products/2906911>

DIN rail housing, after approx. 4 cm, the ME LPZS PCB pull-out stop prevents the PCB from being removed completely and locks the PCB in place



# ME 22,5 UTG/FE TBUS KMGY - Mounting base housing

2202680

<https://www.phoenixcontact.com/pc/products/2202680>

## ME DH 27 NS 35 KMGY - Spacer

2706289

<https://www.phoenixcontact.com/pc/products/2706289>

Spacer, for protecting the input and output contacts for NS 35 DIN rails



---

## ME DH 36 NS 35 KMGY - Spacer

2706292

<https://www.phoenixcontact.com/pc/products/2706292>

Spacers, for protection of the input or output contacts for DIN rail NS 35, width [B] 36 mm



# ME 22,5 UTG/FE TBUS KMGY - Mounting base housing

2202680

<https://www.phoenixcontact.com/pc/products/2202680>

## ME B-SA/NS 35 KMGY - Cover

2706700

<https://www.phoenixcontact.com/pc/products/2706700>

Terminal cover, 1 strip covers up to 12 terminal points, for ME-BUS male side, (female side)



---

## EML (44X72)R-ME - Label for ME ... UT ... TBUS ... housing

0828143

<https://www.phoenixcontact.com/pc/products/0828143>



Label for ME ... UT ... TBUS ... housing, Roll, white, unlabeled, can be labeled with: THERMOMARK ROLLMASTER 300/600, THERMOMARK X1.2, THERMOMARK ROLL X1, THERMOMARK ROLL 2.0, THERMOMARK ROLL, mounting type: adhesive, lettering field size: 44 x 72 mm, Number of individual labels: 200

# ME 22,5 UTG/FE TBUS KMGY - Mounting base housing

2202680

<https://www.phoenixcontact.com/pc/products/2202680>

## ME 22,5 TBUS 1,5/ 5-ST-3,81 KMGY - DIN rail bus connectors

2713722

<https://www.phoenixcontact.com/pc/products/2713722>



DIN rail connector, color: light grey, nominal current: 8 A (parallel contacts), rated voltage (III/2): 125 V, contact surface: Gold, number of positions: 5, pitch: 3.81 mm, mounting: DIN rail mounting, locking: without, mounting: without, type of packaging: packed in cardboard, Item with gold-plated contacts, bus connectors for connecting with electronics housings, 5 parallel contacts

---

## ME 22,5 TBUS 1,5/4P1S KMGY - DIN rail bus connectors

2201732

<https://www.phoenixcontact.com/pc/products/2201732>



DIN rail connector, color: light grey, nominal current: 8 A, 8 A (parallel contacts) (Serial contacts), rated voltage (III/2): 50 V, number of positions: 5, pitch: 3.81 mm, mounting: DIN rail mounting, locking: without, mounting: without, Item with gold-plated contacts, bus connectors for connecting with electronics housings, 4 parallel contacts/1 serial contact

# ME 22,5 UTG/FE TBUS KMGY - Mounting base housing



2202680

<https://www.phoenixcontact.com/pc/products/2202680>

## ME 22,5 TBUS ADAPTER KMGY - DIN rail bus connectors

2201756

<https://www.phoenixcontact.com/pc/products/2201756>

DIN rail bus adapter for ME and ME-MAX, design width: 22.5 mm, 5 parallel positions, color: light gray (similar to RAL 7035)



---

Phoenix Contact 2023 © - all rights reserved

<https://www.phoenixcontact.com>

PHOENIX CONTACT GmbH & Co. KG

Flachsmarktstraße 8

D-32825 Blomberg

+49 (0) 5235-3 00

[info@phoenixcontact.com](mailto:info@phoenixcontact.com)