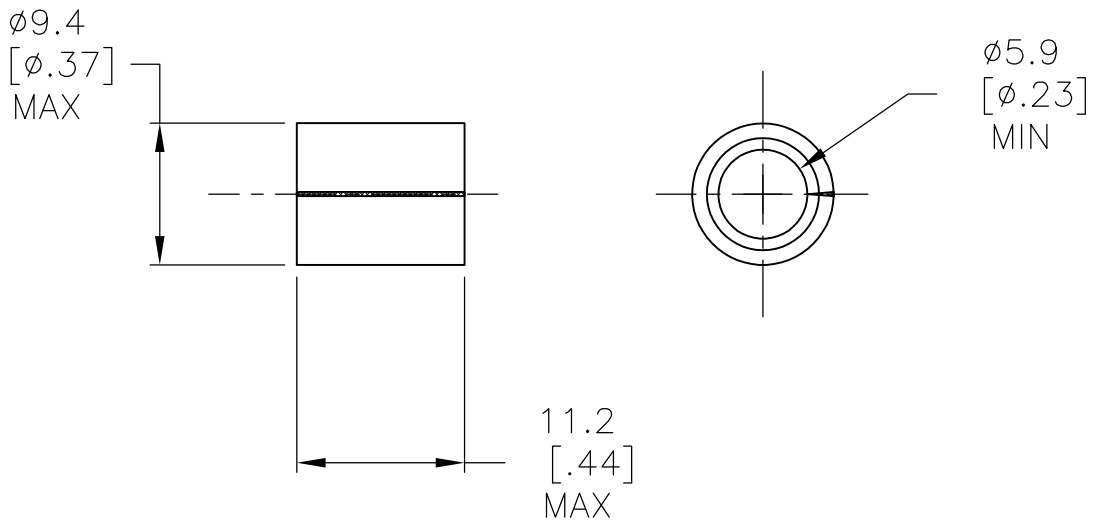


REVISIONS					
P	LTR	DESCRIPTION	DATE	DWN	APVD
	A	REVISED PER ECO-16-001437	02FEB2016	NK	DR



REFERENCE : 136311-2

RELEASED FOR PUBLICATION

ALL RIGHTS RESERVED.

THIS DRAWING IS UNPUBLISHED.

By -  
COPYRIGHT -

DIMENSIONS: mm [INCHES]	DWN	02FEB2016	MATERIAL	COPPER	FINISH	NICKEL						
	CHK	02FEB2016	TE Connectivity									
TOLERANCES UNLESS OTHERWISE SPECIFIED: 0 PLC ± - 1 PLC ± - 2 PLC ± 0.3[.012] 3 PLC ± - 4 PLC ± - ANGLES ± 5°	APVD	02FEB2016					NAME SOLISTRAND STRATO-THERM SPLICE 6 AWG					
	PRODUCT SPEC		SIZE	A4	CAGE CODE	00779	DRAWING NO	C-136311	RESTRICTED TO	-		
	APPLICATION SPEC		CUSTOMER DRAWING				SCALE	2:1	SHEET	1 OF 1	REV	A
	WEIGHT											

