

THIS DRAWING IS UNPUBLISHED.

RELEASED FOR PUBLICATION

© COPYRIGHT - By -

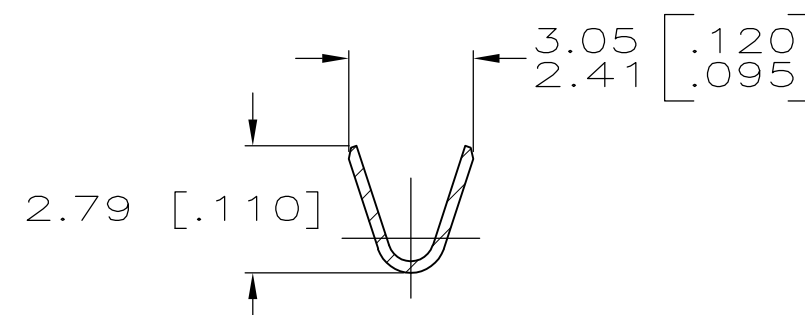
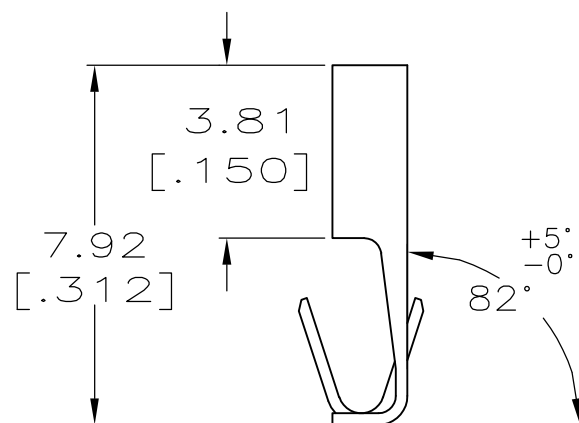
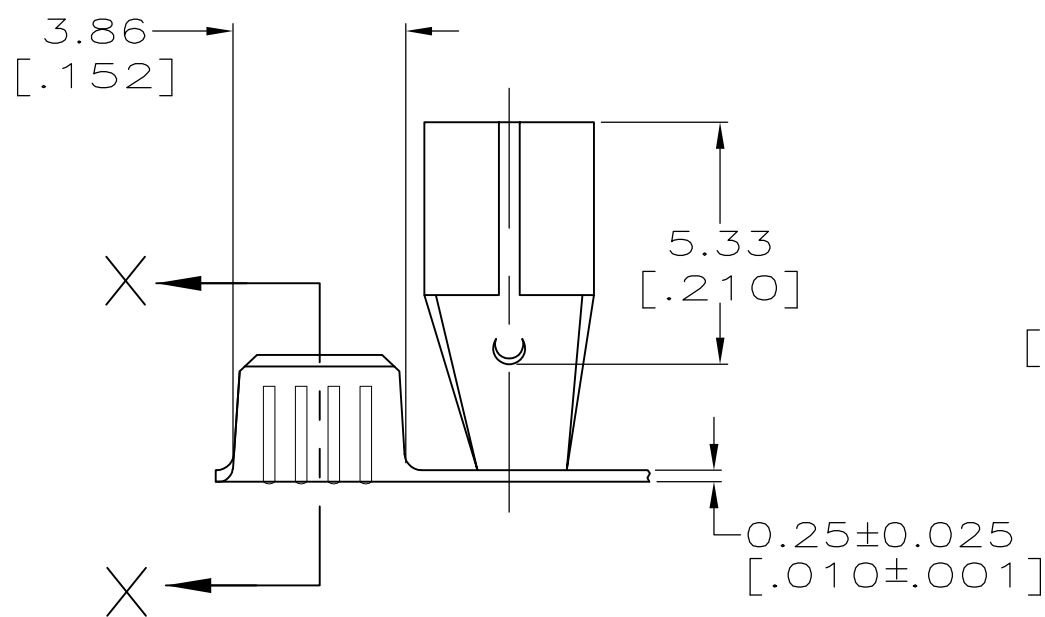
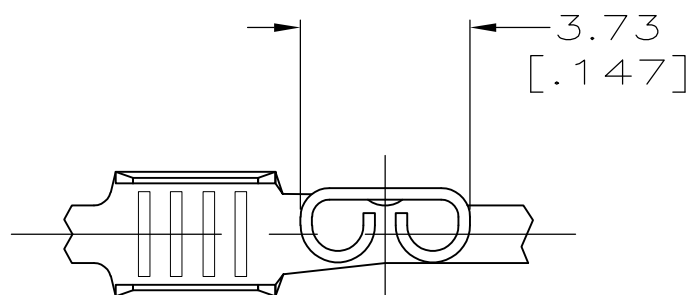
ALL RIGHTS RESERVED.

LOC AF DIST 50

REVISIONS


P	LTR	DESCRIPTION	DATE	DWN	APVD
B		REVISED PER ECR-12-013518	24NOV12	KH	PD

- 1 CONTINUOUS STRIP ON REELS.
- 2 MATING TAB THK IS 0.38 ± 0.025 [.015 ± .001]
- 3 WIRE SIZE IS [#22-#16] AWG.



SECTION X-X

63990-1
PART NO.

THIS DRAWING IS A CONTROLLED DOCUMENT.		DWN JR RUTH 08APR99	 TE Connectivity											
DIMENSIONS: mm [INCHES]		CHK MS FEHER 08APR99				NAME RECEPTACLE, FASTON, FLAG, 2.54 [.110] SERIES								
TOLERANCES UNLESS OTHERWISE SPECIFIED:		APVD S HEADER 08APR99												
<table border="1"> <tr><td>0 PLC</td><td>± -</td></tr> <tr><td>1 PLC</td><td>± -</td></tr> <tr><td>2 PLC</td><td>± 0.25 [.010]</td></tr> <tr><td>3 PLC</td><td>± -</td></tr> <tr><td>4 PLC</td><td>± -</td></tr> <tr><td>ANGLES</td><td>± -</td></tr> </table>		0 PLC				± -	1 PLC	± -	2 PLC	± 0.25 [.010]	3 PLC	± -	4 PLC	± -
0 PLC	± -													
1 PLC	± -													
2 PLC	± 0.25 [.010]													
3 PLC	± -													
4 PLC	± -													
ANGLES	± -													
MATERIAL BRASS	FINISH PRE-TIN	APPLICATION SPEC -	SIZE A3	CAGE CODE 00779	DRAWING NO C-63990	RESTRICTED TO -								
CUSTOMER DRAWING			SCALE 5:1	SHEET 1 OF 1	REV B									