

6

5

4

3

2

1

E

E

D

D

C

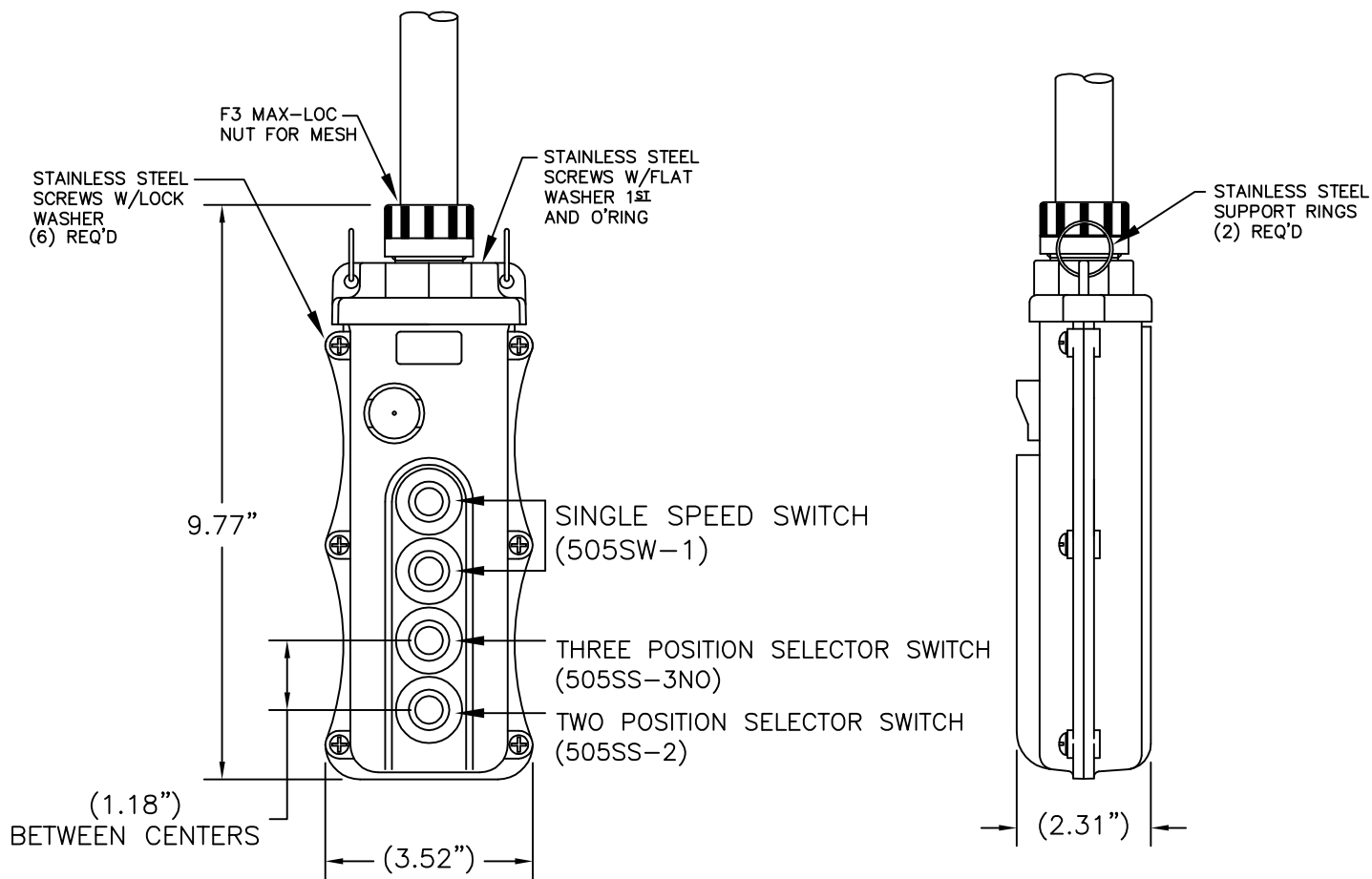
C

B

B

A

A



<b>CUSTOMER DRAWING</b> EC NO: WNA2009-0100 DRWN: TVICKERS 2008/08/08 CHKD: HK 2008/09/08 APPR: SZAFAR 2008/08/13	QUALITY SYMBOLS ▽=0 ∇=0	<b>GENERAL TOLERANCES (UNLESS SPECIFIED)</b>		<b>DIMENSION STYLE</b> ----		SCALE NTS	DESIGN UNITS INCH	<b>THIRD ANGLE PROJECTION</b>		
		4 PLACES ±--- ±---	mm INCH	DRAWN BY <b>TV</b>	DATE <b>2008/08/08</b>	TITLE <b>4 POS PENDANT W/(2) 505SW-1</b>				
		3 PLACES ±--- ±---.005		CHECKED BY <b>HK</b>	DATE <b>2008/08/08</b>	<b>505SS-3NO 505SS-2</b>				
		2 PLACES ±--- ±---.010		APPROVED BY <b>SZ</b>	DATE <b>2008/08/08</b>	<b>MOLEX INCORPORATED</b>				
1 PLACE ±--- ±---.020		ANGULAR ±1/2°		MATERIAL NO. <b>1301260297</b>	DOCUMENT NO. <b>SD-130126-015</b>	SHEET NO. <b>1 OF 1</b>				
<b>DRAFT WHERE APPLICABLE MUST REMAIN WITHIN DIMENSIONS</b>		SIZE <b>A</b>	THIS DRAWING CONTAINS INFORMATION THAT IS PROPRIETARY TO MOLEX INCORPORATED AND SHOULD NOT BE USED WITHOUT WRITTEN PERMISSION							

6

5

4

3

2

1