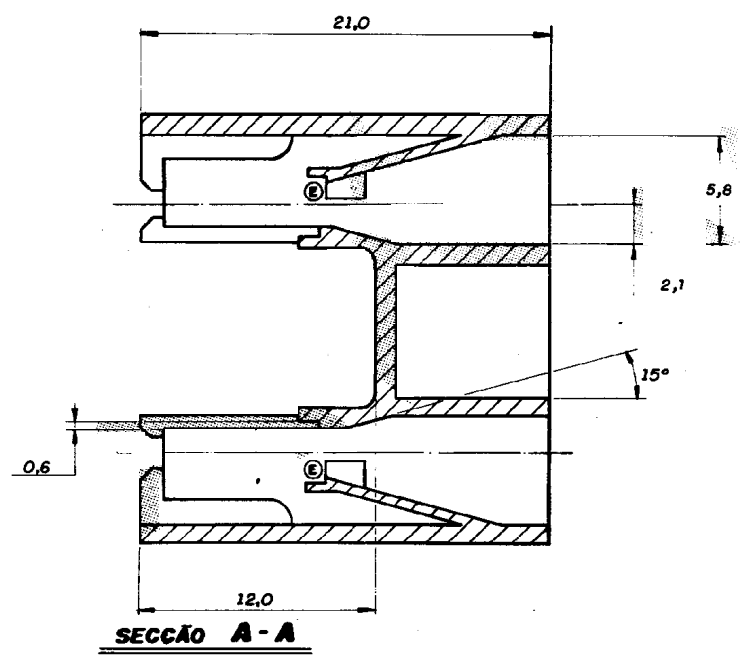
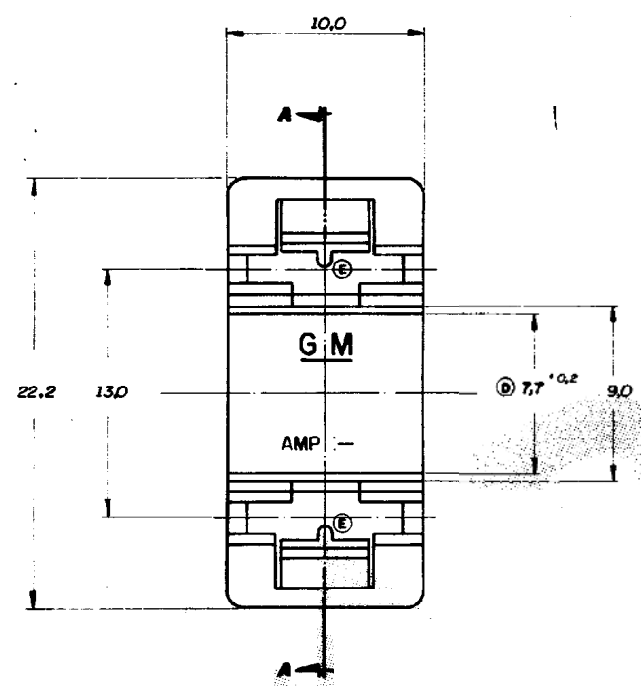


C-881378

REV	DESCRIPTION	DATE	DWN	APVD
F	NEW DRAWING	30SEP2014	NK	TD



**SECCÃO A-A**

PRETO	POLIAMIDA 6/6	881378 -1
FINISH	MATERIAL	PART NUMBER

**CUSTOMER DWG**  
for REFERENCE ONLY  
**DO NOT SCALE**  
DIMENSIONS IN MM.  
3rd ANGLE PROJECTION

TOLERANCES UNLESS OTHERWISE STATED  
DEC. ±0.3  
ANGLES ± 1°  
DWN NAGALAKSHMI K  
CHK DING TIM  
APVD DING TIM

INS. DIA. RANGE	WIRE RANGE	SCALE
/	/	/
<b>TE</b> TE Connectivity		
DESCRIPTION <b>HOUSING, 2 WAY .250 FAST-IN-ON REC.</b>		
<b>A3</b>	SHEET 1 OF 1	DWG NO C-881378
REV	F	

3 CUSTOMER DRAWING

2