



# MiiS Advanced Class Imaging Signal Processing Unit Product Specification

## ISP 1000 and 1010



## ISP 2000



PN: ISP 1000 : For MCMA (OVM6946)

PN: ISP 1010 : MCMF (OCHTA10)

PN: ISP 2000: MCMD (OCHFA10)



# Analog Interface Imaging Sensor

The ISP 1000,ISP 1010 and ISP 2000 offers a cost-effective option for creating a camera control unit system platform .It support OmniVision OVM6946, OCHTA10 ,OCHFA10 Analog interface CMOS sensor and LED string. Output micro USB connector with USB2.0 UVC format.

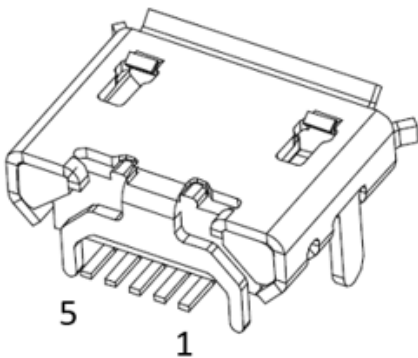
The key value are:

- Cost effective
- Optimized, industry-leading feature set and image quality
- Customer resource optimization allows customer to focus on differentiated post-processing algorithms
- Compact form factor fits into small devices
- Low power: USB powered

## General Specifications

Table 1 Micro USB Connector Pin define Specifications

Pin	Name	Remark
1	+5VDC	Power in
2	Data -	Data
3	Data +	Data
4	ID	GND
5	GND	Power GND

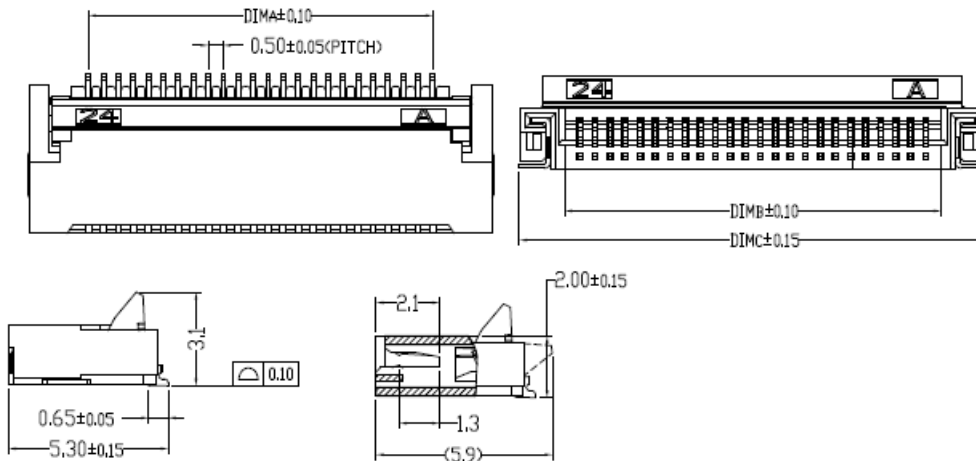


Type:RUSB-5BF023



Table 2 Sensor FPC Connector Pin define Specifications

Pin	Name	Remark	Pin	Name	Remark
1	CLK -	4MHz/24MHz	11	GND -	Power GND
2	3.3VDC	Power out	12	AOUT	Sensor Out
3	NC	NC	13	GND	Power GND
4	LED1+-	LED out	14	KEY2	3.3V level
5	LED- COM	LED out	15	GND	Power GND
6	LED2+	LED out	16	GND	Power GND
7	SCL	3.3V level	17	Plug in	GND
8	3.3VDC	Power out	18	KEY3	3.3V level
9	SDA	3.3V level	19	KEY1	3.3V level
10	GND	Power GND	20	GND	Power GND



DIMA:9.5mm

DIMB:10.52mm

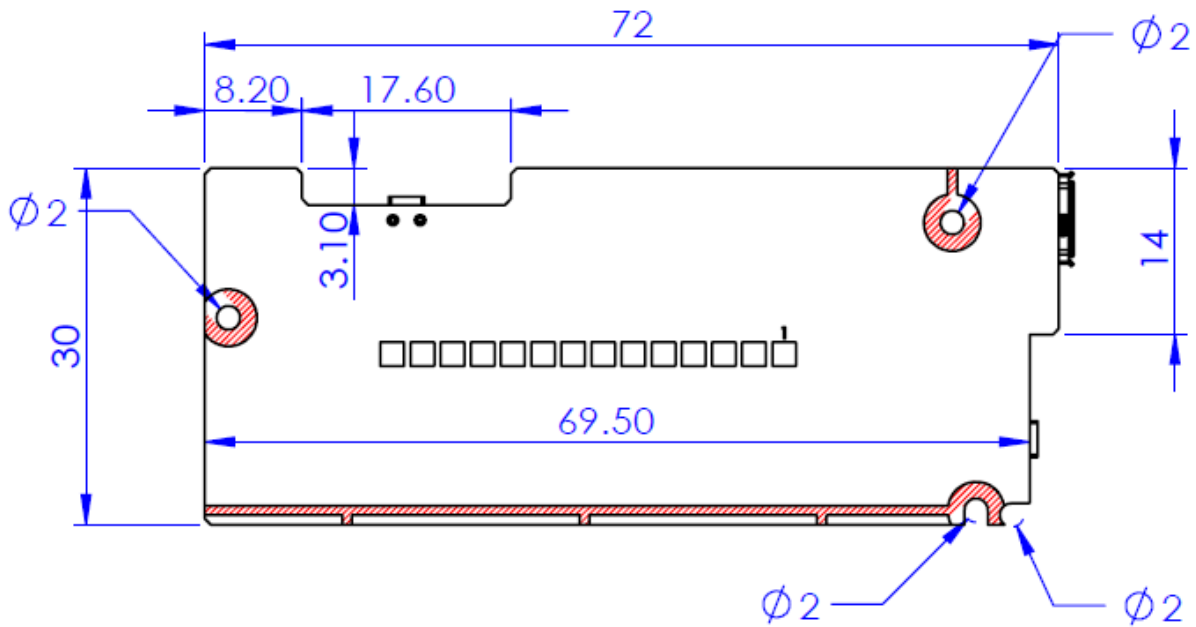
DIMC:13.54

FPC Connector 20P

Type: FPC-05GX-20PWB.



## Mechanical Drawings



**Dimensions 30x72 t=1.0mm**

1. Dimensions are in millimeters.
2. Tolerances unless mentioned are  $\pm 0.1\text{mm}$