

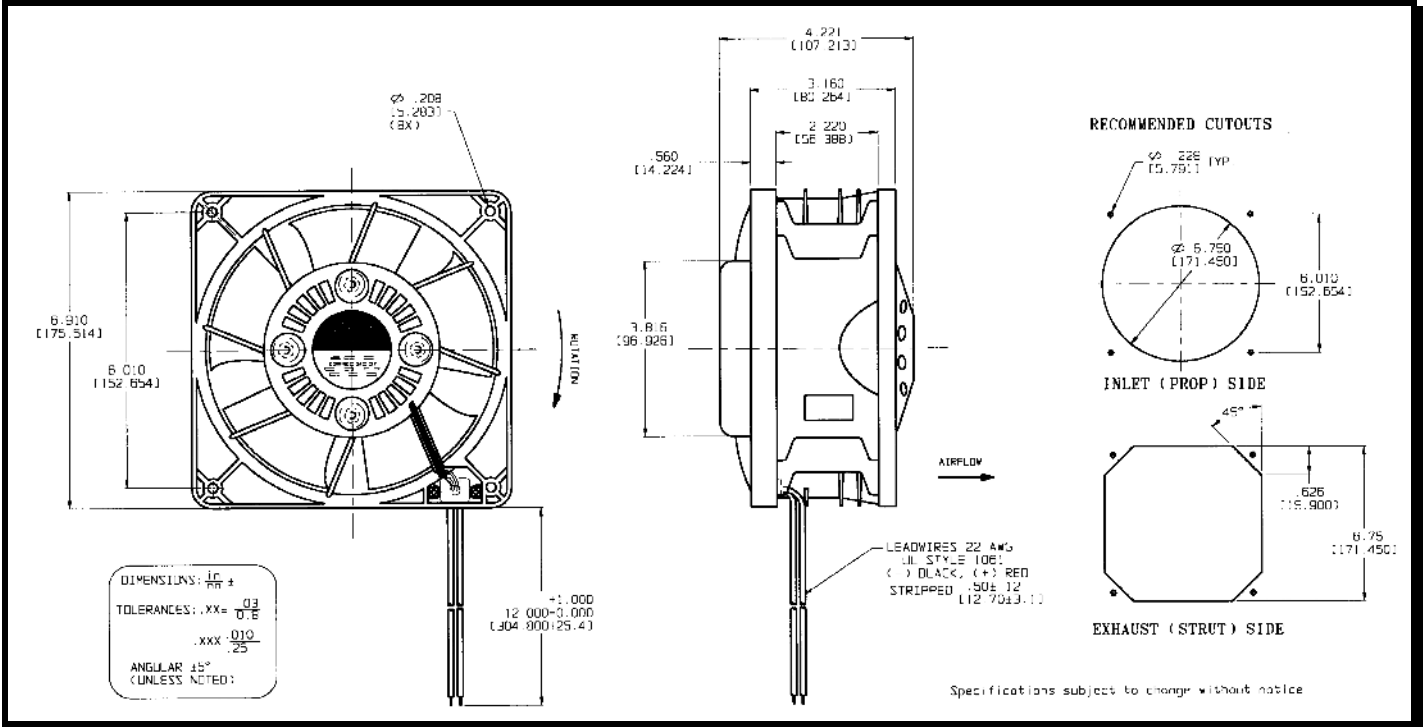
# SPECIFICATIONS



**Model Number:** TD24B1  
**Part Number:** 19031769A

July 31, 2015

## Mechanical Drawing:



### Motor:

Nominal Voltage = 24 vdc  
 Operating Voltage Range = 12 – 28 vdc  
 Nominal Running Current = 1.60 amps  
 Locked Rotor Current = 3.0 amps  
 Running Power = 36.0 watts  
 Average Speed = 3250 rpm  
 Bearings = Ball  
 Air Flow = 325 CFM  
 Acoustic = 65.2 dBA

### Construction:

Venturi: Plastic, Black, UL 94V-0  
 Propeller: Plastic, Black, UL 94V-0

### Life Expectancy:

This fan is designed for continuous duty life of 35,000 hours at 40°C.

### Additional Features:

Brushless DC Motor  
 Polarity Protected  
 Locked Rotor Protection  
 Automatic Restart Capability  
 Operating Temperature: -10°C to 70°C  
 Storage Temperature: -40°C to 85°C

### Termination:

12" Lead wires, AWG 22, UL 1061  
 Red = Power (+)  
 Black = Return (-)

### Agency Approvals:

UL, cUL