

PART NAME

DATA COM CABINET

PART No.

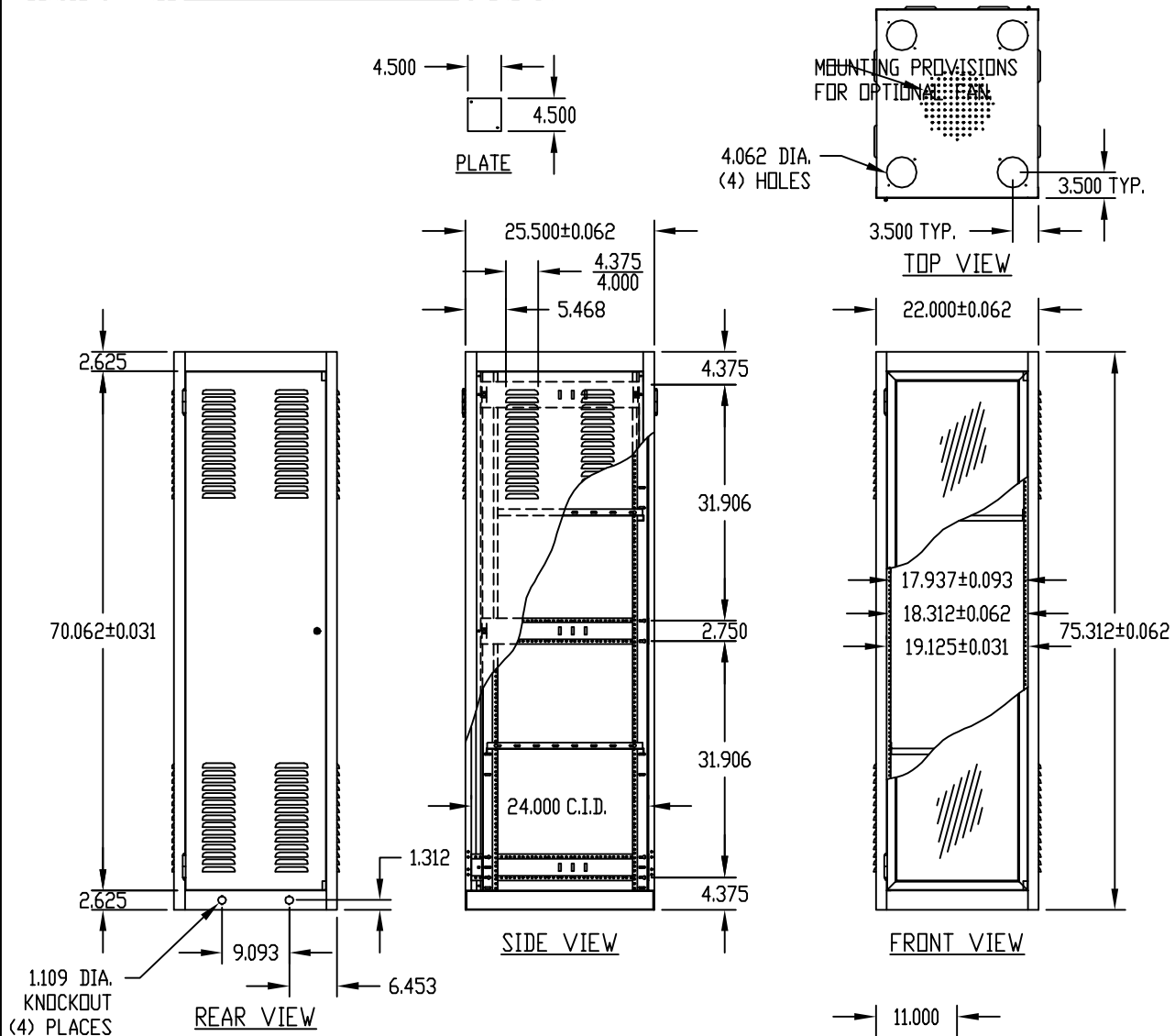
DC-8002

FINISH:

FRAME ASSEMBLY, SIDES, PLATES,
 REAR DOOR AND REAR
 DOOR HINGES _____ SAND TEXTURE
 _____ ROYAL BLUE TEXTURE
 _____ BLACK TEXTURE
 PLEXIGLAS DOOR HINGES _____ METALLIC GRAY
 PANEL MOUNTING RAILS, SHELVES
 AND DOOR STOPS _____ SMOOTH BLACK
 PLEXIGLAS DOOR FRAME _____ CLEAR ANODIZED
 PLEXIGLAS PANEL _____ SMOKE GRAY

MATERIAL:

SIDES AND REAR DOOR _____ 20 GA. STEEL
 REAR DOOR STIFFENER _____ 18 GA. STEEL
 TOP, BOTTOM, RAIL SUPPORTS, SHELVES, PLATES
 AND DOOR STOPS _____ 16 GA. STEEL
 VERTICAL RAILS _____ 14 GA. STEEL
 PANEL MOUNTING RAILS _____ 12 GA. STEEL
 PLEXIGLAS DOOR FRAME _____ ALUMINUM EXTRUSION
 PLEXIGLAS PANEL _____ 3/16" THICK



NOTES:

- ① PANEL MOUNTING RAILS TAPPED #10-32 ON E.I.A. UNIVERSAL SPACING AND ARE FULLY ADJUSTABLE.
- ② MOUNTING HOLES PIERCED IN BASE FOR #RC-7758 CASTERS.
- ③ SHELVES SHIPPED UNASSEMBLED, PACKED IN RACK.
- ④ LOAD RATING: 1200 LBS. MAX.

