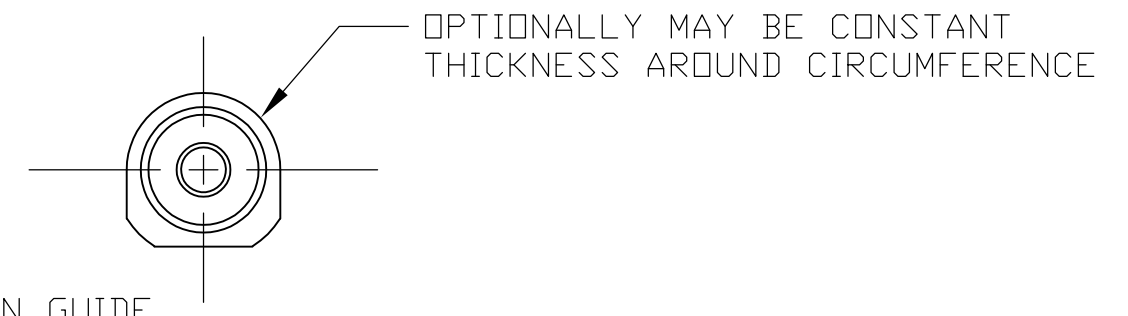
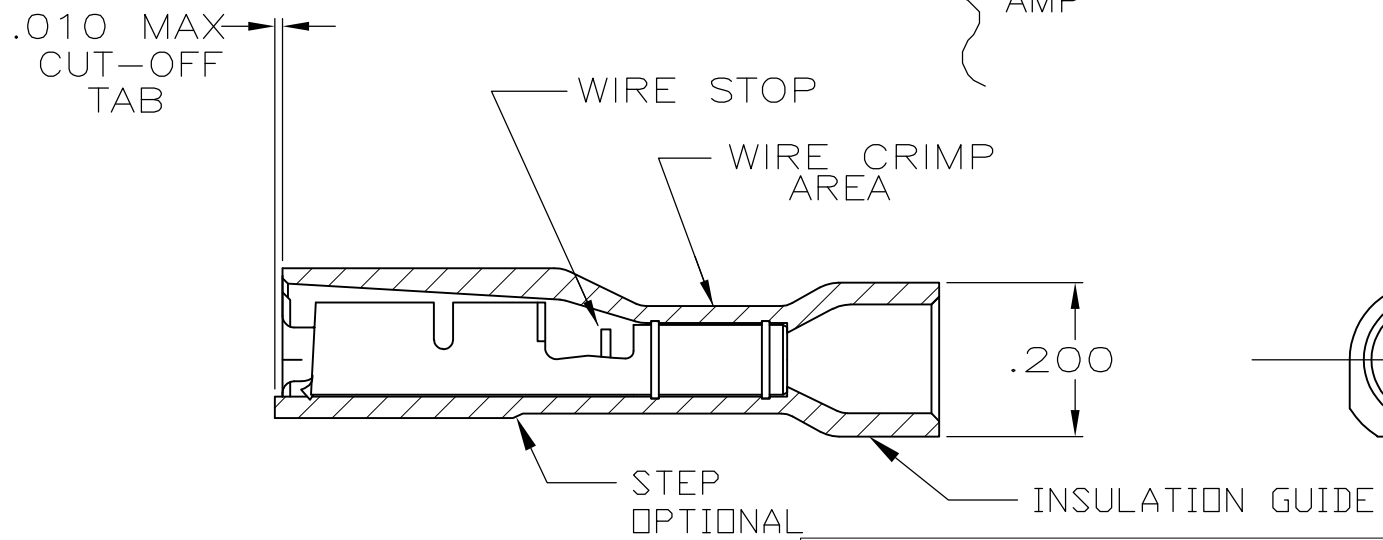
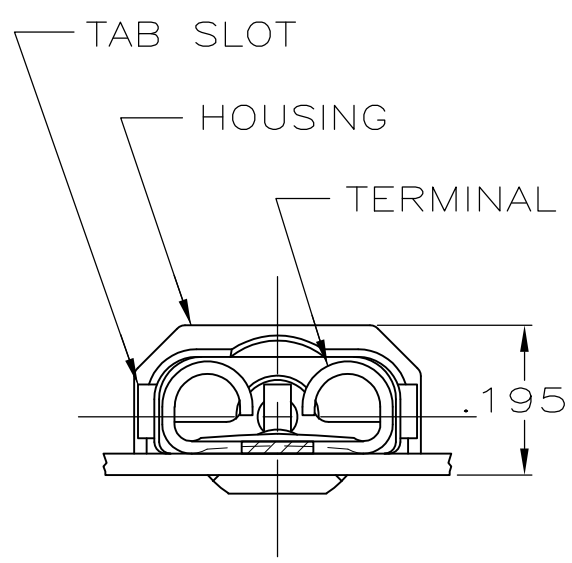
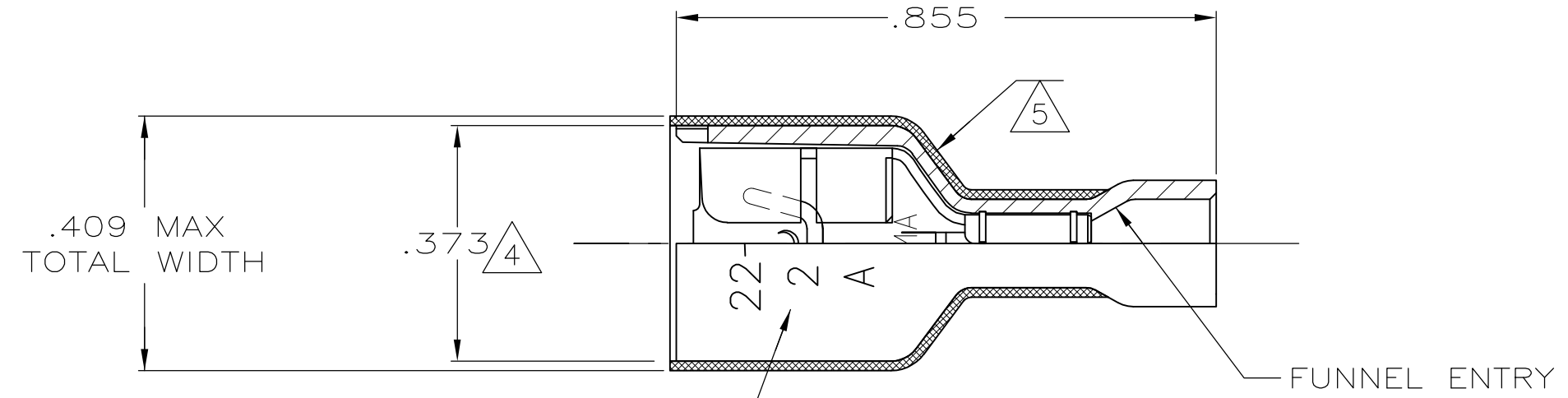


THIS DRAWING IS UNPUBLISHED. RELEASED FOR PUBLICATION
 © COPYRIGHT - By - ALL RIGHTS RESERVED.

| LOC | DIST | REVISIONS | | | |
|-----|------|-------------|---------------------------|---------|----------|
| P | LTR | DESCRIPTION | DATE | DWN | APVD |
| AF | 50 | L1 | REVISED PER ECO-15-008427 | 08JUN15 | JR DH |

- 1 MATES WITH .032±.001x.250 TAB
- 2 WIRE STRIP LENGTH .281
- 3 INSULATION SIZE .135 MAX DIA
- △4 DIMENSION DOES NOT INCLUDE TRIM BURR
- △5 .015 MAX CARRIER TRIM BURR PER SIDE IS ALLOWABLE IN THE SHADED AREA



| | |
|---|------------|
| HOUSING: NYLON, COLOR-RED TRANSLUCENT RECEPTACLE: #3 HARD PH BRONZE, TIN | 2-520184-4 |
| HOUSING: NYLON, COLOR-RED TRANSLUCENT RECEPTACLE: BRASS, TIN | 2-520184-2 |
| MATERIAL & FINISH | |
| PART NO | |

| | | | | |
|--|--|--------------------------|--|---------------------|
| THIS DRAWING IS A CONTROLLED DOCUMENT. | | DWN P FORTNEY 10/18/88 | TE Connectivity RECEPTACLE ASSY, ULTRA-FAST, LOOSE PIECE, .250 SERIES, 22-18 AWG | |
| DIMENSIONS: INCHES | | CHK JR RUTH 10/18/88 | | |
| TOLERANCES UNLESS OTHERWISE SPECIFIED: | | APVD K RANDOLPH 10/21/88 | | |
| 0 PLC ± - 1 PLC ± - 2 PLC ± - 3 PLC ± .015 4 PLC ± - ANGLES ± - | | NAME | | |
| MATERIAL SEE TABLE | | FINISH SEE TABLE | PRODUCT SPEC 108-2043 | RESTRICTED TO |
| | | | APPLICATION SPEC 114-2123 | SIZE A3 |
| | | | WEIGHT - | CAGE CODE 00779 |
| | | | CUSTOMER DRAWING | DRAWING NO C-520184 |
| | | | SCALE 4:1 | SHEET 1 OF 1 |
| | | | | REV L1 |