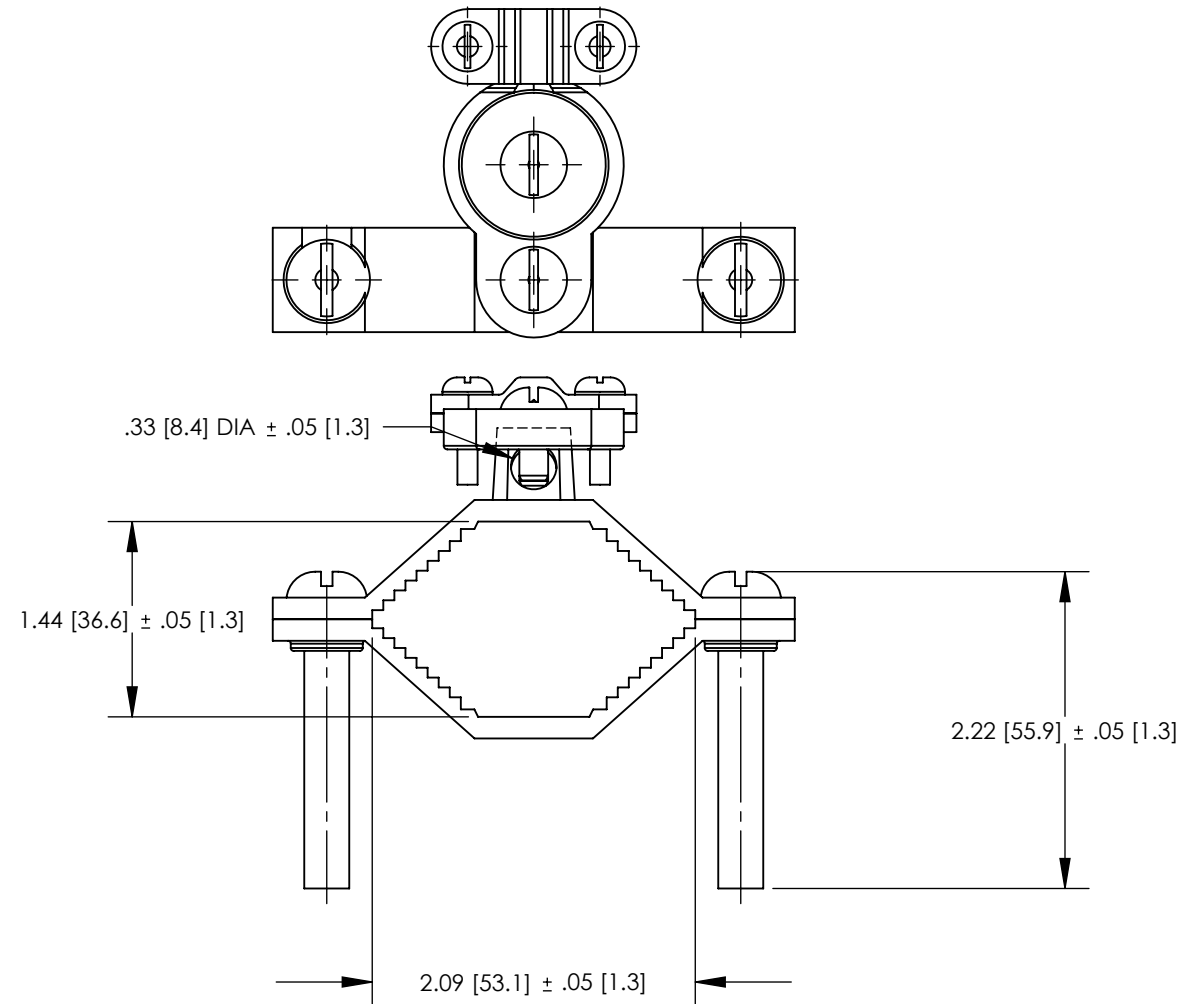
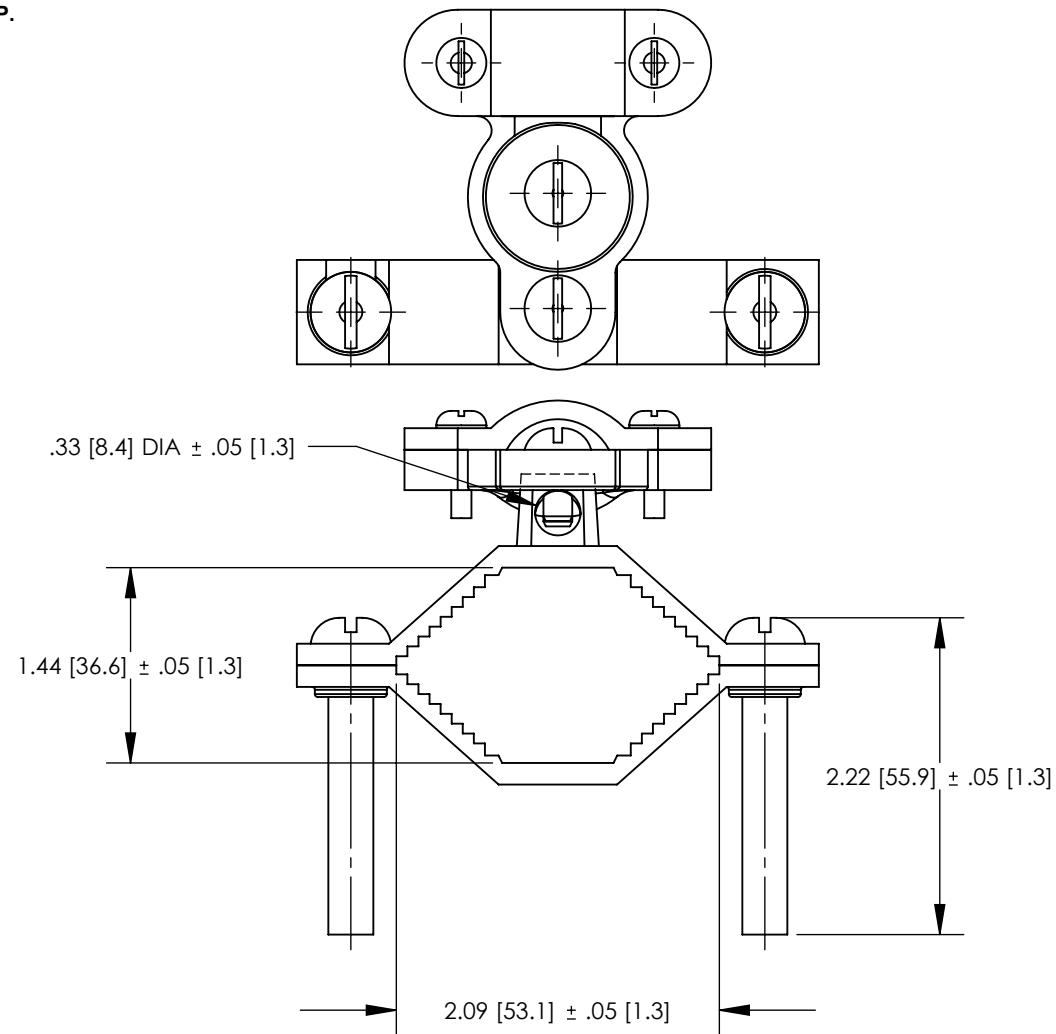


NOTES:

1. MATERIAL:
BODY - BRONZE (GUN METAL)
SCREW - STEEL, ZINC PLATED
2. PARTS ARE cULus LISTED TO UL467 AS
GROUNDING & BONDING EQUIPMENT.
3. SEE WWW.PANDUIT.COM FOR PART NUMBER
SUFFIX DESIGNATION FOR PACKAGE SIZE.



GPCWA6-2
BRONZE GROUND CLAMP - 1-1/4"-2"
WITH SWIVEL FOR ARMORED CABLE



RGPCW6-2-12
BRONZE GROUND CLAMP - 1-1/4"-2"
WITH HUB FOR EMT CONDUIT 1/2" & 3/4"
OR 1/2" RIGID CONDUIT

FINISHED PART NUMBER	DESCRIPTION	WATER PIPE	GROUNDING WIRE
GPCWA6-2	GROUND CLAMP BARE WIRE WITH STEEL SCREWS ARMORED CABLE 360 DEG. SWIVEL TYPE	1-1/4" - 2"	10 - 6 STR
GPCW6-2-12	GROUND CLAMP BARE WIRE STEEL SCREWS WITH HUB	1-1/4" - 2"	10 - 6 STR

REV	DATE	BY	CHK	APR	DESCRIPTION	ECN
00	7/12	JHNU	SRBI	RGB	DRAWING RELEASED	10J018AN-JC

TITLE BRONZE GROUND PIPE CLAMP - 1-1/4" - 2" CUSTOMER DRAWING	
ITEM REVISION NAME 10J018AN/00	PANDUIT ™
DATASET FILE NAME 10J018AN-JC/00.SLDDRW	
UNLESS OTHERWISE SPECIFIED, DIMENSIONAL TOLERANCES ARE: IN [mm] .X ± .XXX ± .XX ± ANGLES ±	
THIRD ANGLE PROJECTION	
DRAWN BY JHNU	DATE 7/12
CHK SRBI	SCALE N/A
DRAWING NUMBER 10J018AN-JC	
SHEET 1 OF 1	
SIZE B	