

**MATERIALS**

**HOUSING:**  
ALUMINUM 6061-T6, NICKEL  
PLATE PER SAE-AMS-2404

**LATCH:**  
STAINLESS STEEL, NICKEL  
PLATE PER SAE-AMS-2404

**INSULATOR:**  
LIQUID CRYSTAL POLYMER  
(LCP) PER ASTM D5138

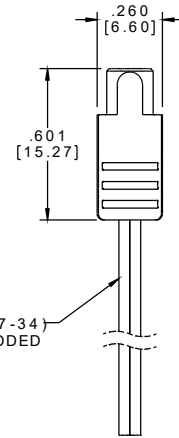
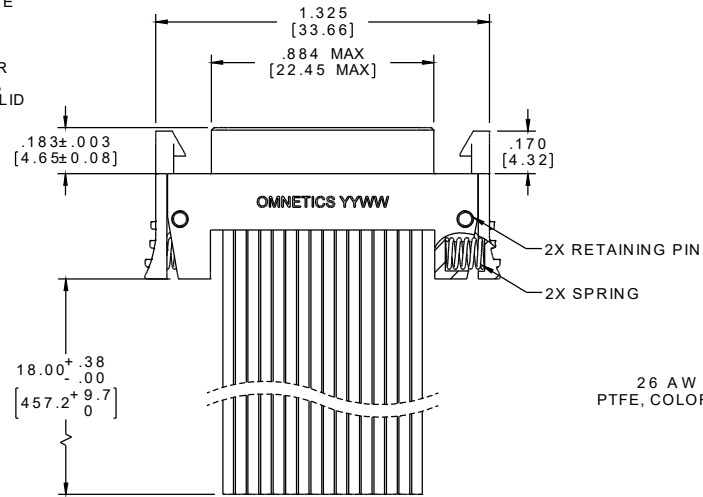
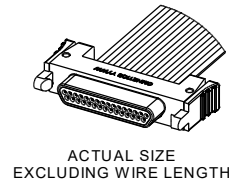
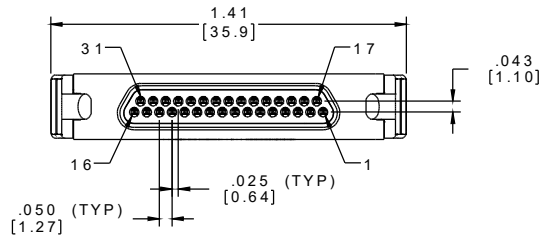
**CONTACT:**  
BERYLLIUM COPPER PER  
ASTM B194, C17200, GOLD  
PLATED PER ASTM B488,  
(HARD GOLD) TYPE II CODE  
C, CLASS 1.27

**WIRE:**  
NEMA HP3 TYPE E, COLOR  
CODED IAW MIL-STD-681,  
SYSTEM 1, USING TEN SOLID  
REPEATING COLORS

PIN #	COLOR
1, 11, 21, 31	BLACK
2, 12, 22	BROWN
3, 13, 23	RED
4, 14, 24	ORANGE
5, 15, 25	YELLOW
6, 16, 26	GREEN
7, 17, 27	BLUE
8, 18, 28	VIOLET
9, 19, 29	GRAY
10, 20, 30	WHITE

INTERNAL USE ONLY  
USE MFG LOADING  
PROCEDURE MMDP-031

PART NO.	A98150-031	REV	ECO	DATE	APP
		C	100387	03-20-14	TLM



26 AWG (7-34)  
PTFE, COLOR CODED

**RoHS**

NOTE:

DIMENSIONS IN [ ] ARE IN  
MILLIMETERS UNLESS  
OTHERWISE NOTED AND ARE  
FOR REFERENCE ONLY

THIRD ANGLE -TOLERANCES- UNLESS OTHERWISE NOTED DIMENSIONS IN INCHES	DFTM. MJM	DATE	TITLE: (31) PIN MALE MICRO-D CONNECTOR W/LATCHES
	2 P L D E C ± .01	04-09-12	
	3 P L D E C ± .005	CHK'D.	
	4 P L D E C ± .0005	APP'D.	
ANGLE B ± 1°			

**OMNETICS**  
CONNECTOR CORPORATION  
7260 COMMERCE CIRCLE EAST  
MINNEAPOLIS, MN 55432  
WWW.OMNETICS.COM

CAGE CODE 61873	REV
DWG NO. A98150-031	C
SHEET 1 OF 1	SCALE: 2:1