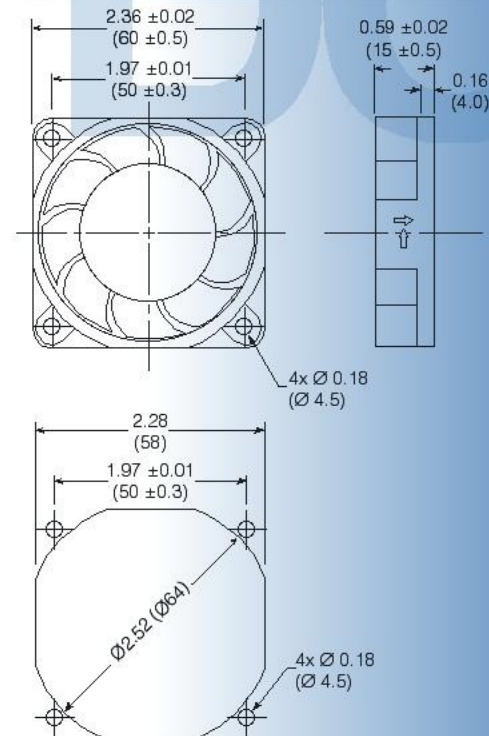


**Size: (60 x 60 x 15mm)**  
**2.36 x 2.36 x 0.59 inches**

- High CFM in a thin profile design
- 12 or 24 VDC
- Ribbed frame style; ball bearing or sleeve bearing models
- Optional tachometer output signal



| Model No. | Rated Voltage (V) | Current (mA) |     | Revolution (RPM) | Air Volume (CFM) | Maximum Static Pressure (in H <sub>2</sub> O) | Sound Noise (dBA) | Weight (oz) |
|-----------|-------------------|--------------|-----|------------------|------------------|---|-------------------|-------------|
|           |                   | 12           | 24  |                  |                  |   |                   |             |
| G6015 S   | 12/24             | 80           | 60  | 2,800            | 12               | 0.10  | 22                | 1.75        |
| G6015 L   | 12/24             | 100          | 70  | 3,400            | 14               | 0.13  | 26                | 1.75        |
| G6015 M   | 12/24             | 120          | 80  | 4,000            | 16               | 0.17  | 30                | 1.75        |
| G6015 H   | 12/24             | 150          | 100 | 4,600            | 18               | 0.21  | 33                | 1.75        |
| G6015 E   | 12/24             | 180          | 130 | 5,200            | 20               | 0.26  | 36                | 1.75        |
| G6015 X   | 12/24             | 250          | 170 | 5,800            | 22               | 0.30  | 39                | 1.75        |