

# UCC27710 620-V, 0.5-A, 1.0-A High-Side Low-Side Gate Driver with Interlock

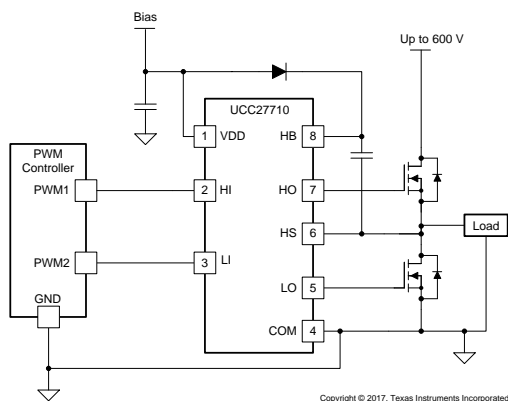
## 1 Features

- High-Side and Low-Side Configuration
- Dual Inputs With Output Interlock and 150-ns Deadtime
- Fully Operational up to 620-V, 700-V Absolute Maximum on HB Pin
- 10-V to 20-V VDD Recommended Range
- Peak Output Current 0.5-A Source, 1.0-A Sink
- $dv/dt$  Immunity of 50 V/ns
- Logic Operational up to  $-11$  V on HS Pin
- Negative Voltage Tolerance On Inputs of  $-5$  V
- Large Negative Transient Safe Operating Area
- UVLO Protection for Both Channels
- Small Propagation Delay (140 ns Typical)
- Delay Matching (8 ns Typical)
- Floating Channel Designed for Bootstrap Operation
- Low Quiescent Current
- TTL and CMOS Compatible Inputs
- Industry Standard SOIC-8 Package
- All Parameters Specified Over Temperature Range,  $-40$  °C to  $+125$  °C

## 2 Applications

- Motor Drive (Stepper Motors, HVAC, Fans, Power Tools, Robotics, Drones, Servos)
- Lighting, LED Power Supply, Indoor Lighting
- Appliances, Washer & Dryer, Refrigerator
- Induction Heating
- DC-to-AC Inverters

## 4 Simplified Schematic



## 3 Description

The UCC27710 is a 620-V high-side and low-side gate driver with 0.5-A source, 1.0-A sink current, targeted to drive power MOSFETs or IGBTs.

The recommended VDD operating voltage is 10-V to 20-V for IGBT's and 10-V to 17-V for power MOSFETs.

The UCC27710 includes protection features where the outputs are held low when the inputs are left open or when the minimum input pulse width specification is not met. Interlock and deadtime functions prevent both outputs from being turned on simultaneously. In addition, the device accepts a wide range bias supply range from 10 V to 20 V, and offers UVLO protection for both the VDD and HB bias supply.

Developed with TI's state of the art high-voltage device technology, the device features robust drive with excellent noise and transient immunity including large negative voltage tolerance on its inputs, high  $dV/dt$  tolerance, wide negative transient safe operating area (NTSOA) on the switch node (HS), and interlock.

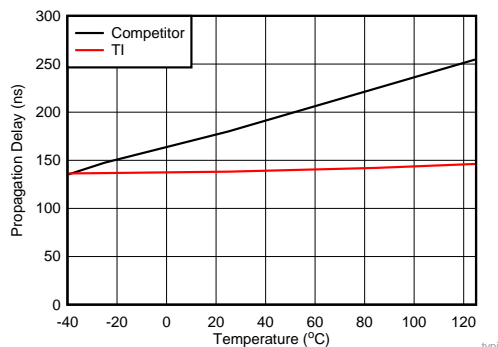
The device consists of one ground-referenced channel (LO) and one floating channel (HO) which is designed for operating with bootstrap or isolated power supplies. The device features fast propagation delays and excellent delay matching between both channels. On the UCC27710, each channel is controlled by its respective input pins, HI and LI.

### Device Information<sup>(1)</sup>

PART NUMBER	PACKAGE	BODY SIZE (NOM)
UCC27710	SOIC (8)	3.91 mm × 4.90 mm

(1) For all available packages, see the orderable addendum at the end of the datasheet.

### Typical Propagation Delay Comparison



## Table of Contents

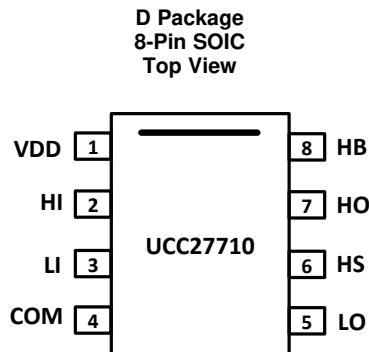
<b>1 Features</b> .....	1	8.3 Feature Description.....	14
<b>2 Applications</b> .....	1	8.4 Device Functional Modes.....	20
<b>3 Description</b> .....	1	<b>9 Application and Implementation</b> .....	26
<b>4 Simplified Schematic</b> .....	1	9.1 Application Information.....	26
<b>5 Revision History</b> .....	2	9.2 Typical Application .....	26
<b>6 Pin Configuration and Functions</b> .....	3	<b>10 Power Supply Recommendations</b> .....	35
<b>7 Specifications</b> .....	4	<b>11 Layout</b> .....	35
7.1 Absolute Maximum Ratings .....	4	11.1 Layout Guidelines .....	35
7.2 ESD Ratings .....	4	11.2 Layout Example .....	35
7.3 Recommended Operating Conditions.....	4	<b>12 Device and Documentation Support</b> .....	36
7.4 Thermal Information .....	5	12.1 Documentation Support .....	36
7.5 Electrical Characteristics.....	5	12.2 Related Links .....	36
7.6 Dynamic Electrical Characteristics .....	6	12.3 Community Resources.....	36
7.7 Typical Characteristics .....	7	12.4 Trademarks .....	36
<b>8 Detailed Description</b> .....	12	12.5 Electrostatic Discharge Caution.....	36
8.1 Overview .....	12	12.6 Glossary .....	36
8.2 Functional Block Diagram .....	13	<b>13 Mechanical, Packaging, and Orderable Information</b> .....	36

## 5 Revision History

Changes from Revision A (October 2017) to Revision B	Page
• Updated <i>Device Information</i> to match package diagram. ....	1
• Updated the HI/LI, VDD and HB-HS specifications in <i>Absolute Maximum Ratings</i> table. ....	4
• Added the footnote to clarify the test condition in <i>Absolute Maximum Ratings</i> table.....	4

Changes from Original (October 2017) to Revision A	Page
• Advanced Information to Production Data.....	1

## 6 Pin Configuration and Functions



### Pin Functions

PIN		I/O	DESCRIPTION
NAME	NO.		
COM	4	–	Ground
HB	8	I	High side floating supply. Bypass this pin to HS with a suitable capacitor to sustain boot-strap circuit operation, typically 10 times larger than the MOSFETs/IGBTs gate capacitance.
HI	2	I	Logic input for high-side driver. If HI is unbiased or floating, HO is held low
HO	7	O	High-side driver output.
HS	6	–	Return for high-side floating supply.
LI	3	I	Logic input for low-side driver. If LI is unbiased or floating, LO is held low.
LO	5	O	Low-side driver output.
VDD	1	I	Bias supply input. Power supply for the input logic side of the device and also low-side driver output. Bypass this pin to COM with a 0.1- $\mu$ F or larger value ceramic capacitor.

## 7 Specifications

### 7.1 Absolute Maximum Ratings

Over operating free-air temperature range (unless otherwise noted), all voltages are with respect to COM (unless otherwise noted), currents are positive into and negative out of the specified terminal.<sup>(1)(2)</sup>

PARAMETER		MIN	MAX	UNIT	
Input voltage	HI, LI <sup>(3)(4)</sup>	-5	24	V	
	VDD Supply Voltage <sup>(4)</sup>	-0.3	24		
	HB	-0.3	700		
	HB–HS <sup>(4)</sup>	-0.3	24		
Output voltage	HO	DC	HS–0.3	HB+0.3	V
		Transient, less than 100 ns <sup>(5)</sup>	HS–2	HB+0.3	
	LO	DC	-0.3	VDD+0.3	V
		Transient, less than 100 ns <sup>(5)</sup>	-2	VDD+0.3	
Output current	HO, LO	I <sub>OUT_PULSED</sub> (300 ns)	1.0/-0.5		A
		I <sub>OUT_DC</sub>	0.15		
dV <sub>HS</sub> /dt	Allowable offset supply voltage transient	-50	50	V/ns	
T <sub>J</sub>	Junction temperature	-40	150	°C	
T <sub>stg</sub>	Storage temperature	-65	150		

- Stresses beyond those listed under *Absolute Maximum Ratings* may cause permanent damage to the device. These are stress ratings only, which do not imply functional operation of the device at these or any other conditions beyond those indicated under *Recommended Operating Conditions*. Exposure to absolute-maximum-rated conditions for extended periods may affect device reliability.
- See Packaging Section of the datasheet for thermal limitations and considerations of packages.
- The maximum voltage on the input pins is not restricted by the voltage on the VDD pin.
- Ambient temperature (T<sub>A</sub>) ≥ 25°C.
- Values are verified by characterization on bench.

### 7.2 ESD Ratings

		VALUE	UNIT
V <sub>(ESD)</sub> Electrostatic discharge	Human-body model (HBM), per ANSI/ESDA/JEDEC JS-001 <sup>(1)</sup>	±1500	V
	Charged-device model (CDM), per JEDEC specification JESD22-C101 <sup>(2)</sup>	±1000	

- JEDEC document JEP155 states that 500-V HBM allows safe manufacturing with a standard ESD control process.
- JEDEC document JEP157 states that 250-V CDM allows safe manufacturing with a standard ESD control process.

### 7.3 Recommended Operating Conditions

all voltages are with respect to COM, over operating free-air temperature range (unless otherwise noted)

		MIN	NOM	MAX	UNIT
VDD	Supply voltage	IGBT Applications	10	20	V
		MOSFET Applications	10	17	
HB–HS	Driver bootstrap voltage	IGBT Applications	10	20	
		MOSFET Applications	10	17	
HS	Source terminal voltage <sup>(1)</sup>	-11		600	
HI, LI	Input voltage with respect to VSS	-4		20	
T <sub>A</sub>	Ambient temperature	-40		125	°C

- Logic operational for HS of -11 V to +600 V at HB–HS = 20 V

## 7.4 Thermal Information

THERMAL METRIC <sup>(1)</sup>		UCC27710	
		(SOIC)	UNIT
		8 PINS	
R <sub>θJA</sub>	Junction-to-ambient thermal resistance	108.3	°C/W
R <sub>θJC(top)</sub>	Junction-to-case (top) thermal resistance	61.5	°C/W
R <sub>θJB</sub>	Junction-to-board thermal resistance	57.9	°C/W
ψ <sub>JT</sub>	Junction-to-top characterization parameter	15.3	°C/W
ψ <sub>JB</sub>	Junction-to-board characterization parameter	57.2	°C/W

(1) For more information about traditional and new thermal metrics, see the *Semiconductor and IC Package Thermal Metrics* application report, [SPRA953](#).

## 7.5 Electrical Characteristics

At VDD = VHB = 15 V, COM = VHS = 0, all voltages are with respect to COM, no load on LO and HO, -40°C < T<sub>J</sub> < +125°C (unless otherwise noted). Currents are positive into and negative out of the specified terminal.

PARAMETER	TEST CONDITIONS	MIN	TYP	MAX	UNIT	
<b>Supply Block</b>						
V <sub>VDD ON</sub>	Turn-on threshold voltage of VDD	8.0	8.9	9.8	V	
V <sub>VDD OFF</sub>	Turn-off threshold voltage of VDD	7.5	8.4	9.3		
V <sub>VDD HYS</sub>	Hysteresis of VDD		0.5			
V <sub>VHB ON</sub>	Turn-on threshold voltage of VHB-VHS	7.2	8.2	9.2		
V <sub>VHB OFF</sub>	Turn-off threshold voltage of VHB-VHS	6.4	7.3	8.3		
V <sub>VHB HYS</sub>	Hysteresis of VHB-VHS	0.5	0.9			
I <sub>Q</sub>	Total quiescent supply current	HI = LI = 0 V or 5 V, DC on/off state	180	255	420	μA
I <sub>QVDD</sub>	Quiescent VDD-COM supply current	HI = LI = 0 V or 5 V, DC on/off state		190	320	
I <sub>QBS</sub>	Quiescent HB-HS supply current	HI = 0 V or 5 V, HO in DC on/off state		65	100	
I <sub>BL</sub>	Bootstrap supply leakage current	HB = HS = 600 V			20	
I <sub>OP</sub>	Dynamic operating current	HI = LI = 0 V or 5 V, f = 100 kHz, duty = 50%, C <sub>L</sub> = 1nF		3800 <sup>(1)</sup>	4500	
<b>Input Block</b>						
V <sub>INH</sub>	Input Pin (HI, LI) high threshold		1.6	2.0	2.4	V
V <sub>INL</sub>	Input Pin (HI, LI) low threshold		0.8	1.2	1.5	
V <sub>INHYS</sub>	Input Pin (HI, LI) threshold hysteresis			0.8		
I <sub>INL</sub>	HI, LI input low bias current	HI, LI = 0 V	-5	0	5	μA
I <sub>INH</sub>	HI, LI input high bias current	HI, LI = 5 V	1.7		70	
<b>Output Block</b>						
V <sub>DD-VLOH</sub>	LO output high voltage	LI = 5V, I <sub>LO</sub> = -20 mA		200	360	mV
V <sub>HB-VHOH</sub>	HO output high voltage	HI = 5V, I <sub>HO</sub> = -20 mA		200	360	
V <sub>LOL</sub>	LO output low voltage	LI = 0V, I <sub>LO</sub> = 20 mA		60	110	
V <sub>HOL</sub>	HO output low voltage	HI = 0V, I <sub>HO</sub> = 20 mA		60	110	
R <sub>LOL</sub> , R <sub>HOL</sub>	LO, HO output pull-down resistance	I <sub>LO</sub> = I <sub>HO</sub> = 20 mA		3.0	5.5	Ω
R <sub>LOH</sub> , R <sub>HOH</sub>	LO, HO output pull-up resistance	I <sub>LO</sub> = I <sub>HO</sub> = -20 mA		10	18	
I <sub>GPK-</sub> <sup>(1)</sup>	HO, LO output low short circuit pulsed current	HI = LI = 0 V, HO = LO = 15 V, PW < 10 μs		1.0		A
I <sub>GPK+</sub> <sup>(1)</sup>	HO, LO output high short circuit pulsed current	HI = LI = 5 V, HO = LO = 0 V, PW < 10 μs		-0.5		

(1) Ensured by design, not tested in production

### 7.6 Dynamic Electrical Characteristics

At VDD = VHB = 15 V, COM = VHS = 0, all voltages are with respect to COM, no load on LO and HO, -40°C < T<sub>J</sub> < +125°C (unless otherwise noted). Currents are positive into and negative out of the specified terminal.

PARAMETER	TEST CONDITIONS	MIN	TYP	MAX	UNIT	
<b>Dynamic Characteristics</b>						
t <sub>PDLH</sub>	Turn-on propagation delay (without deadtime)	LI to LO, HI to HO, HS = COM = 0V	100	140	190	ns
t <sub>PDHL</sub>	Turn-off propagation delay	LI to LO, HI to HO, HS = COM = 0V	100	140	190	
t <sub>PDRM</sub>	Low-to-high delay matching			8	30	
t <sub>PDFM</sub>	High-to-low delay matching			8	30	
t <sub>RISE</sub>	Turn-on rise time	10% to 90%, HO/LO with 1000-pF load		35	75	
t <sub>FALL</sub>	Turn-off fall time	10% to 90%, HO/LO with 1000-pF load		16	35	
t <sub>ON</sub>	Minimum HI/LI ON pulse that changes output state	0 V to 5 V input signal on HI and LI pins		40	60	
t <sub>OFF</sub>	Minimum HI/LI OFF pulse that changes output state	5 V to 0 V input signal on HI and LI pins		40	75	
DT	Deadtime	Internal Deadtime for Interlock	95	150	200	

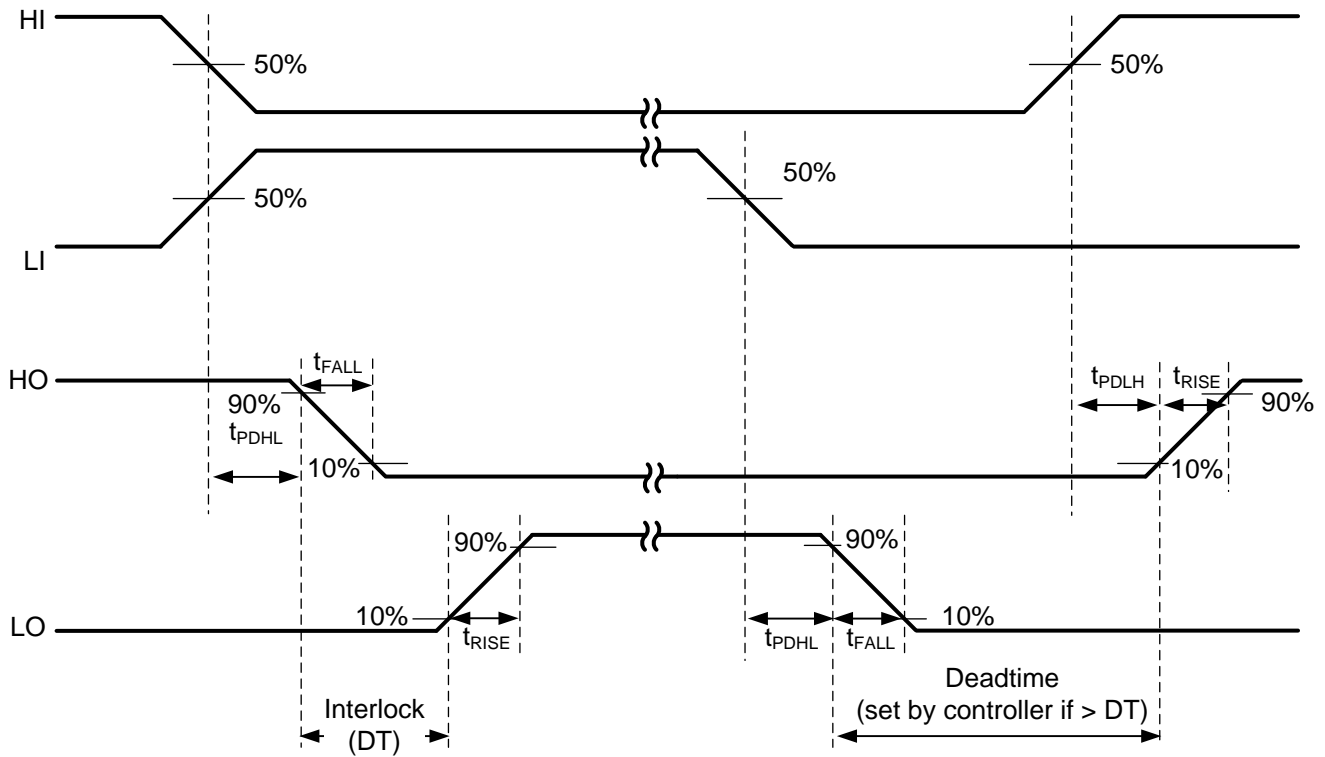


Figure 1. Typical Test Timing Diagram

## 7.7 Typical Characteristics

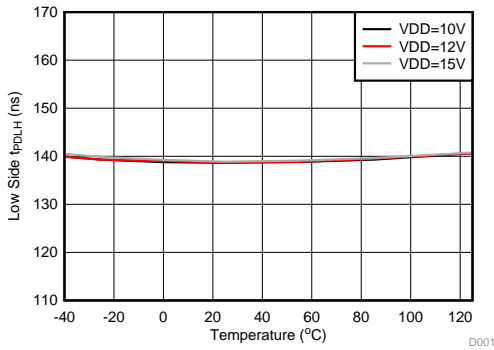


Figure 2. Low-Side, Turn-On Propagation Delay vs Temperature

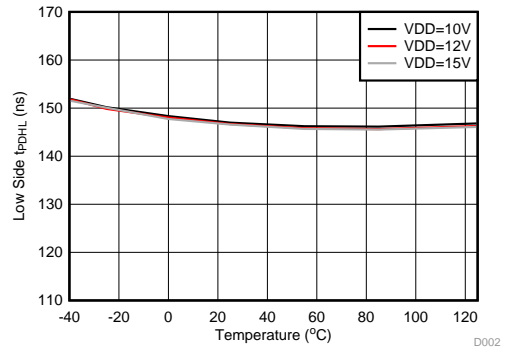


Figure 3. Low-Side, Turn-Off Propagation Delay vs Temperature

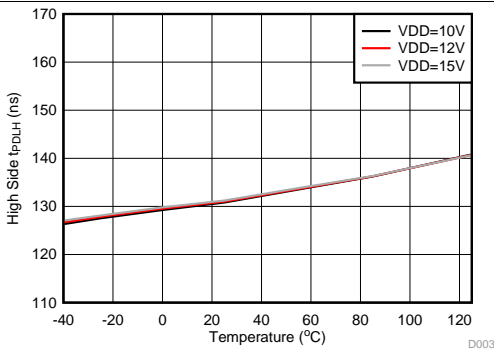


Figure 4. High-Side, Turn-On Propagation Delay vs Temperature

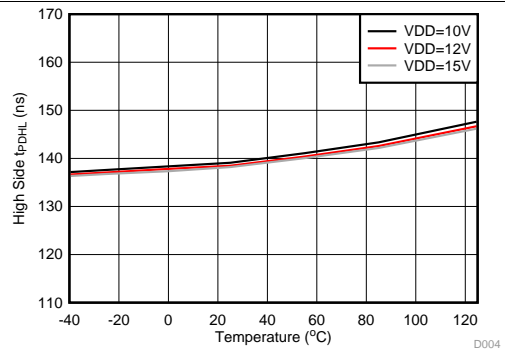


Figure 5. High-Side, Turn-Off Propagation Delay vs Temperature

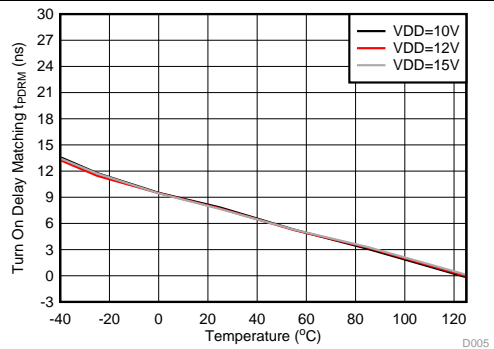


Figure 6. Turn-On Delay Matching vs Temperature

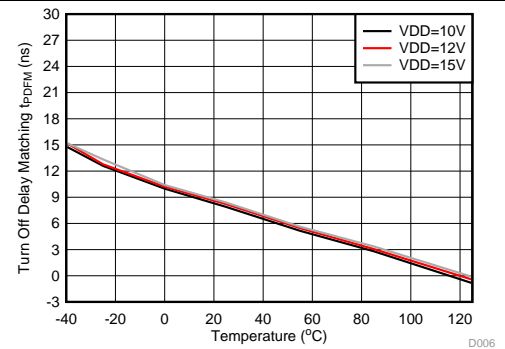
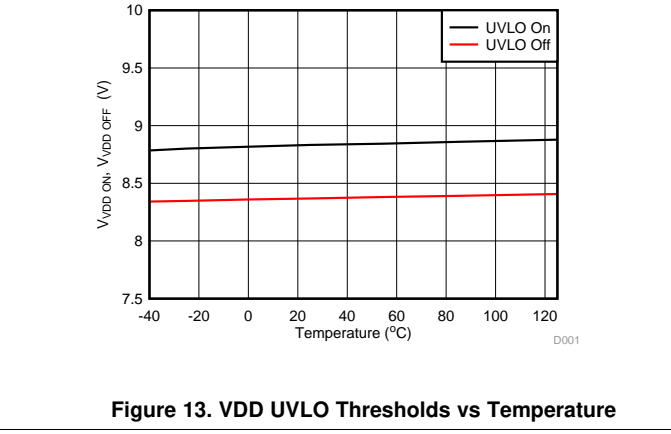
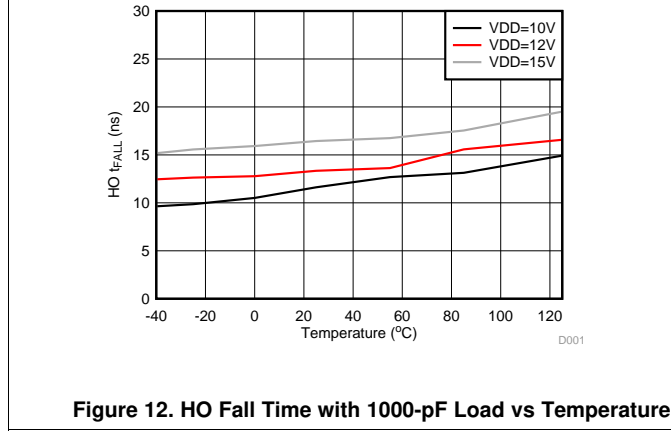
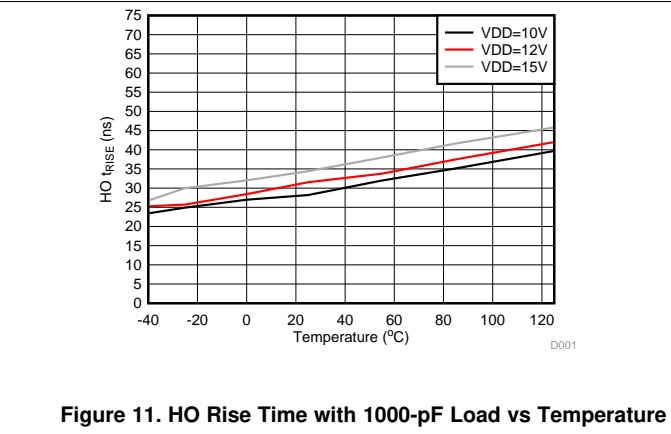
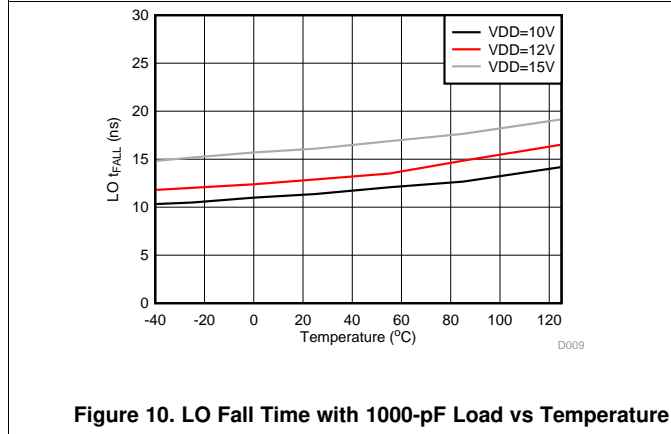
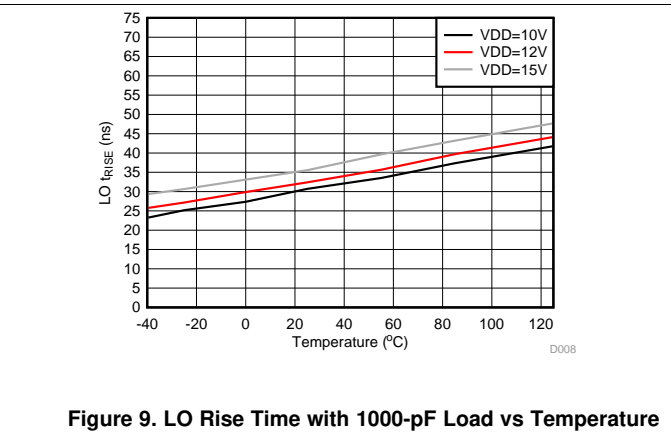
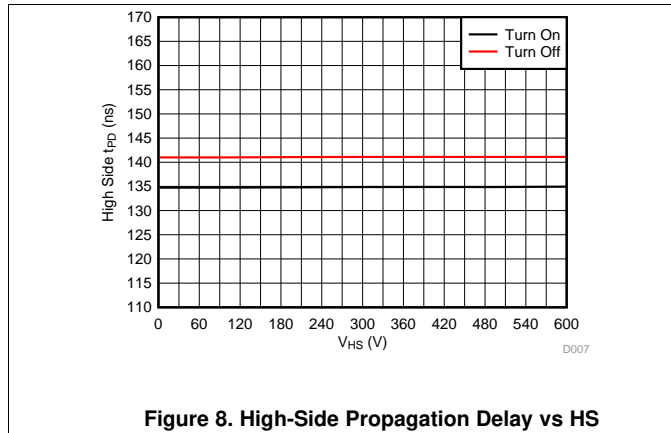


Figure 7. Turn-Off Delay Matching vs Temperature

Typical Characteristics (continued)





Typical Characteristics (continued)

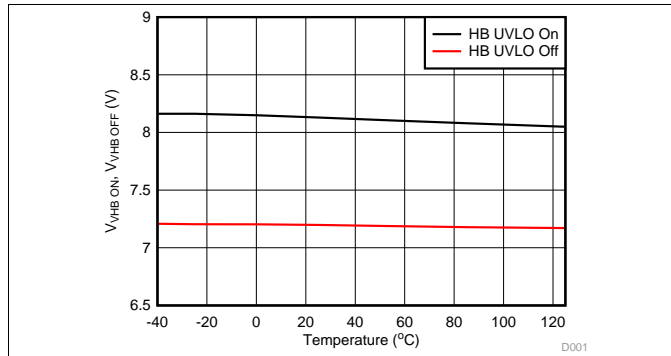


Figure 14. VHB-VHS UVLO Thresholds vs Temperature

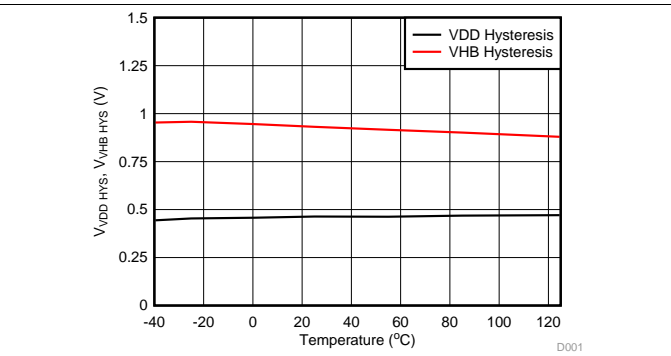


Figure 15. VDD and VHB-VHS UVLO Hysteresis vs Temperature

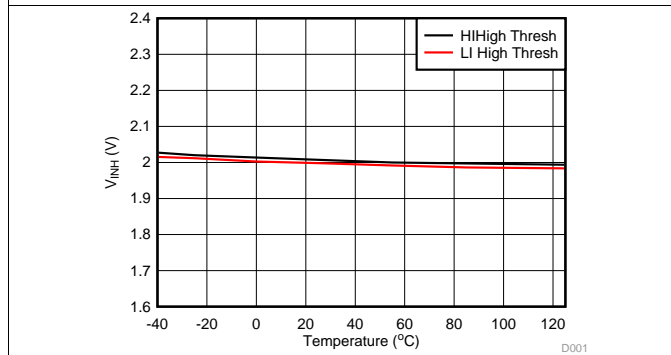


Figure 16. HI/LI Pin High Threshold vs Temperature

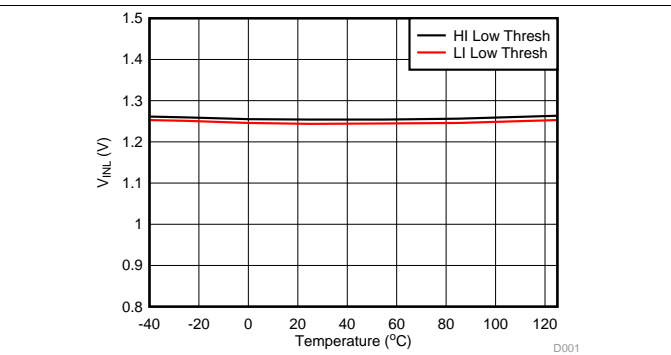


Figure 17. HI/LI Pin Low Threshold vs Temperature

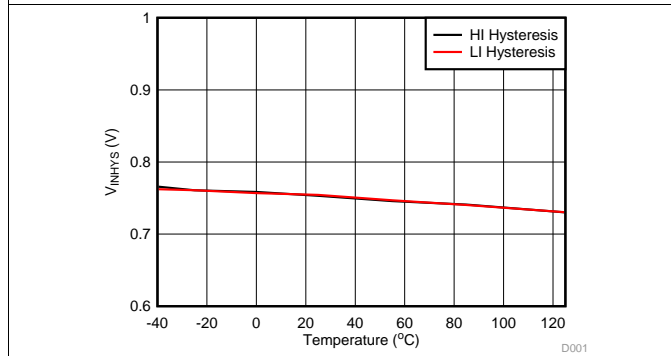


Figure 18. HI/LI Pin Hysteresis vs Temperature

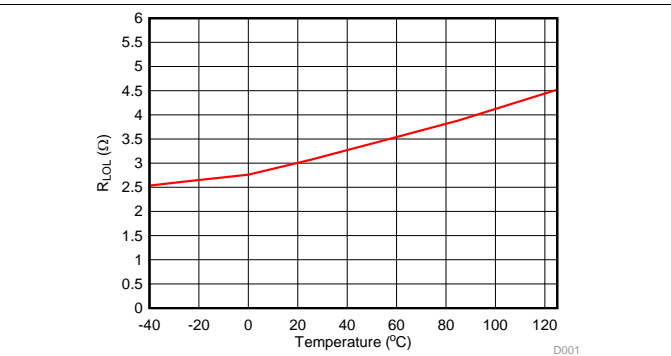


Figure 19. LO Output Pull-Down Resistance vs Temperature

Typical Characteristics (continued)

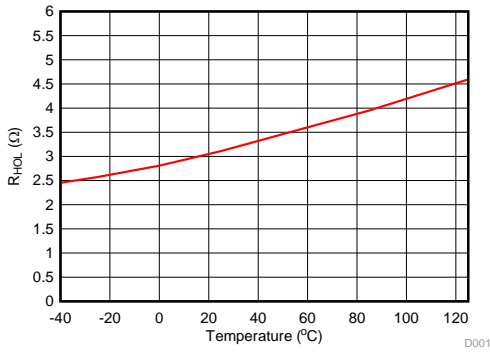


Figure 20. HO Output Pull-Down Resistance vs Temperature

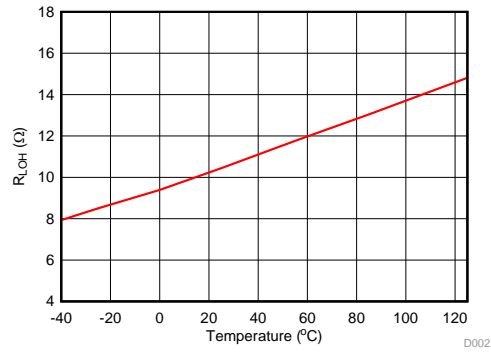


Figure 21. LO Output Pull-Up Resistance vs Temperature

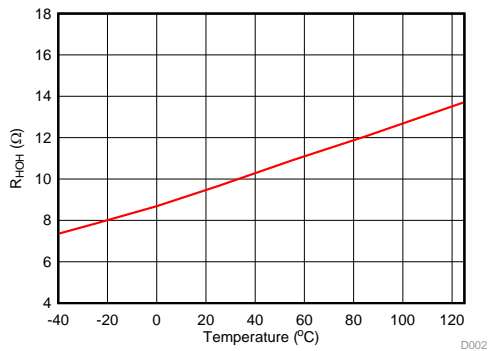


Figure 22. HO Output Pull-Up Resistance vs Temperature

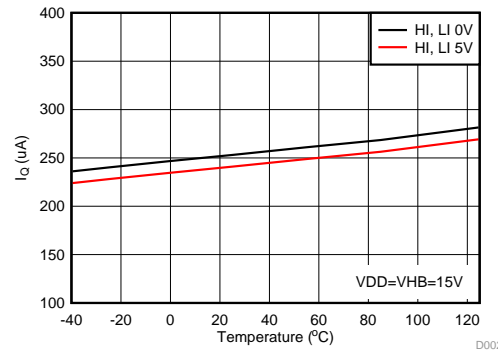


Figure 23. Total Quiescent VDD plus HB Supply Current vs Temperature

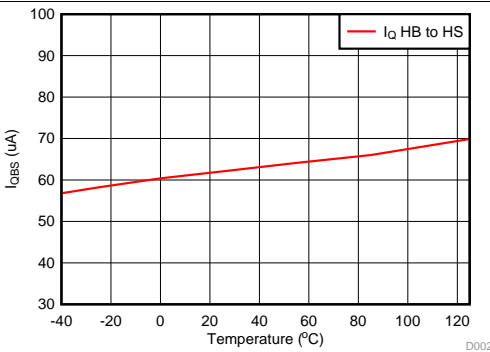


Figure 24. Quiescent HB to HS Supply Current vs Temperature

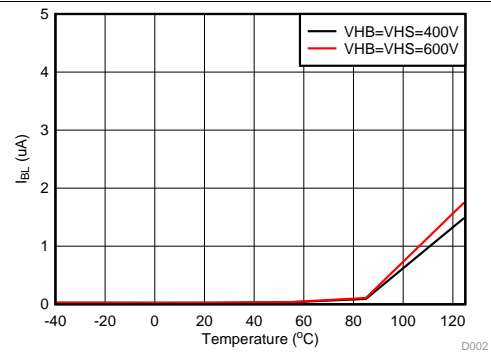
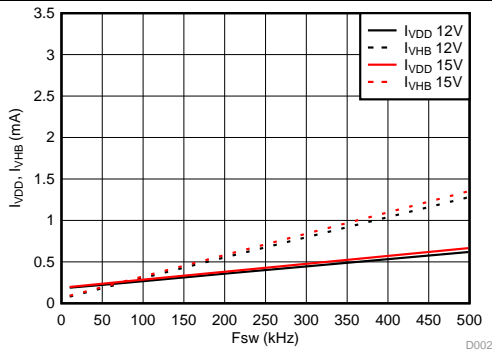
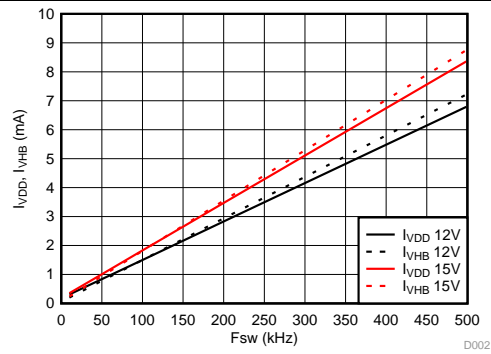


Figure 25. HB to COM Bootstrap Supply Leakage Current vs Temperature

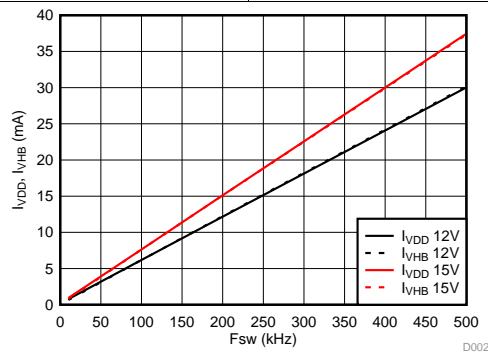
**Typical Characteristics (continued)**



**Figure 26. VDD and HB Operating Current with No Load vs Switching Frequency**



**Figure 27. VDD and HB Operating Current with 1000-pF Load vs Switching Frequency**



**Figure 28. VDD and HB Operating Current with 4700-pF Load vs Switching Frequency**

## 8 Detailed Description

### 8.1 Overview

The UCC27710 consists of one ground-referenced channel (LO) and one floating channel (HO) which is designed for operating with bootstrap or isolated power supplies. The device features fast propagation delays and excellent delay matching between both channels. On the UCC27710, each channel is controlled by its respective input pins.

Developed with TI's state of the art high-voltage technology, the device features robust drive with excellent noise and transient immunity including large negative voltage tolerance on its inputs, high dv/dt tolerance, and wide negative transient safe operating area (NTSOA) on the switch node (HS).

The UCC27710 includes protection features where the outputs are held low when the inputs are floating or when the minimum input pulse width specification is not met. Interlock and deadtime functions prevent both outputs from being turned on simultaneously. In addition, the device accepts a wide range bias supply range from 10 V to 20 V, and offers UVLO protection for both the VDD and HB bias supply.

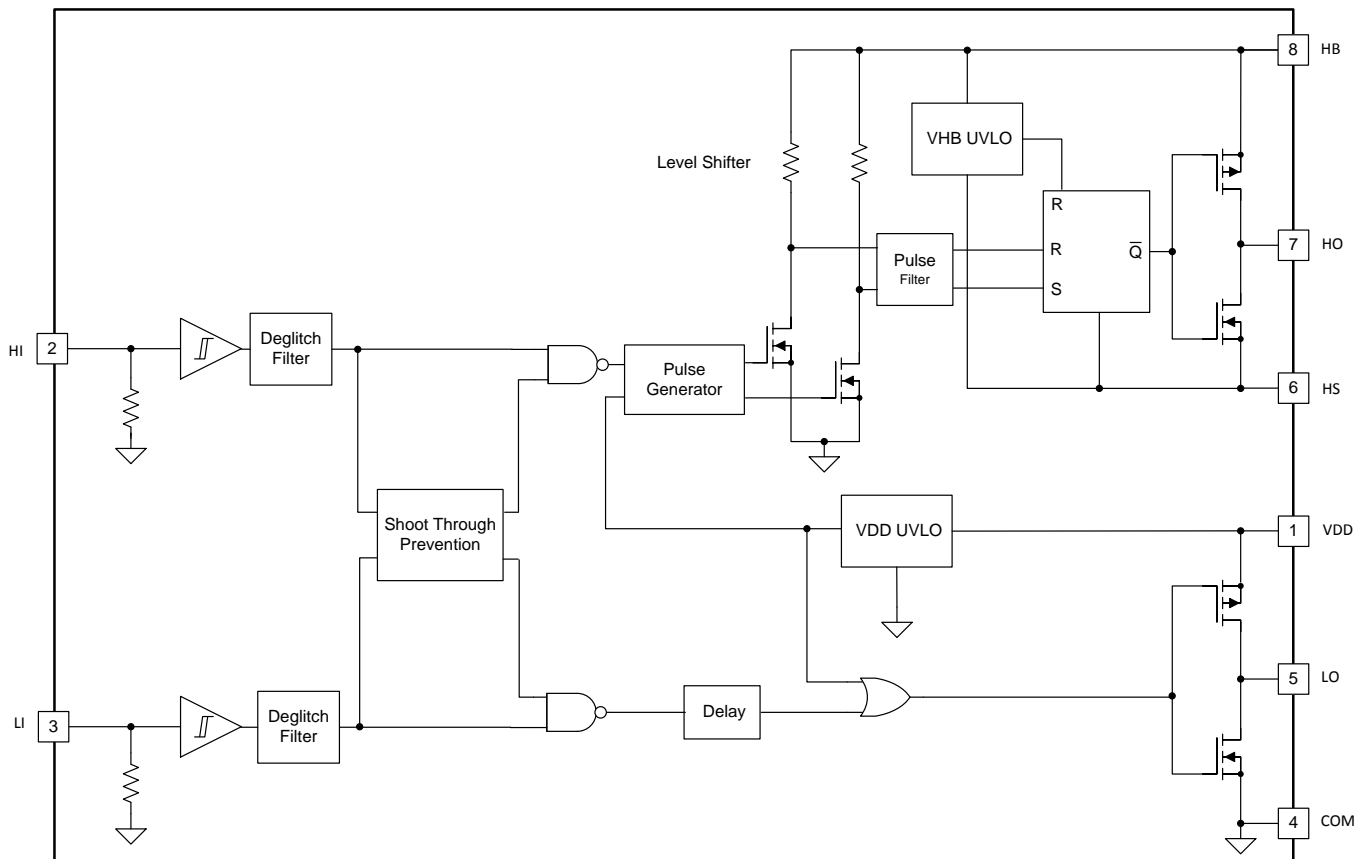
High-current, gate-driver devices are required in switching power applications for a variety of reasons. In order to implement fast switching of power devices and reduce associated switching power losses, a powerful gate-driver device is employed between the PWM output of control devices and the gates of the power semiconductor devices. Further, gate-driver devices are indispensable when having the PWM controller device directly drive the gates of the switching devices is sometimes not feasible. In the case of digital power supply controllers, this situation is often encountered because the PWM signal from the digital controller is often a 3.3-V logic signal which is not capable of effectively turning on a power switch.

In bridge topologies, like hard-switch half bridge, hard-switch full bridge, half-bridge and full-bridge LLC, and phase-shift full bridge, the source and emitter pin of the top-side power MOSFET and IGBT switch is referenced to a node whose voltage changes dynamically; that is, not referenced to a fixed potential, so floating-driver devices are necessary in these topologies.

The UCC27710 is a high-side and low-side driver dedicated for offline AC-to-DC power supplies and inverters. The high side is a floating driver that can be biased effectively using a bootstrap circuit, and can handle up to 600-V. The driver can be used with 100% duty cycle as long as HB-HS can be above UVLO of the high side.

The device features excellent propagation delay and delay matching between both channels aimed at minimizing pulse width distortion. Each channel is controlled by its respective input pins (HI and LI), allowing independent flexibility to control on and off state of the output but does not allow the HO and LO outputs to be on at the same time. The UCC27710 includes an interlock feature which guarantees a 150 ns dead time between the HO and LO outputs if the HI and LI inputs are complimentary or overlapping. The UCC27710 includes protection features wherein the outputs are held low when inputs are floating or when the minimum input pulse width specification is not met. The driver inputs are CMOS and TTL compatible for easy interface to digital power controllers and analog controllers alike.

### 8.2 Functional Block Diagram



Copyright © 2017, Texas Instruments Incorporated

Figure 29. UCC27710 Block Diagram

## 8.3 Feature Description

### 8.3.1 VDD and Under Voltage Lockout

The UCC27710 has an internal under voltage-lockout (UVLO) protection feature on the supply circuit blocks between VDD and VSS pins, as well as between HB and HS pins. When VDD bias voltage is lower than the  $V_{VDD(on)}$  threshold at device start-up or lower than  $V_{VDD(off)}$  after start-up, the VDD UVLO feature holds both the LO and HO outputs low, regardless of the status of the HI and LI inputs. On the other hand, if HB-HS bias supply voltage is lower than the  $V_{VHB(on)}$  threshold at start-up or  $V_{VHB(off)}$  after start-up, the HB-HS UVLO feature only holds HO to low, regardless of the status of the HI. The LO output status is not affected by the HB-HS UVLO feature (see [Table 1](#) and [Table 2](#)). This allows the LO output to turn-on and re-charge the HB-HS capacitor using the boot-strap circuit and thus allows HB-HS bias voltage to surpass the  $V_{VHB(on)}$  threshold.

Both the VDD and VHB UVLO protection functions are provided with a hysteresis feature. This hysteresis prevents chatter when there is ground noise from the power supply. Also this allows the device to accept a small drop in the bias voltage which is bound to happen when the device starts switching and quiescent current consumption increases instantaneously, as well as when the boot-strap circuit charges the HB-HS capacitor during the first instance of LO turn-on causing a drop in VDD voltage.

The UVLO circuit of VDD-VSS and HB-HS in UCC27710 generate internal signals to enable/disable the outputs after UVLO\_ON/UVLO\_OFF thresholds are crossed respectively (please refer to [Figure 30](#)). Design considerations indicate that the UVLO propagation delay before the outputs are enabled and disabled can vary from 20  $\mu$ s to 50  $\mu$ s.

**Table 1. VDD UVLO Feature Logic Operation**

CONDITION (VHB-VHS > $V_{VHB, ON}$ FOR ALL CASES BELOW)	HI	LI	HO	LO
VDD-VSS < $V_{VDD(on)}$ during device start up	H	L	L	L
VDD-VSS < $V_{VDD(on)}$ during device start up	L	H	L	L
VDD-VSS < $V_{VDD(on)}$ during device start up	H	H	L	L
VDD-VSS < $V_{VDD(on)}$ during device start up	L	L	L	L
VDD-VSS < $V_{VDD(off)}$ after device start up	H	L	L	L
VDD-VSS < $V_{VDD(off)}$ after device start up	L	H	L	L
VDD-VSS < $V_{VDD(off)}$ after device start up	H	H	L	L
VDD-VSS < $V_{VDD(off)}$ after device start up	L	L	L	L

**Table 2. VHB UVLO Feature Logic Operation**

CONDITION (VDD-VSS > $V_{VDD, ON}$ FOR ALL CASES BELOW)	HI	LI	HO	LO
VHB-VHS < $V_{VHB(on)}$ during device start up	H	L	L	L
VHB-VHS < $V_{VHB(on)}$ during device start up	L	H	L	H
VHB-VHS < $V_{VHB(on)}$ during device start up	H	H	L	L
VHB-VHS < $V_{VHB(on)}$ during device start up	L	L	L	L
VHB-VHS < $V_{VHB(off)}$ after device start up	H	L	L	L
VHB-VHS < $V_{VHB(off)}$ after device start up	L	H	L	H
VHB-VHS < $V_{VHB(off)}$ after device start up	H	H	L	L
VHB-VHS < $V_{VHB(off)}$ after device start up	L	L	L	L

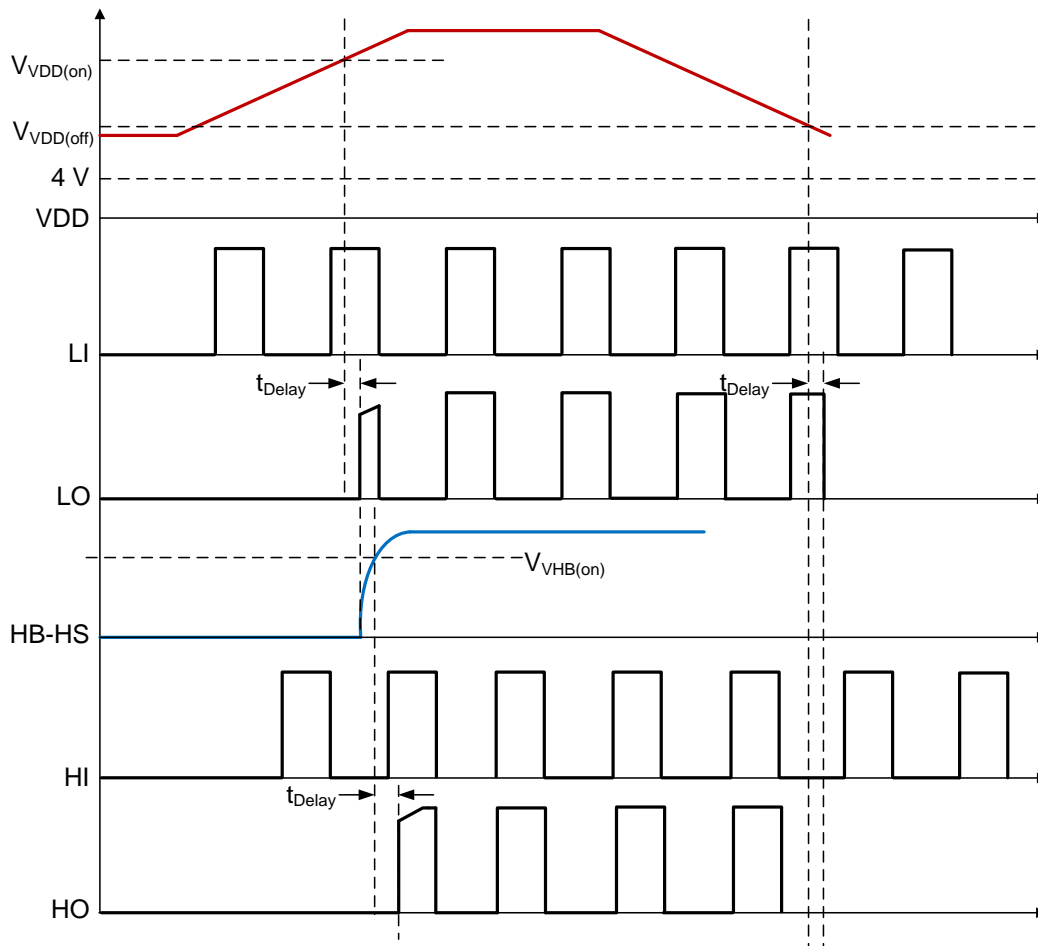


Figure 30. Power-Up Driver

### 8.3.2 Input and Output Logic Table

UCC27710 features separate inputs, HI and LI, for controlling the state of the outputs, HO and LO, respectively. The device does include internal cross-conduction prevention logic and does not allow both HO and LO outputs to be turned on simultaneously (refer to Table 3). This feature prevents cross conduction in bridge topologies in the case of incorrect timing from the controller.

Table 3. Input/Output Logic Table  
(Assuming no UVLO fault condition exists for VDD and VHB)

HI	LI	HO	LO	Note
L	L	L	L	
L	H	L	H	Output transitions occur after the dead time expires
H	L	H	L	
H	H	L	L	
Left Open	Left Open	L	L	

### 8.3.3 Input Stage

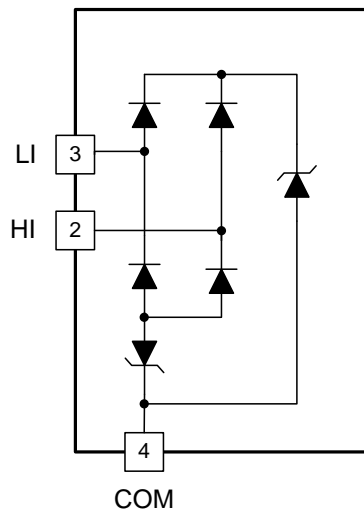
The input pins of UCC27710 are based on a TTL and CMOS compatible input-threshold logic that is independent of the VDD supply voltage. With typical high threshold ( $V_{INH}$ ) of 2.0 V and typical low threshold ( $V_{INL}$ ) of 1.2 V, along with very little temperature variation as summarized in [Figure 16](#) and [Figure 17](#), the input pins are conveniently driven with logic level PWM control signals derived from 3.3-V and 5-V digital power-controller devices. Wider hysteresis (typically 0.8 V) offers enhanced noise immunity compared to traditional TTL logic implementations, where the hysteresis is typically less than 0.5 V. UCC27710 also features tight control of the input pin threshold voltage levels which eases system design considerations and ensures stable operation across temperature.

The UCC27710 includes an important feature: wherein, whenever any of the input pins is in a floating condition, the output of the respective channel is held in the low state. This is achieved using COM pull-down resistors on all the input pins (HI, LI).

The UCC27710 input pins are capable of sustaining voltages higher than the bias voltage applied on the VDD pin of the device, as long as the absolute magnitude is less than the recommended operating condition's maximum ratings. This feature offers the convenience of driving the PWM controller at a higher VDD bias voltage than the UCC27710 helping to reduce gate charge related switching losses. This capability is envisaged in UCC27710 by way of two ESD diodes tied back-to-front as shown in [Figure 31](#).

Additionally, the input pins are also capable of sustaining negative voltages below COM, as long as the magnitude of the negative voltage is less than the recommended operating condition minimum ratings. A similar diode arrangement exists between the input pins and COM as illustrated in [Figure 31](#).

The input stage of each driver must be driven by a signal with a short rise or fall time. This condition is satisfied in typical power supply applications, when the input signals are provided by a PWM controller or logic gates with fast transition times. With a slow changing input voltage, the output of driver may switch repeatedly at a high frequency. While the wide hysteresis offered in UCC27710 definitely alleviates this concern over most other TTL input threshold devices, extra care is necessary in these implementations. If limiting the rise or fall times to the power device is the primary goal, then an external resistance is highly recommended between the output of the driver and the power device. This external resistor has the additional benefit of reducing part of the gate-charge related power dissipation in the gate-driver device package and transferring it into the external resistor itself. If an RC filter is to be added on the input pins for reducing the impact of system noise and ground bounce, the time constant of the RC filter is recommended to be 20 ns or less, for example, 50  $\Omega$  with 220 pF is an acceptable choice.



**Figure 31. Diode Structure of Input Stage**



### 8.3.4 Output Stage

The UCC27710 device output stage pull-up structure features a P-Channel MOSFET to provide source current until the output is saturated to VDD or HB. The  $R_{OH}$  parameter (see Figure 21 ) is a DC measurement and it is representative of the on-resistance of the P-Channel device.

The pull-down structure in UCC27710 is composed of a N-Channel MOSFET. The  $R_{OL}$  parameter (see Figure 19) , which is also a DC measurement, is representative of the impedance of the pull-down stage in the device.

Each output stage in UCC27710 is capable of supplying 0.5-A peak source and 1.0-A peak sink current pulses. The output voltage swings between (VDD and COM) / (HB and HS) providing rail-to-rail operation, thanks to the MOSFET output stage which delivers very low drop-out.

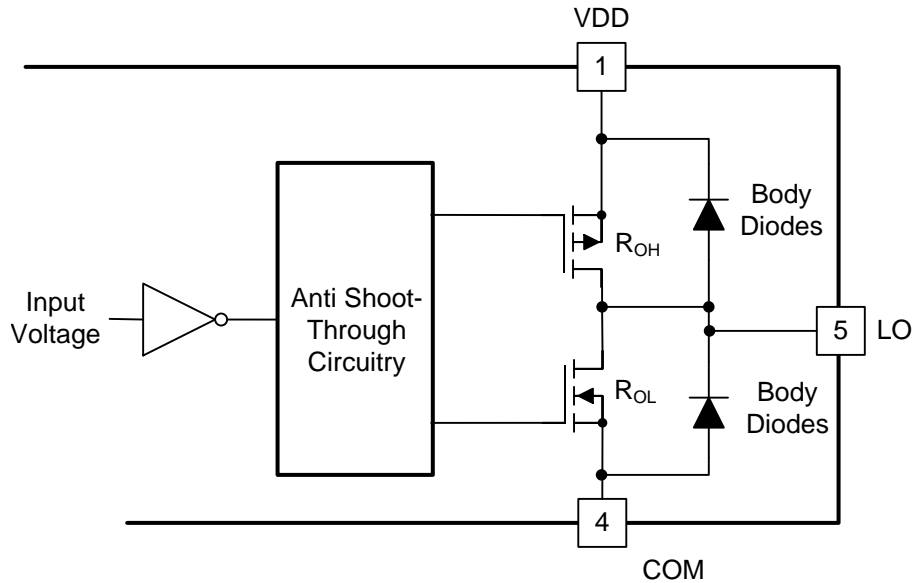


Figure 32. Output Stage Structure

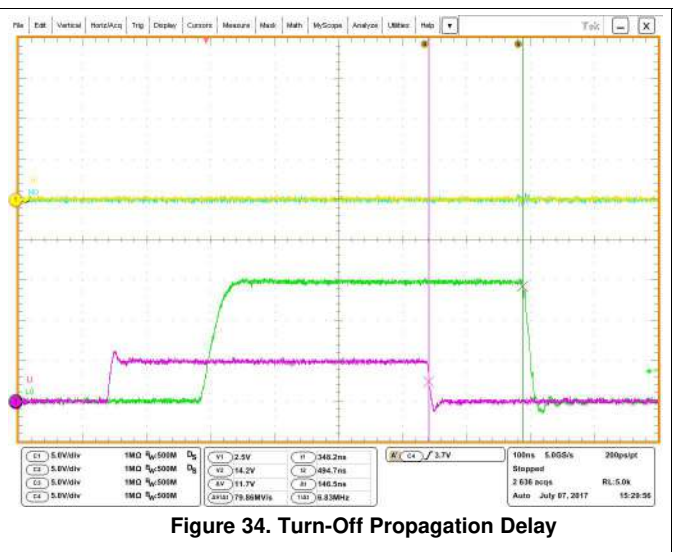
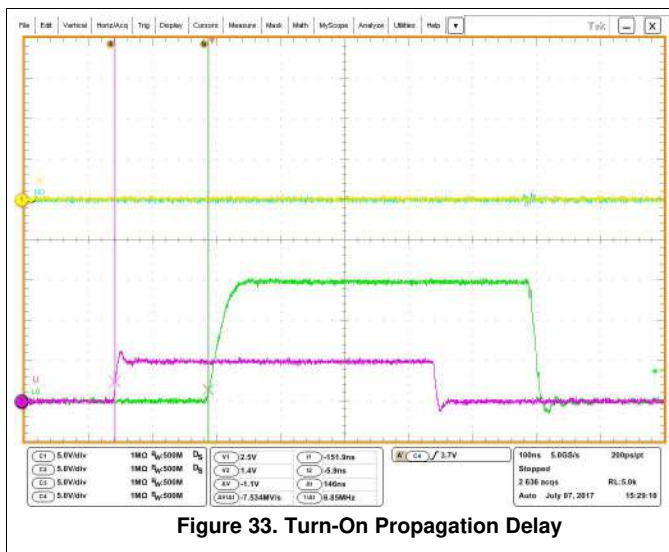
### 8.3.5 Level Shift

The level shift circuit (refer to the [Functional Block Diagram](#)) is the interface from the high-side input to the high-side driver stage which is referenced to the switch node (HS). It is a pulsed generated level shifter. With an input signal the pulse generator generates "on" pulses based on the rising edge of the signal and "off" pulses based on the falling edge. On pulses and off pulses turn on each branch of the level shifter so that current flows in each branch to generate different voltages, which is transferred to the set and reset signal in the high side. The signal is rebuilt by the RS latch in the high side domain. The level shift allows control of the HO output referenced to the HS pin and provides excellent delay matching with the low-side driver.

The level shifter in UCC27710 offers best-in-class capability while operating under negative voltage conditions on HS pin. The level shifter is able to transfer signals from the HI input to HO output with only 4-V headroom between HB and COM. Refer to [Operation Under Negative HS Voltage Condition](#) for detailed explanations.

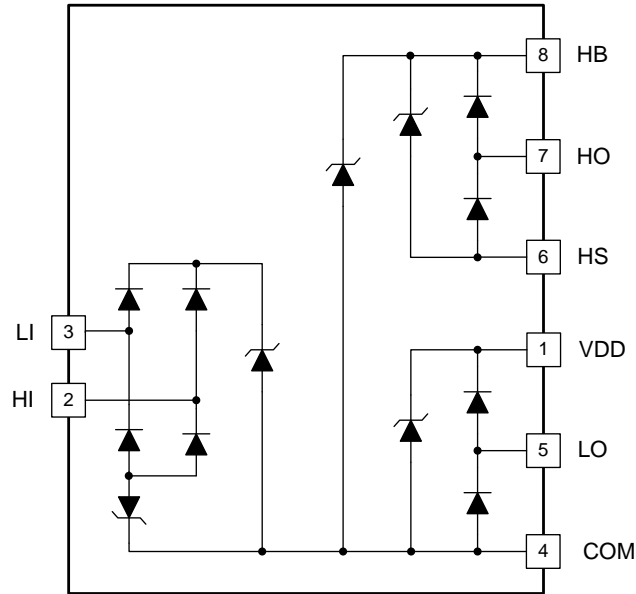
### 8.3.6 Low Propagation Delays and Tightly Matched Outputs

The UCC27710 features excellent, 140-ns (typical) propagation delay between input and output in high voltage 600-V driver, which goes to offer a low level of pulse width distortion.



**8.3.7 Parasitic Diode Structure**

Figure 35 illustrates the multiple parasitic diodes involved in the ESD protection components of UCC27710 device. This provides a pictorial representation of the absolute maximum rating for the device.

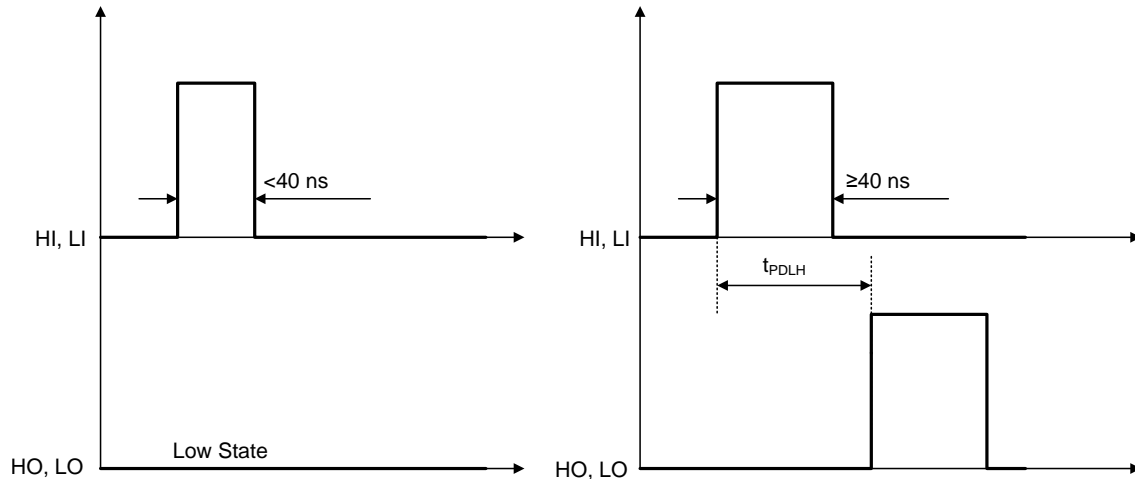


**Figure 35. ESD Structure**

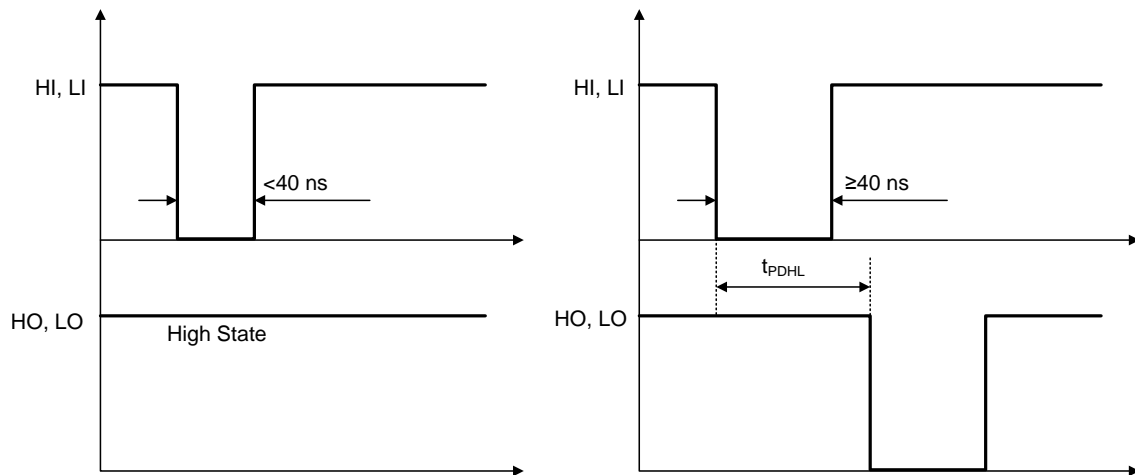
## 8.4 Device Functional Modes

### 8.4.1 Minimum Input Pulse Operation

The UCC27710 device has a minimum turn-on, turn-off pulse transfer function to the output pin from the input pin. This function ensures UCC27710 is in the correct state when the input signal is very narrow. The function is summarized in [Figure 36](#) and [Figure 37](#). The  $t_{ON}$  which is 40 ns typical is shown in [Figure 36](#) and  $t_{OFF}$  which is 40 ns typical is shown in [Figure 37](#)



**Figure 36. Minimum Turn-On Pulse**



**Figure 37. Minimum Turn-Off Pulse**

## Device Functional Modes (continued)

### 8.4.2 Output Interlock and Dead Time

The UCC27710 has cross-conduction prevention logic, which is a feature that does not allow both the high-side and low-side outputs to be in high state simultaneously. In bridge power supply topologies, such as half-bridge or full-bridge, the UCC27710 interlock feature will prevent the high-side and low-side power switches to be turned on simultaneously. The UCC27710 generates a fixed minimum dead time of  $t_{DT}$  which is 150 ns nominal in the case of LI and HI overlap or no dead time. Figure 38 illustrates the mode of operation where LI and HI have no dead time and HO and LO outputs have the minimum dead time of  $t_{DT}$ .

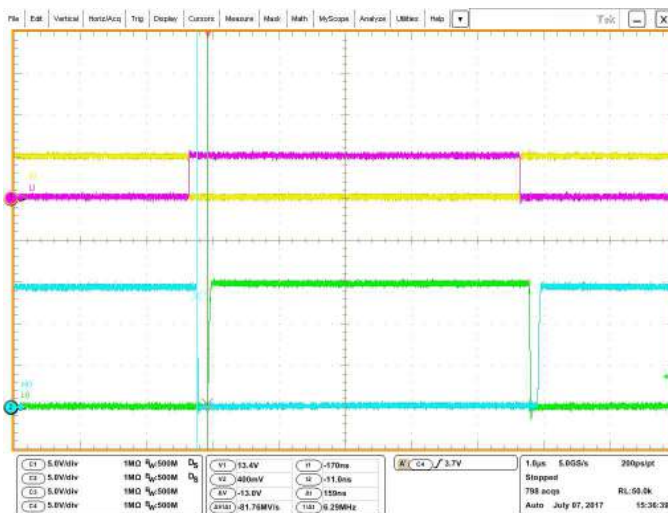
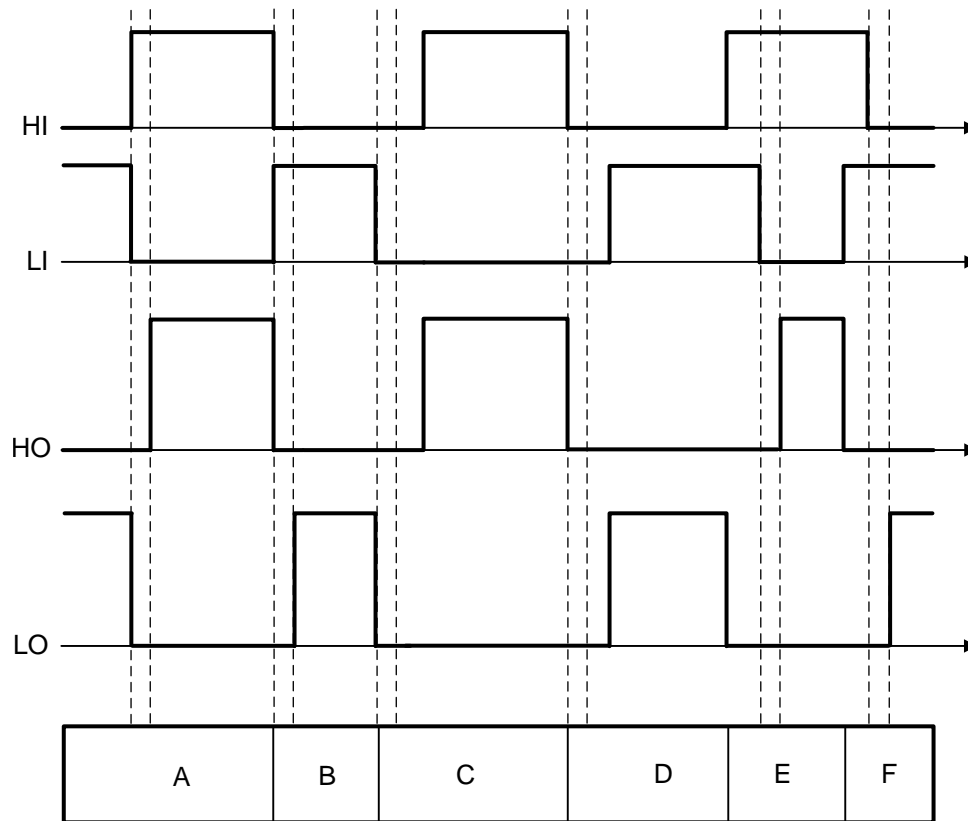


Figure 38. HO and LO Minimum Dead Time with LI HI Complementary

**Device Functional Modes (continued)**

An input signal's falling edge activates the dead time for the other signal. The output signal's dead time is always set to the longer of either the driver's minimum dead time,  $t_{DT}$ , or the input signal's own dead time. If both inputs are high simultaneously, both outputs will immediately be set low. This feature is used to prevent cross conduction, and it does not affect the programmed dead time setting for normal operation. Various driver dead time logic operating conditions are illustrated and explained in [Figure 39](#).



**Figure 39. Input and Output Logic Relationship**

**Condition A:** HI goes high, LI goes low. LI sets LO low immediately and assigns  $t_{DT}$  to HO. HO is allowed to go high after  $t_{DT}$ .

**Condition B:** LI goes high, HI goes low. HI sets HO low immediately and assigns  $t_{DT}$  to LO. LO is allowed to go high after  $t_{DT}$ .

**Condition C:** LI goes low, HI is still low. LI sets LO low immediately and assigns  $t_{DT}$  to HO. In this case, the input signal's own dead time is longer than  $t_{DT}$ . Thus when HI goes high HO is set high immediately.

**Condition D:** HI goes low, LI is still low. HI sets HO low immediately and assigns  $t_{DT}$  to LO. In this case, the input signal's own dead time is longer than  $t_{DT}$ . Thus when LI goes high LO is set high immediately.

**Condition E:** HI goes high, while LI and LO are still high. To avoid cross-conduction, HI immediately sets LO low and keeps HO low. After some time LI goes low and assigns  $t_{DT}$  to HO. LO is already low. After  $t_{DT}$  HO is allowed to go high.

**Condition F:** LI goes high, while HI and HO are still high. To avoid cross-conduction, LI immediately sets HO low and keeps LO low. After some time HI goes low and assigns  $t_{DT}$  to LO. HO is already low. After  $t_{DT}$  LO is allowed to go high.

## Device Functional Modes (continued)

### 8.4.3 Operation Under 100% Duty Cycle Condition

The UCC27710 allows constant on or constant off operation (0% and/or 100% duty cycle) as long as the VDD and VHB bias supplies are maintained above the UVLO thresholds. This is a challenge when boot-strap supplies are used for VHB. However, when a dedicated bias supply is used, constant on or constant off conditions can be supported. Also consider the HI and LI interlock function prevents both outputs from being high.

### 8.4.4 Operation Under Negative HS Voltage Condition

A typical half-bridge configuration with UCC27710 is shown in Figure 40. There are parasitic inductances in the power circuit from die bonding and pinning in QT/QB and PCB tracks of power circuit, the parasitic inductances are labeled  $L_{K1,2,3,4}$ .

During switching of HS caused by turning off HO, the current path of power circuit is changed to current path 2 from current path 1. This is known as current commutation. The current across  $L_{K3}$ ,  $L_{K4}$  and body diode of QB pulls HS lower than COM. The negative voltage of HS with respect to COM causes a logic error of HO if the driver cannot handle negative voltage of HS. However, the UCC27710 offers robust operation under these conditions of negative voltage on HS.

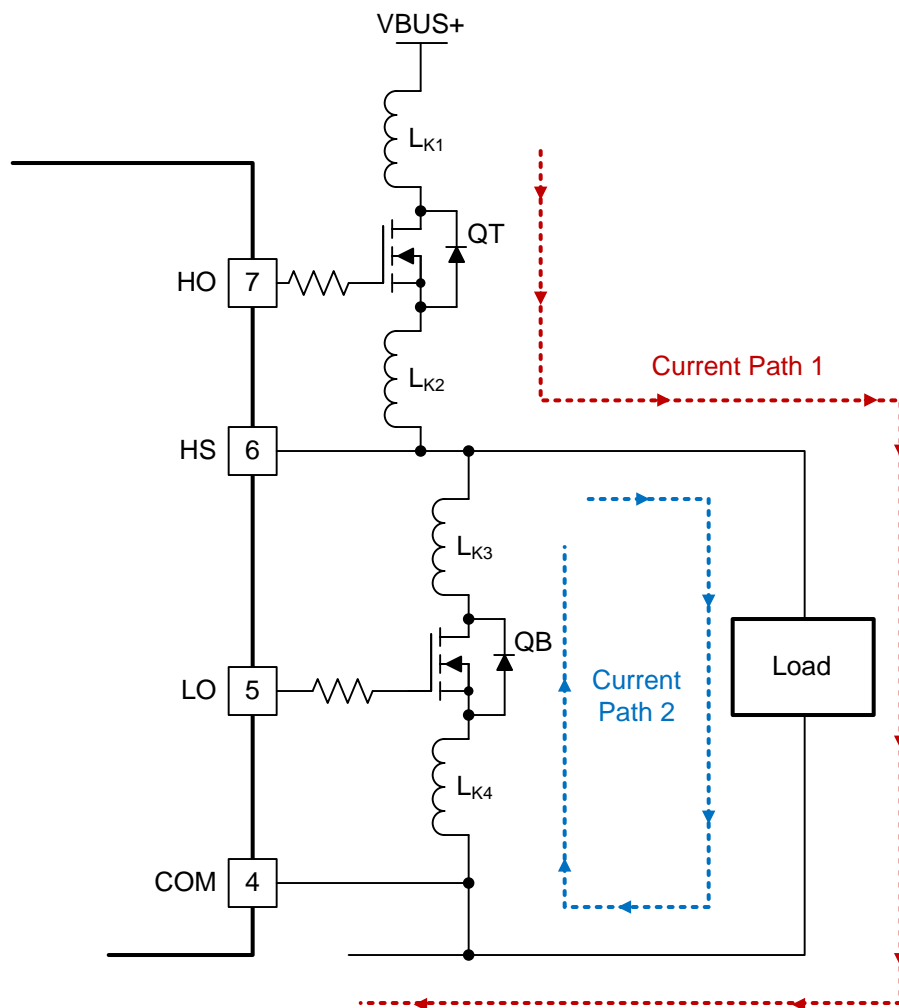
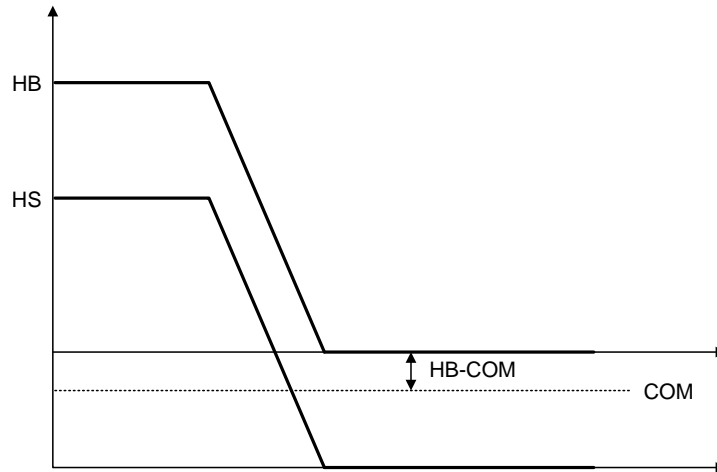


Figure 40. HS Negative Voltage In Half-Bridge Configuration

**Device Functional Modes (continued)**

The level shifter circuit is with respect to COM (refer to [Functional Block Diagram](#)), the voltage from HB to COM is the supply voltage of level shifter. Under the condition of HS is negative voltage with respect to COM, the voltage of HB-COM is decreased, as shown in [Figure 41](#). There is a minimum operational supply voltage of level shifter, if the supply voltage of level shifter is too low, the level shifter cannot pass through HI signal to HO. The minimum supply voltage of level shifter of UCC27710 is 4 V, so the recommended HS specification is dependent on HB-HS. The specification of recommended HS is -11 V at HB – HS = 15 V.

In general, HS can operate until -11 V when HB – HS = 15 V as the ESD structure in [Figure 35](#) allows a maximum voltage difference of 20 V between both pins. If HB-HS voltage is different, the minimum HS voltage changes accordingly.



**Figure 41. Level Shifter Supply Voltage with Negative HS**

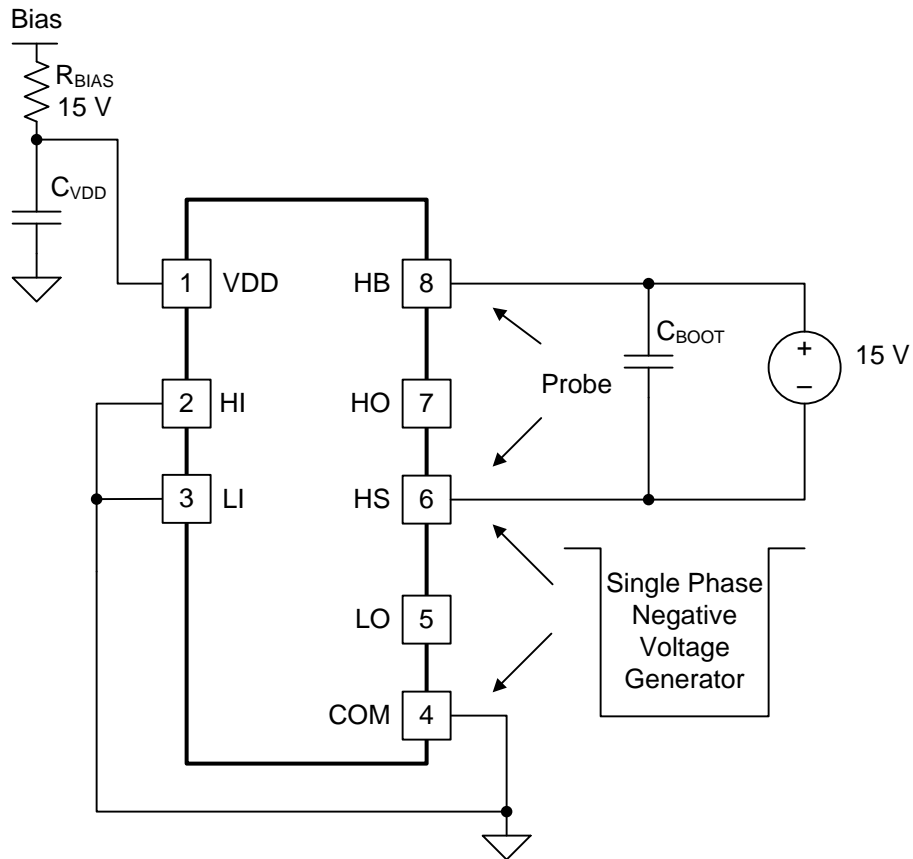
**NOTE**

Logic operational for HS of -11 V to 600 V at HB – HS = 15 V

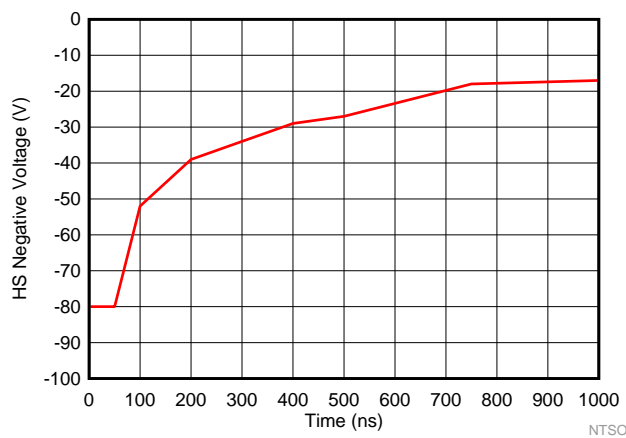


**Device Functional Modes (continued)**

The capability of a typical UCC27710 device to operate under a negative voltage condition in HS pin is reported in Figure 43. The test method is shown in Figure 42.



**Figure 42. Negative Voltage Test Method**



**Figure 43. HS Negative Voltage Chart Pulse Width vs HS Negative Voltage**



## Typical Application (continued)

### 9.2.1 Design Requirements

Table 4 shows the reference design parameters for the example application: UCC27710 for driving 650-V MOSFETs in a high side-low side configuration.

**Table 4. UCC27710 Design Requirements**

PARAMETER	VALUE	UNIT
Power Transistor	IPB65R420CFD	-
VDD	12	V
Input signal amplitude	3.3	V
Switching Frequency ( $f_{SW}$ )	100	kHz
DC Link Voltage ( $V_{HV}$ )	400	V

### 9.2.2 Detailed Design Procedure

This procedure outlines the steps to design a 600-V high-side, low-side gate driver with 0.5-A source and 1.0-A sink current capability, targeted to drive power MOSFETs or IGBTs using the UCC27710. Refer to Figure 44 for component names and network locations. For additional design help see the UCC27710EVM-005 User Guide, SLUUBQ6.

#### 9.2.2.1 Selecting HI and LI Low Pass Filter Components ( $R_{HI}$ , $R_{LI}$ , $C_{HI}$ , $C_{LI}$ )

It is recommended that users avoid shaping the input signals to the gate driver in an attempt to slow down (or delay) the signal at the driver output. However it is good practice to have a small RC filter added between PWM controller and input pin of UCC27710 to filter the high frequency noise, like  $R_{HI}/C_{HI}$  and  $R_{LI}/C_{LI}$  which is shown in Figure 44.

Such a filter should use a  $R_{HI}/R_{LI}$  in the range of 10  $\Omega$  to 100  $\Omega$  and a  $C_{HI}/C_{LI}$  between 10 pF and 220 pF. In the example, a  $R_{HI}/R_{LI} = 49.9 \Omega$  and a  $C_{HI}/C_{LI} = 33$  pF are selected.

#### 9.2.2.2 Selecting Bootstrap Capacitor ( $C_{BOOT}$ )

The bootstrap capacitor should be sized to have more than enough energy to drive the gate of FET Q1 high, and maintain a stable gate drive voltage for the power transistor.

The total charge needed per switching cycle can be estimated with:

$$Q_{Total} = Q_G + \frac{I_{QBS}}{f_{SW}} = 31.5\text{nC} + \frac{65\mu\text{A}}{f_{SW}} = 32.15\text{nC} \quad (1)$$

This design example targets a boot capacitor ripple voltage of 0.5 V. Therefore, the absolute minimum  $C_{BOOT}$  requirement is:

$$C_{BOOT} = \frac{Q_{TOTAL}}{\Delta V_{BOOT}} = \frac{32.15\text{nC}}{0.5\text{V}} \approx 64.3\text{nF} \quad (2)$$

In practice, the value of  $C_{BOOT}$  needs to be greater than the calculated value. This allows for capacitance shift from DC bias and temperature, and also skipped cycles that occur during load transients. For this design example a 220-nF capacitor was chosen for the bootstrap capacitor.

$$C_{BOOT} = 220\text{nF} \quad (3)$$

### 9.2.2.3 Selecting VDD Bypass/Holdup Capacitor ( $C_{VDD}$ ) and $R_{bias}$

The VDD capacitor ( $C_{VDD}$ ) should be chosen to be at least 10 times larger than  $C_{BOOT}$  so there is minimal voltage drop on the VDD capacitor when charging the boot capacitor. For this design example a 2.2- $\mu$ F capacitor was selected.

$$C_{VDD} \geq 10 \times C_{BOOT} = 2.2 \mu\text{F} \tag{4}$$

A 10- $\Omega$  resistor  $R_{BIAS}$  in series with bias supply and VDD pin is recommended to make the VDD ramp up time larger than 20  $\mu$ s to minimize LO and HO rising as shown in Figure 45

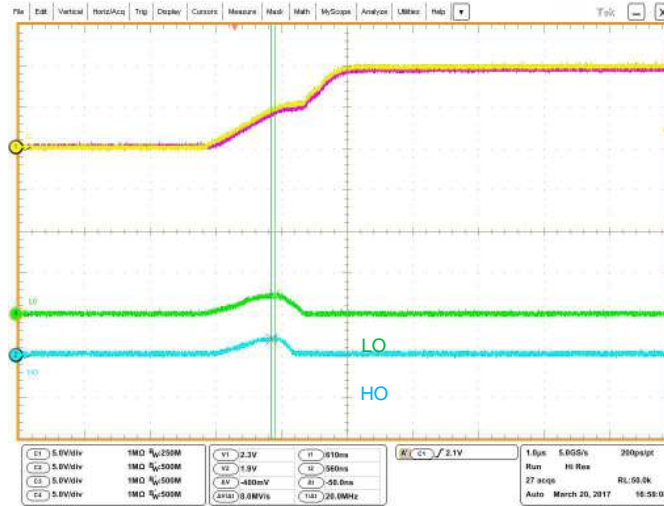


Figure 45. VDD/HB-HS Fast Ramp Up

### 9.2.2.4 Selecting Bootstrap Resistor ( $R_{BOOT}$ )

Resistor  $R_{BOOT}$  is selected to limit the current in  $D_{BOOT}$  and limit the ramp up slew rate of voltage of HB-HS to avoid the phenomenon shown in Figure 45. It is recommended when using the UCC27710 that  $R_{BOOT}$  is between 2  $\Omega$  and 20  $\Omega$ . For this design we selected an  $R_{BOOT}$  current limiting resistor of 2.2  $\Omega$ . The bootstrap diode current ( $I_{D_{BOOT(pk)}}$ ) was limited to roughly 5.0 A.

$$I_{D_{BOOT(pk)}} = \frac{V_{DD} - V_{D_{BOOT}}}{R_{BOOT}} = \frac{12\text{V} - 1\text{V}}{2.2\Omega} = 5.0\text{A} \tag{5}$$

The power dissipation capability of the bootstrap resistor is important. The bootstrap resistor must be able to withstand the short period of high power dissipation during the initial charging sequence of the boot-strap capacitor. This energy is equivalent to  $1/2 \times C_{BOOT} \times V^2$ . This energy is dissipated during the charging time of the bootstrap capacitor ( $\sim 3 \times R_{BOOT} \times C_{BOOT}$ ). Special attention must be paid to use a bigger size  $R_{BOOT}$  when a bigger value of  $C_{BOOT}$  is chosen.

### 9.2.2.5 Selecting Gate Resistor $R_{ON}/R_{OFF}$

Resistor  $R_{ON}$  and  $R_{OFF}$  are sized to achieve the following:

- Limit ringing caused by parasitic inductances and capacitances.
- Limit ringing caused by high voltage/current switching  $dV/dt$ ,  $dI/dt$ , and body diode reverse recovery.
- Fine-tune gate drive strength to optimize switching loss.
- Reduce electromagnetic interference (EMI).

As mentioned in Output Stage, the UCC27710 has a pull up structure with a P-channel MOSFET providing a peak source current of 0.5A.

For this example 10- $\Omega$  resistors for  $R_{ON}$  and 5.1- $\Omega$  resistors for  $R_{OFF}$  were selected to provide damping for ringing and adequate gate drive current.

$$R_{ON} = 10\Omega, R_{OFF} = 5.1\Omega \quad (6)$$

Therefore the peak source current can be predicted with:

$$I_{HO+} = \text{MIN} \left( 0.5 \text{ A}, \frac{V_{DD} - V_{DBOOT}}{R_{HOH} + R_{ON} + R_{GFET\_Int}} \right) \quad (7)$$

$$I_{LO+} = \text{MIN} \left( 0.5 \text{ A}, \frac{V_{DD}}{R_{LOH} + R_{ON} + R_{GFET\_Int}} \right) \quad (8)$$

where

- $R_{ON}$ : External turn-on resistance
- $R_{GFET\_Int}$ : Power transistor internal gate resistance, found in the power transistor datasheet.
- $I_{O+}$  = Peak source current. The maximum values between 0.5 A, the UCC27710 peak source current, and the calculated value based on the gate drive loop resistance.

In this example:

$$I_{HO+} = \frac{V_{DD} - V_{DBOOT}}{R_{HOH} + R_{ON} + R_{GFET\_Int}} = \frac{12\text{V} - 0.6\text{V}}{9.5\Omega + 10.0\Omega + 4.0\Omega} \approx 0.49 \text{ A} \quad (9)$$

$$I_{LO+} = \frac{V_{DD}}{R_{LOH} + R_{ON} + R_{GFET\_Int}} = \frac{12\text{V}}{9.5\Omega + 10\Omega + 4.0\Omega} \approx 0.51 \text{ A} \quad (10)$$

Therefore, the high-side and low side peak source current is  $\sim 0.5$  A. Similarly, the peak sink current can be calculated with:

$$I_{HO-} = \text{MIN} \left( 1.0 \text{ A}, \frac{V_{DD} - V_{DBOOT} - V_{DGATE}}{R_{HOL} + R_{OFF} + R_{GFET\_Int}} \right) \quad (11)$$

$$I_{LO-} = \text{MIN} \left( 1.0 \text{ A}, \frac{V_{DD} - V_{DGATE}}{R_{LOL} + R_{OFF} + R_{GFET\_Int}} \right) \quad (12)$$

where

- $R_{OFF}$ : External turn-off resistance
- $V_{DGATE}$ : The diode forward voltage drop which is in series with  $R_{OFF}$ . The diode in this example is an MBRM130L.
- $I_{O-}$  = Peak sink current. The maximum values between 1.0 A, the UCC27710 peak sink current, and the calculated value based on the gate drive loop resistance.

In this example:

$$I_{HO-} = \frac{V_{DD} - V_{DBOOT} - V_{DGATE}}{R_{HOL} + R_{ON} + R_{GFET\_Int}} = \frac{12\text{V} - 0.6\text{V} - 0.6\text{V}}{2.45\Omega + 5.1\Omega + 4.0\Omega} \approx 0.94 \text{ A} \quad (13)$$

$$I_{LO-} = \frac{V_{DD} - V_{DGATE}}{R_{LOL} + R_{ON} + R_{GFET\_Int}} = \frac{12\text{V} - 0.6\text{V}}{2.45\Omega + 5.1\Omega + 4.0\Omega} \approx 0.99 \text{ A} \quad (14)$$

### 9.2.2.6 Selecting Bootstrap Diode

A fast recovery diode should be chosen to avoid charge being taken away from the bootstrap capacitor. Thus, a fast reverse recovery time  $t_{RR}$ , low forward voltage  $V_F$  and low junction capacitance is recommended.

Suggested parts include MURA160T3G and BYG20J.

### 9.2.2.7 Estimate the UCC27710 Power Losses ( $P_{UCC27710}$ )

The power losses of UCC27710 ( $P_{UCC27710}$ ) are estimated by calculating losses from several components. The gate drive loss in the UCC27710 is typically dominated by gate drive losses associated with charging and discharging the power device gate charge. There are other losses to consider outlined below.

To determine the UCC27710 operating with no driver load, refer to the Typical Characteristics [Figure 26](#) for  $I_{DD}$  and  $I_{HB}$  to determine the operating current at the appropriate  $f_{SW}$ . The operating current power losses with no driver load are calculated in [Equation 15](#):

$$P_Q = V_{VDD} \times (I_{VDD,100kHz} + I_{HB,100kHz}) = 12V \times (310 \mu A + 350 \mu A) \approx 8mW \quad (15)$$

Static losses due to leakage current ( $I_{BL}$ ) are calculated from the HB high-voltage node as shown in [Equation 16](#):

$$P_{IBL} = V_{HB} \times I_{BL} \times D = 400V \times 20\mu A \times 0.5 = 4mW \quad (16)$$

[Equation 17](#) calculates dynamic losses during the operation of the level shifter at HO turn-off edge.  $Q_P$ , typically 0.6 nC, is the charge absorbed by the level shifter during operation at each edge. Please note that if high-voltage switching occurs during HO turn-on as well (as in the case of ZVS topologies), then the power loss due to this component must be effectively doubled.

$$P_{LevelShift} = [V_{HV} + (V_{HB} - V_{HS})] \times Q_P \times f_{SW} = 411.4V \times 0.6nC \times 100kHz = 24.7mW \quad (17)$$

where

- $V_{HV}$ : DC link high voltage input in V
- $f_{SW}$ : Switching frequency of converter in Hz.

Dynamic losses incurred due to the gate charge while driving the FETs Q1 and Q2 are calculated [Equation 18](#). Please note that this component typically dominates over the dynamic losses related to the internal VDD and VHB switching logic circuitry in UCC27710. The losses incurred driving the gate charge are not all dissipated in the gate driver device, this includes losses in the external gate resistance and internal power switch gate resistance.

$$P_{QG1,QG2} = 2 \times V_{VDD} \times Q_G \times f_{SW} = 2 \times 12V \times 32.15nC \times 100kHz = 77.2mW \quad (18)$$

The UCC27710 gate driver loss on the output stage,  $P_{GDO}$ , is part of  $P_{QG1,QG2}$ . If the external gate resistances are zero most of the  $P_{QG1,QG2}$  will be dissipated in the UCC27710. If there are external gate resistances, the total loss will be distributed between the gate driver pull-up/down resistances and the external gate resistances.

The gate drive power dissipated within the UCC27710 driver can be determined by [Equation 19](#):

$$P_{GDO} = \frac{P_{QG1,QG2}}{2} \times \left( \frac{R_{HOH}}{R_{HOH} + R_{ON} + R_{GFET\_Int}} + \frac{R_{HOL}}{R_{HOL} + R_{OFF} + R_{GFET\_Int}} \right) \quad (19)$$

In this example the gate drive related losses are approximately 24 mW as shown in [Equation 19](#):

$$P_{GDO} = \frac{77.2mW}{2} \times \left( \frac{9.5\Omega}{9.5\Omega + 10\Omega + 4.0\Omega} + \frac{2.45\Omega}{2.45\Omega + 5.1\Omega + 4.0\Omega} \right) \approx 23.8mW \quad (20)$$

For the conditions,  $V_{DD}=12V$ ,  $V_{HB} = 400V$ , HO On-state Duty cycle  $D = 50\%$ ,  $Q_G = 31nC$ ,  $f_{SW} = 100kHz$ , the total power loss in UCC27710 driver for a half bridge power supply topology can be estimated as follows:

$$P_{UCC27710} = P_Q + P_{IBL} + P_{LevelShift} + P_{GDO} = 8mW + 4mW + 25mW + 24mW = 61mW \quad (21)$$

### 9.2.2.8 Estimating Junction Temperature

The junction temperature can be estimated with:

$$T_J = T_C + \Psi_{JT} \times P_{UCC27710} \tag{22}$$

where

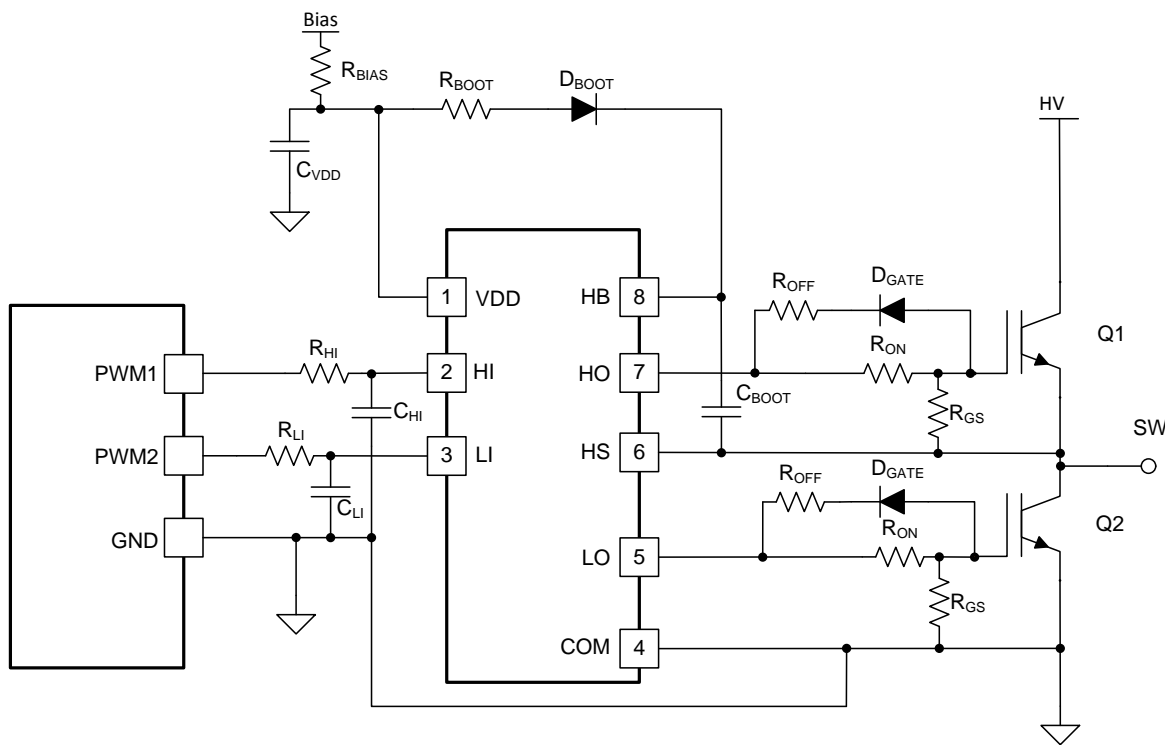
- $T_C$  is the UCC27710 case-top temperature measured with a thermocouple or some other instrument. and
- $\Psi_{JT}$  is the junction-to-top characterization parameter from the Thermal Information table.

Using the junction-to-top characterization parameter ( $\Psi_{JT}$ ) instead of the junction-to-case thermal resistance ( $R_{\theta JC}$ ) can greatly improve the accuracy of estimating the junction temperature. The majority of the power dissipation of most devices is released into the PCB through the package leads, whereas only a small percentage of the total dissipation is released through the top of the case (where thermocouple measurements are usually taken).  $R_{\theta JC}$  can only be used effectively when most of the thermal energy is released through the case, such as with metal packages or a heatsink is applied to the device package. In other cases  $R_{\theta JC}$  will inaccurately estimate the true junction temperature of the device.  $\Psi_{JT}$  is experimentally derived by assuming the amount of thermal energy dissipated through the top of the device will be similar in both the testing environment and the application environment. As long as the recommended layout guidelines are observed, junction temperature can be estimated accurately to within a few degrees Celsius. For more information, see the Semiconductor and IC Package Thermal Metrics application report.

Additional Considerations: In the application example schematic there are 10-k $\Omega$  resistors across the gate and source terminals of FET Q1 and Q2. These resistors are placed across these nodes to ensure FETs Q1 and Q2 are not turned on if the UCC27710 is not in place or properly soldered to the circuit board or if UCC27710 is in an unbiased state.

### 9.2.2.9 Operation With IGBT's

The UCC27710 is well suited for driving IGBT's in various applications including motor drive and inverters. The design procedure is as the previous MOSFET example but the VDD voltage is typically 15 V to drive IGBT devices. Use the power transistor parameters and application specifications to determine the detail design and component values. See Figure 46 below for a typical IGBT application.



Copyright © 2017, Texas Instruments Incorporated

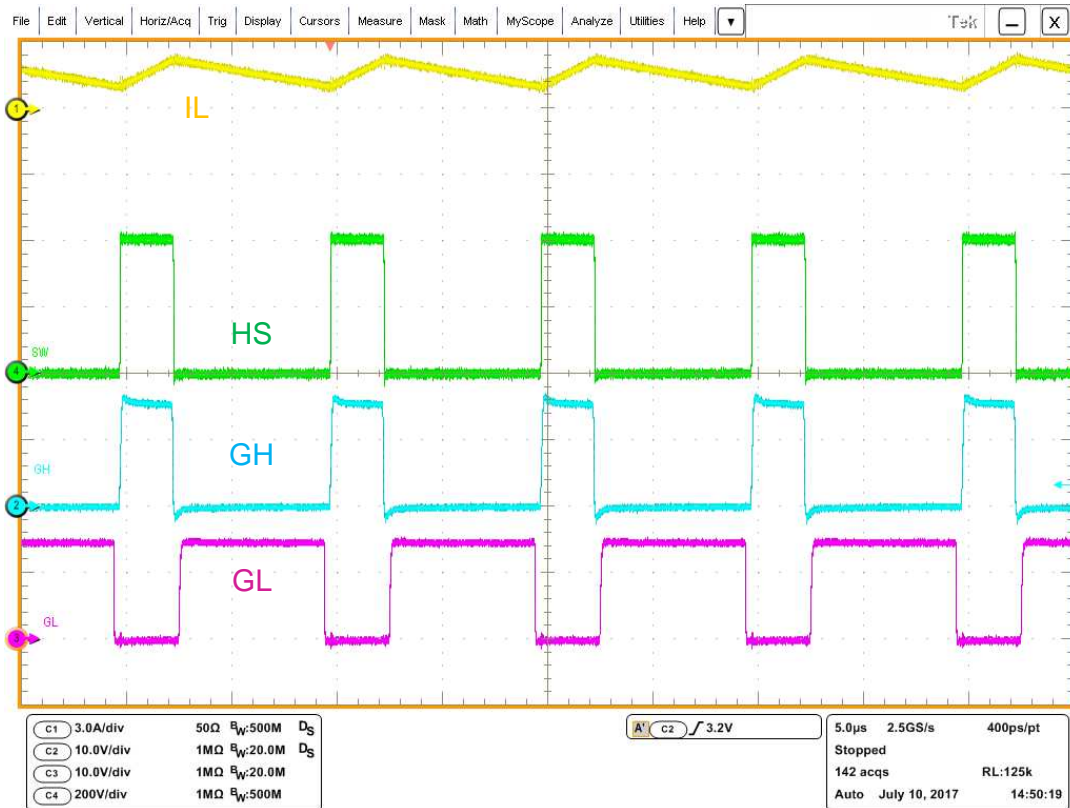
Figure 46. Typical IGBT Application Schematic

# UCC27710

SLUSD05B – OCTOBER 2017 – REVISED AUGUST 2018

www.ti.com

Refer to [Figure 47](#) below for the UCC27710 driving 27-A, 650-V IGBT's in a high voltage sync buck configuration. The input voltage is 400 V, output 100 V with a 150-W output load. Channel 1 is the inductor current, Channel 2 is high-side IGBT VGE, Channel 3 is low-side IGBT VGE, and Channel 4 is the switch node or HS voltage.



**Figure 47. IGBT Sync-Buck Operating at 400 V and 150 W**



### 9.2.3 Application Curves

Figure 48 and Figure 49 show the measured LI to LO turn-on and turn-off delay of one UCC27710 device. Channel 3 depicts LI and Channel 4 LO.

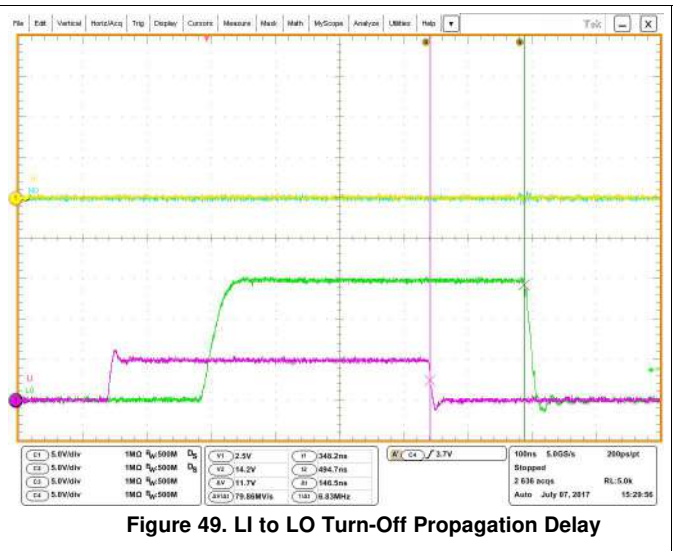
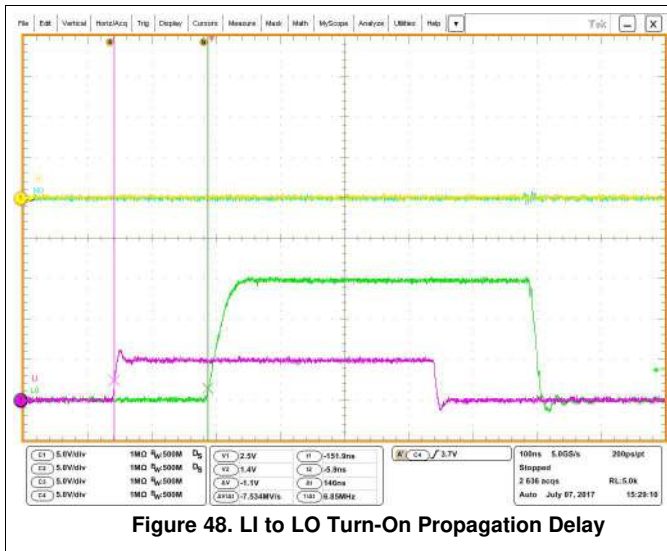
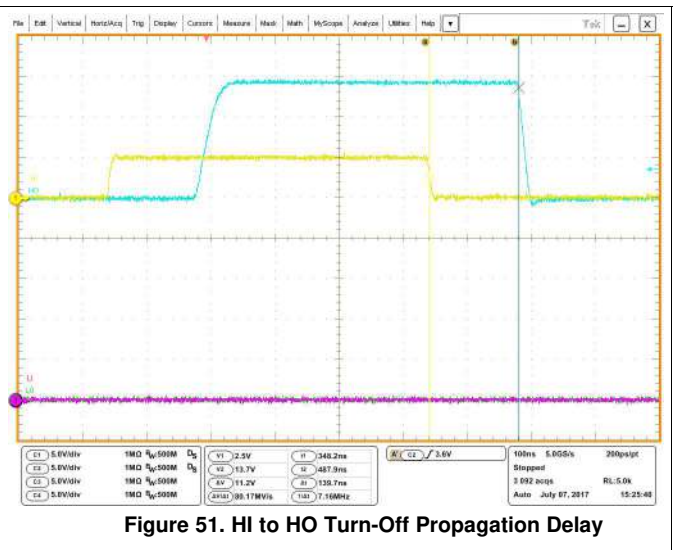
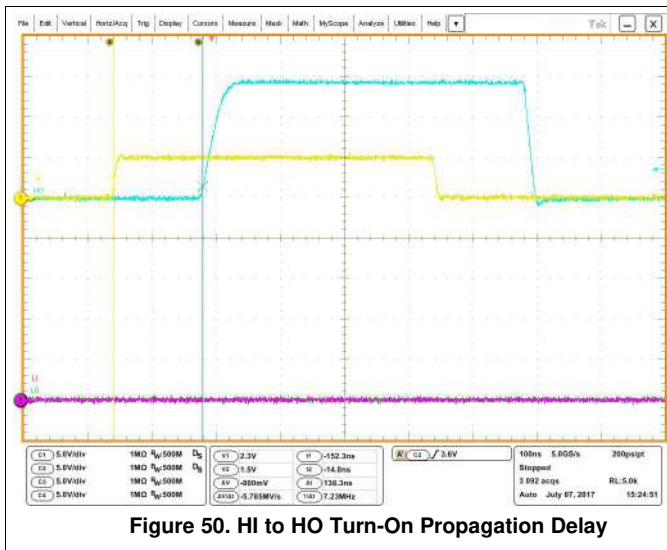


Figure 50 and Figure 51 show the measured HI to HO turn-on and turn-off delay of one UCC27710 device. Channel 1 depicts HI and Channel 2 HO.



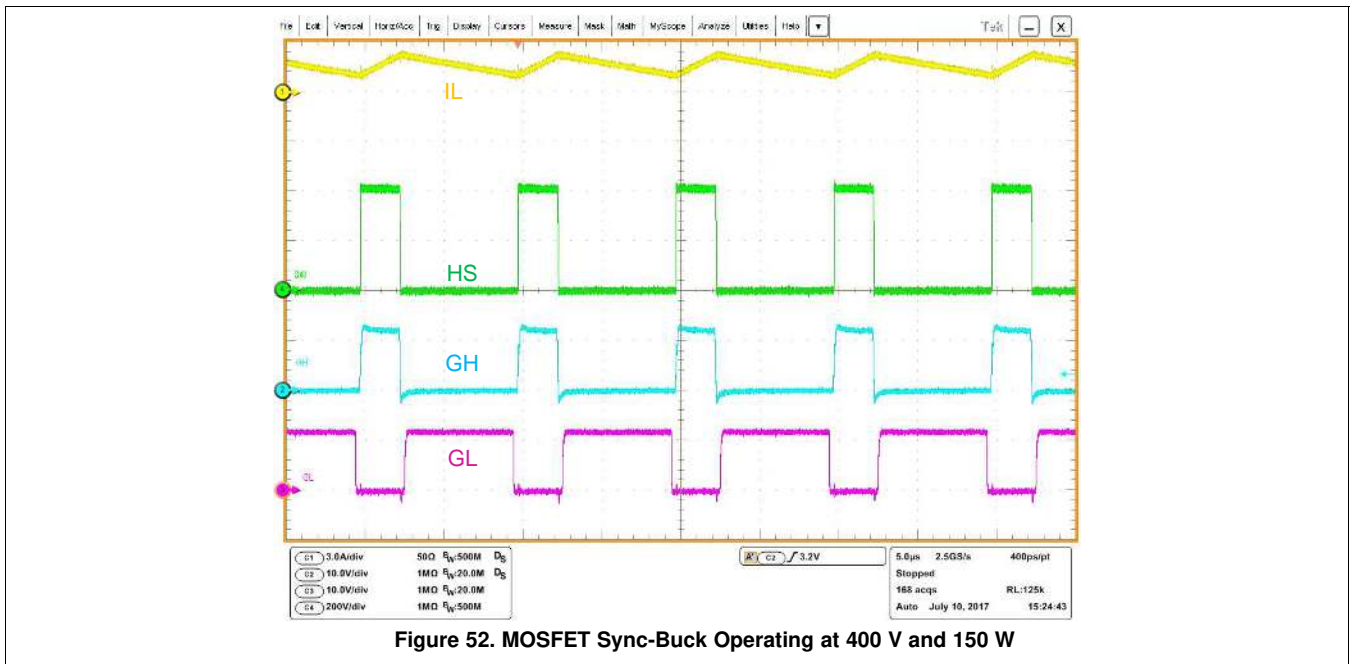


Figure 52. MOSFET Sync-Buck Operating at 400 V and 150 W

Figure 52 shows UCC27710 operating in a high voltage sync-buck. Channel 1 depicts inductor current, Channel 2 high side MOSFET VGS, Channel 3 low side MOSFET VGS, and Channel 4 high voltage switch node.

## 10 Power Supply Recommendations

The VDD power terminal for the device requires the placement of an energy storage capacitor, because of UCC27710 is 0.5-A, peak-current driver. And requires the placement of low-esr noise-decoupling capacitance as directly as possible from the VDD terminal to the COM terminal, ceramic capacitors with stable dielectric characteristics over temperature are recommended, such as X7R or better.

The recommended storage capacitor is an X7R, 50-V capacitor. The recommended decoupling capacitors are a 1- $\mu$ F 0805-sized 50-V X7R capacitor as a minimum value, ideally with (but not essential) a second smaller parallel 100-nF 0603-sized 50-V X7R capacitor.

Similarly, a low-esr X7R capacitance is recommended for the HB-HS power terminals which must be placed as close as possible to device pins.

## 11 Layout

### 11.1 Layout Guidelines

- Locate UCC27710 as close as possible to the MOSFETs in order to minimize the length of high-current traces between the HO/LO and the Gate of MOSFETs, as well as the return current path to the driver HS and COM.
- A resistor in series with bias supply and VDD pin is recommended.
- Locate the VDD capacitor (CVDD) and VHB capacitor (CBOOT) as close as possible to the pins of UCC27710.
- A 2- $\Omega$  to 20- $\Omega$  resistor series with bootstrap diode is recommended to limit bootstrap current.
- A RC filter with 10  $\Omega$  to 100  $\Omega$  and 10 pF to 220 pF for HI/LI is recommended.
- Separate power traces and signal traces, such as output and input signals.
- Maintain as much separation as possible from the from the low voltage pins and floating drive HB, HO and HS pins.
- Ensure there is not high switching current flowing in the control ground (input signal reference) from the power train ground.

### 11.2 Layout Example

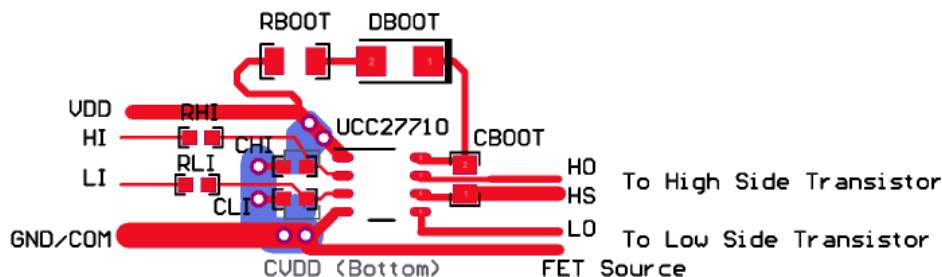


Figure 53. UCC27710 Layout Example

## 12 Device and Documentation Support

### 12.1 Documentation Support

#### 12.1.1 Related Documentation

User Guide, *Using the UCC27710EVM-005*, ([SLUUBQ6](#))

### 12.2 Related Links

The table below lists quick access links. Categories include technical documents, support and community resources, tools and software, and quick access to sample or buy.

**Table 5. Related Links**

PARTS	PRODUCT FOLDER	SAMPLE & BUY	TECHNICAL DOCUMENTS	TOOLS & SOFTWARE	SUPPORT & COMMUNITY
UCC27710	<a href="#">Click here</a>	<a href="#">Click here</a>	<a href="#">Click here</a>	<a href="#">Click here</a>	<a href="#">Click here</a>

### 12.3 Community Resources

The following links connect to TI community resources. Linked contents are provided "AS IS" by the respective contributors. They do not constitute TI specifications and do not necessarily reflect TI's views; see TI's [Terms of Use](#).

**TI E2E™ Online Community** *TI's Engineer-to-Engineer (E2E) Community*. Created to foster collaboration among engineers. At [e2e.ti.com](http://e2e.ti.com), you can ask questions, share knowledge, explore ideas and help solve problems with fellow engineers.

**Design Support** *TI's Design Support* Quickly find helpful E2E forums along with design support tools and contact information for technical support.

### 12.4 Trademarks

E2E is a trademark of Texas Instruments.

### 12.5 Electrostatic Discharge Caution



These devices have limited built-in ESD protection. The leads should be shorted together or the device placed in conductive foam during storage or handling to prevent electrostatic damage to the MOS gates.

### 12.6 Glossary

[SLYZ022](#) — *TI Glossary*.

This glossary lists and explains terms, acronyms, and definitions.

## 13 Mechanical, Packaging, and Orderable Information

The following pages include mechanical, packaging, and orderable information. This information is the most current data available for the designated devices. This data is subject to change without notice and revision of this document. For browser-based versions of this data sheet, refer to the left-hand navigation.

**PACKAGING INFORMATION**

Orderable Device	Status (1)	Package Type	Package Drawing	Pins	Package Qty	Eco Plan (2)	Lead finish/ Ball material (6)	MSL Peak Temp (3)	Op Temp (°C)	Device Marking (4/5)	Samples
UCC27710D	ACTIVE	SOIC	D	8	75	RoHS & Green	NIPDAU	Level-2-260C-1 YEAR	-40 to 125	U27710	<a href="#">Samples</a>
UCC27710DR	ACTIVE	SOIC	D	8	2500	RoHS & Green	NIPDAU	Level-2-260C-1 YEAR	-40 to 125	U27710	<a href="#">Samples</a>

(1) The marketing status values are defined as follows:

**ACTIVE:** Product device recommended for new designs.

**LIFEBUY:** TI has announced that the device will be discontinued, and a lifetime-buy period is in effect.

**NRND:** Not recommended for new designs. Device is in production to support existing customers, but TI does not recommend using this part in a new design.

**PREVIEW:** Device has been announced but is not in production. Samples may or may not be available.

**OBsolete:** TI has discontinued the production of the device.

(2) **RoHS:** TI defines "RoHS" to mean semiconductor products that are compliant with the current EU RoHS requirements for all 10 RoHS substances, including the requirement that RoHS substance do not exceed 0.1% by weight in homogeneous materials. Where designed to be soldered at high temperatures, "RoHS" products are suitable for use in specified lead-free processes. TI may reference these types of products as "Pb-Free".

**RoHS Exempt:** TI defines "RoHS Exempt" to mean products that contain lead but are compliant with EU RoHS pursuant to a specific EU RoHS exemption.

**Green:** TI defines "Green" to mean the content of Chlorine (Cl) and Bromine (Br) based flame retardants meet JS709B low halogen requirements of <=1000ppm threshold. Antimony trioxide based flame retardants must also meet the <=1000ppm threshold requirement.

(3) MSL, Peak Temp. - The Moisture Sensitivity Level rating according to the JEDEC industry standard classifications, and peak solder temperature.

(4) There may be additional marking, which relates to the logo, the lot trace code information, or the environmental category on the device.

(5) Multiple Device Markings will be inside parentheses. Only one Device Marking contained in parentheses and separated by a "~" will appear on a device. If a line is indented then it is a continuation of the previous line and the two combined represent the entire Device Marking for that device.

(6) Lead finish/Ball material - Orderable Devices may have multiple material finish options. Finish options are separated by a vertical ruled line. Lead finish/Ball material values may wrap to two lines if the finish value exceeds the maximum column width.

**Important Information and Disclaimer:**The information provided on this page represents TI's knowledge and belief as of the date that it is provided. TI bases its knowledge and belief on information provided by third parties, and makes no representation or warranty as to the accuracy of such information. Efforts are underway to better integrate information from third parties. TI has taken and continues to take reasonable steps to provide representative and accurate information but may not have conducted destructive testing or chemical analysis on incoming materials and chemicals. TI and TI suppliers consider certain information to be proprietary, and thus CAS numbers and other limited information may not be available for release.

In no event shall TI's liability arising out of such information exceed the total purchase price of the TI part(s) at issue in this document sold by TI to Customer on an annual basis.



**TAPE AND REEL INFORMATION**

**QUADRANT ASSIGNMENTS FOR PIN 1 ORIENTATION IN TAPE**


\*All dimensions are nominal

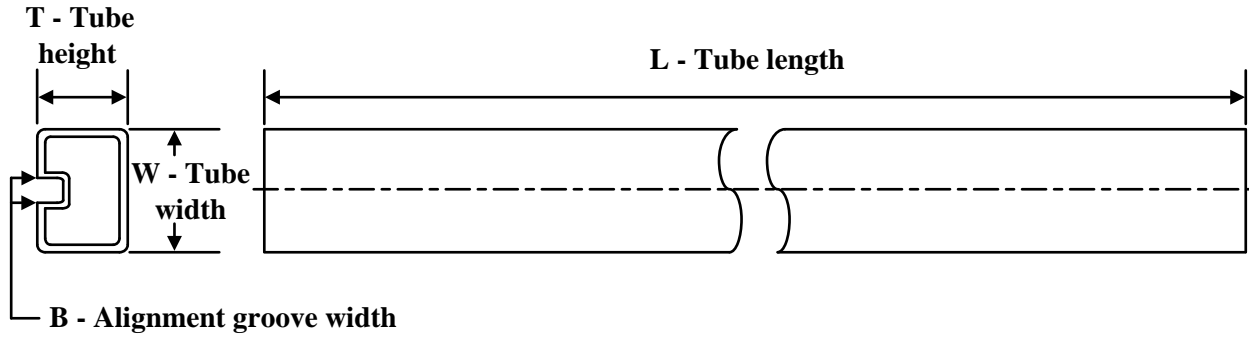
Device	Package Type	Package Drawing	Pins	SPQ	Reel Diameter (mm)	Reel Width W1 (mm)	A0 (mm)	B0 (mm)	K0 (mm)	P1 (mm)	W (mm)	Pin1 Quadrant
UCC27710DR	SOIC	D	8	2500	330.0	12.4	6.4	5.2	2.1	8.0	12.0	Q1

**TAPE AND REEL BOX DIMENSIONS**


\*All dimensions are nominal

Device	Package Type	Package Drawing	Pins	SPQ	Length (mm)	Width (mm)	Height (mm)
UCC27710DR	SOIC	D	8	2500	356.0	356.0	35.0



**TUBE**


\*All dimensions are nominal

Device	Package Name	Package Type	Pins	SPQ	L (mm)	W (mm)	T (μm)	B (mm)
UCC27710D	D	SOIC	8	75	506.6	8	3940	4.32

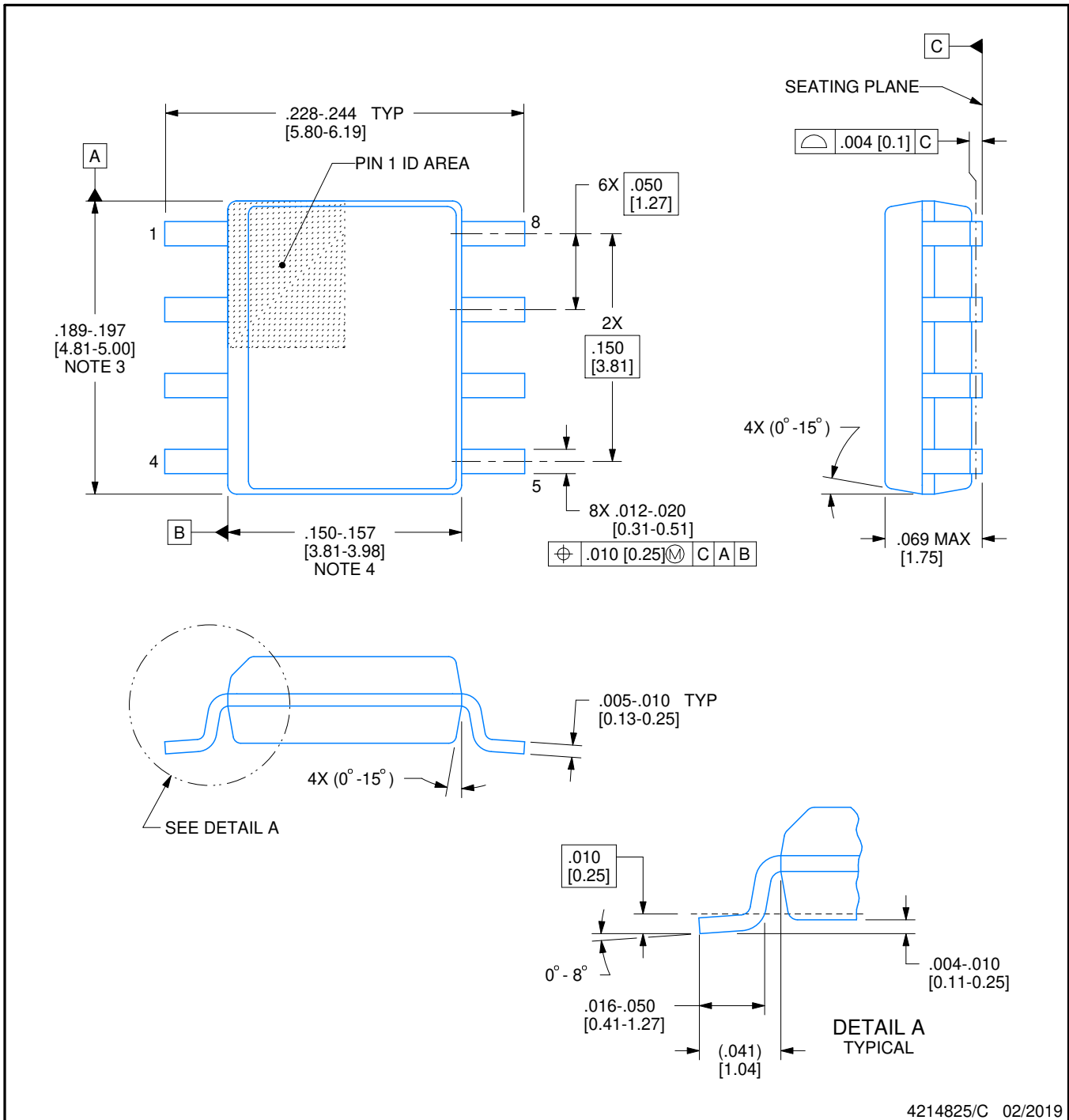


D0008A

# PACKAGE OUTLINE

SOIC - 1.75 mm max height

SMALL OUTLINE INTEGRATED CIRCUIT



4214825/C 02/2019

NOTES:

- Linear dimensions are in inches [millimeters]. Dimensions in parenthesis are for reference only. Controlling dimensions are in inches. Dimensioning and tolerancing per ASME Y14.5M.
- This drawing is subject to change without notice.
- This dimension does not include mold flash, protrusions, or gate burrs. Mold flash, protrusions, or gate burrs shall not exceed .006 [0.15] per side.
- This dimension does not include interlead flash.
- Reference JEDEC registration MS-012, variation AA.

# EXAMPLE BOARD LAYOUT

D0008A

SOIC - 1.75 mm max height

SMALL OUTLINE INTEGRATED CIRCUIT



LAND PATTERN EXAMPLE  
EXPOSED METAL SHOWN  
SCALE:8X



SOLDER MASK DETAILS

4214825/C 02/2019

NOTES: (continued)

- 6. Publication IPC-7351 may have alternate designs.
- 7. Solder mask tolerances between and around signal pads can vary based on board fabrication site.

# EXAMPLE STENCIL DESIGN

D0008A

SOIC - 1.75 mm max height

SMALL OUTLINE INTEGRATED CIRCUIT



SOLDER PASTE EXAMPLE  
BASED ON .005 INCH [0.125 MM] THICK STENCIL  
SCALE:8X

4214825/C 02/2019

NOTES: (continued)

8. Laser cutting apertures with trapezoidal walls and rounded corners may offer better paste release. IPC-7525 may have alternate design recommendations.
9. Board assembly site may have different recommendations for stencil design.

## IMPORTANT NOTICE AND DISCLAIMER

TI PROVIDES TECHNICAL AND RELIABILITY DATA (INCLUDING DATA SHEETS), DESIGN RESOURCES (INCLUDING REFERENCE DESIGNS), APPLICATION OR OTHER DESIGN ADVICE, WEB TOOLS, SAFETY INFORMATION, AND OTHER RESOURCES "AS IS" AND WITH ALL FAULTS, AND DISCLAIMS ALL WARRANTIES, EXPRESS AND IMPLIED, INCLUDING WITHOUT LIMITATION ANY IMPLIED WARRANTIES OF MERCHANTABILITY, FITNESS FOR A PARTICULAR PURPOSE OR NON-INFRINGEMENT OF THIRD PARTY INTELLECTUAL PROPERTY RIGHTS.

These resources are intended for skilled developers designing with TI products. You are solely responsible for (1) selecting the appropriate TI products for your application, (2) designing, validating and testing your application, and (3) ensuring your application meets applicable standards, and any other safety, security, regulatory or other requirements.

These resources are subject to change without notice. TI grants you permission to use these resources only for development of an application that uses the TI products described in the resource. Other reproduction and display of these resources is prohibited. No license is granted to any other TI intellectual property right or to any third party intellectual property right. TI disclaims responsibility for, and you will fully indemnify TI and its representatives against, any claims, damages, costs, losses, and liabilities arising out of your use of these resources.

TI's products are provided subject to [TI's Terms of Sale](#) or other applicable terms available either on [ti.com](http://ti.com) or provided in conjunction with such TI products. TI's provision of these resources does not expand or otherwise alter TI's applicable warranties or warranty disclaimers for TI products.

TI objects to and rejects any additional or different terms you may have proposed.

Mailing Address: Texas Instruments, Post Office Box 655303, Dallas, Texas 75265  
Copyright © 2022, Texas Instruments Incorporated