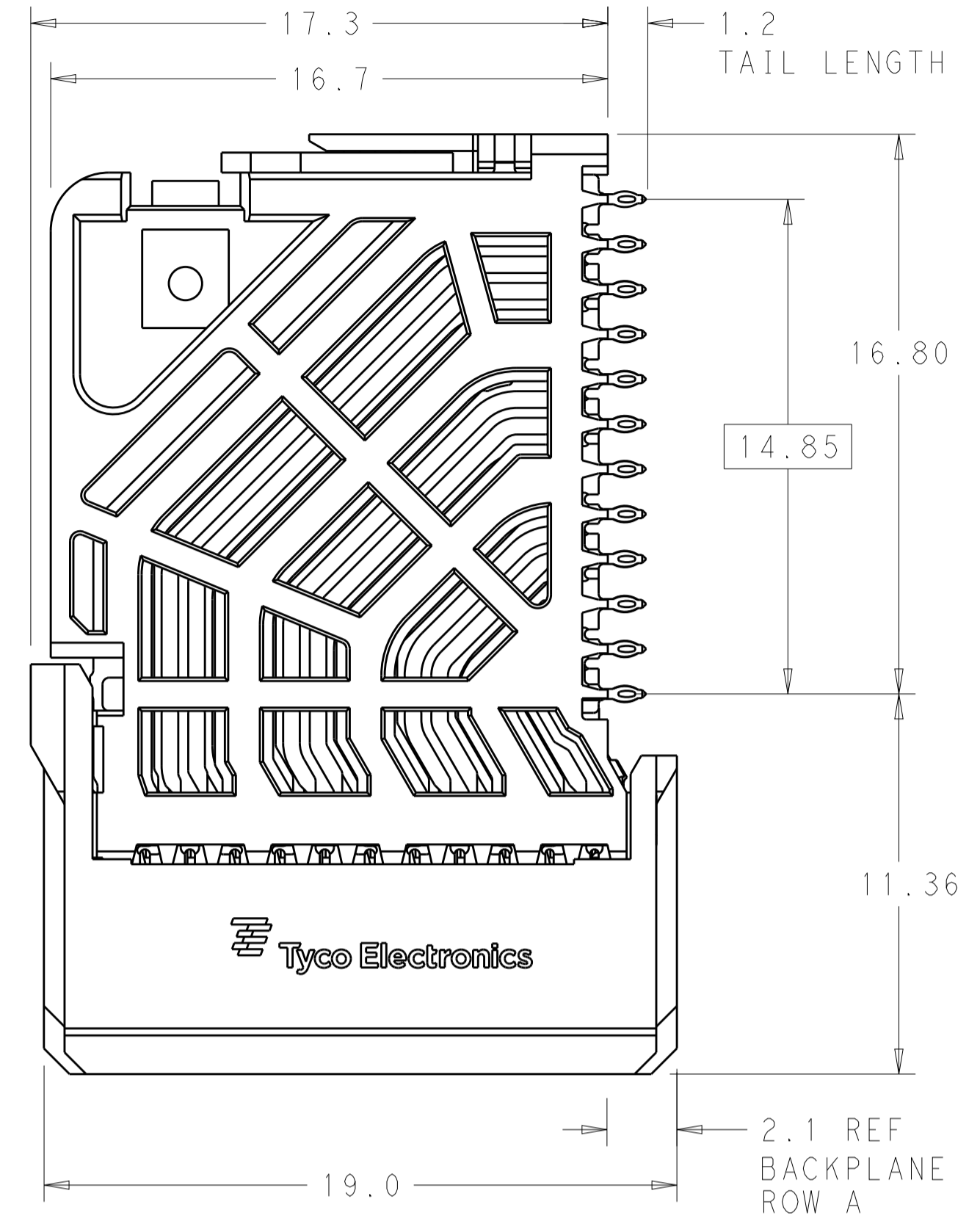
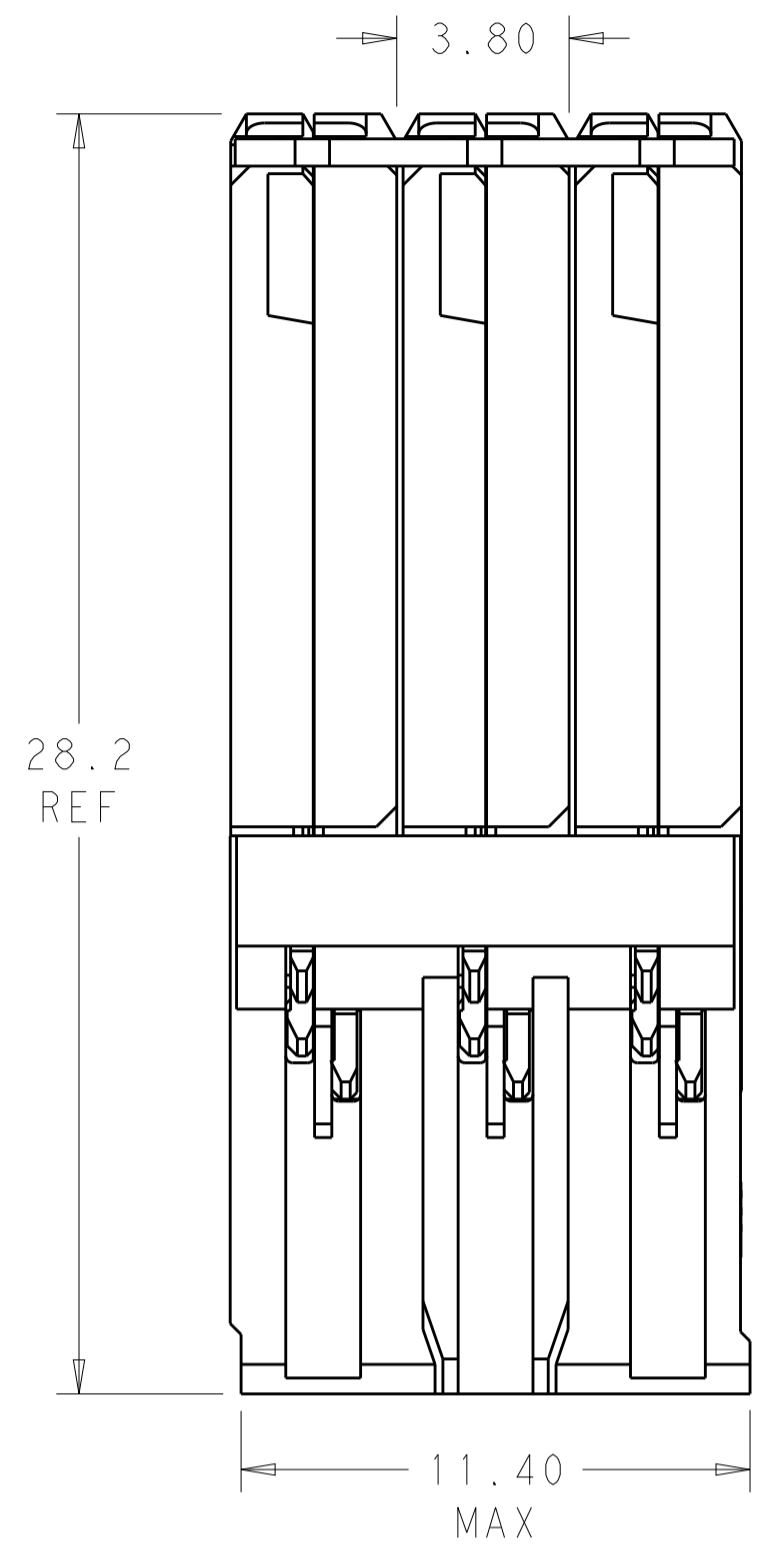
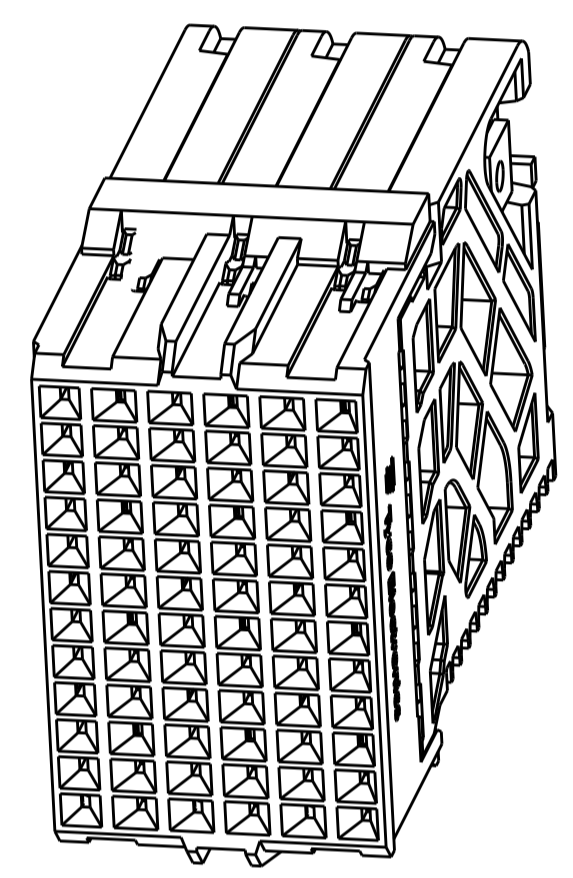


| REVISIONS | | | | |
|-----------|------|---------------------------|-----------|----------|
| P. | LTN. | DESCRIPTION | DATE | OWN APVD |
| C1 | | REVISED PER ECO-14-018036 | 18FEB2015 | AP DD |



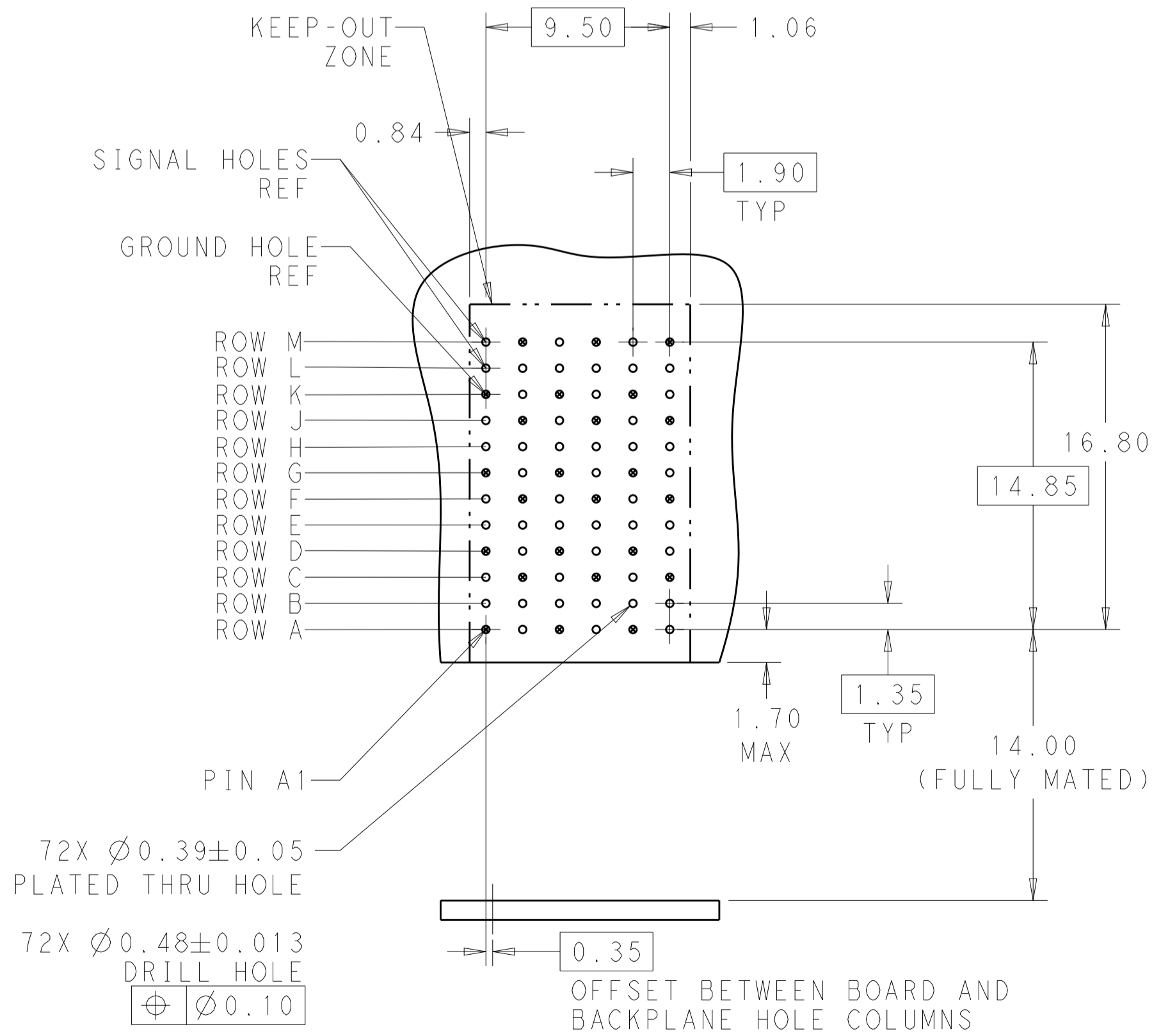
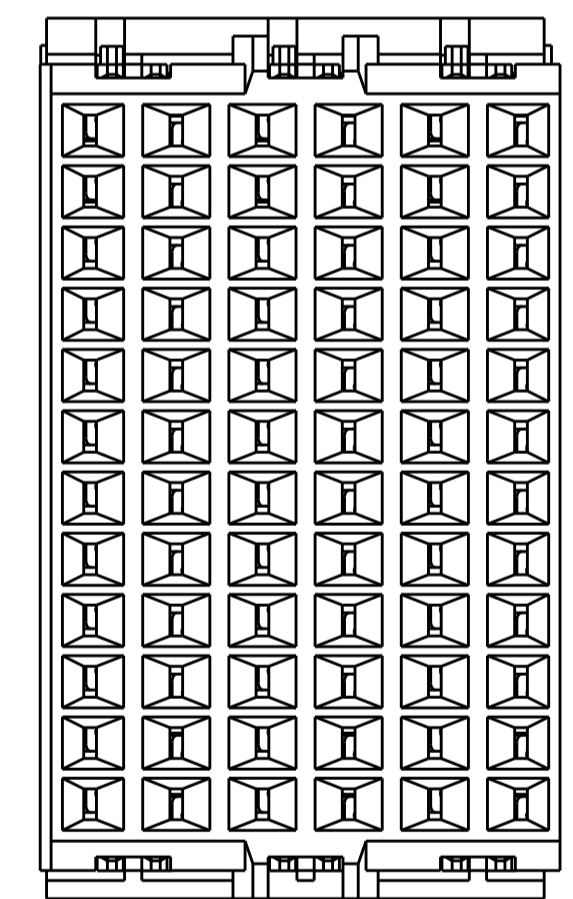
⚠ MATERIAL:
 HOUSING: LCP, GLASS FILLED, UL94V-0.
 TERMINALS: HIGH PERFORMANCE COPPER ALLOY.

⚠ FINISH:
 30μ" SELECTIVE GOLD IN CONTACT AREA. SELECTIVE TIN ON PCB TAILS, NICKEL OVERALL.



SCALE 4:1

REFER TO WWW.TE.COM FOR PRODUCT AVAILABILITY



RECOMMENDED PCB LAYOUT
 MIN BOARD THICKNESS 1.0

| | | |
|--------------|--------|-------------|
| NONE | ⚠ | 2132739-1 |
| KEY POSITION | FINISH | PART NUMBER |

| | | | | |
|---|--|---------------------------------|------------------|---|
| THIS DRAWING IS A CONTROLLED DOCUMENT. | | OWN: B. CARBO 01MAR2011 | | NAME: IMPACT, 4 PAIR, DAUGHTERCARD PRODUCT SPEC: 6 COLUMN, UNGUIDED, SIGNAL APPLICATION SPEC: MODULE, 0.39 EYELET |
| DIMENSIONS: mm | | CHK: D. DIXON 01MAR2011 | | |
| TOLERANCES UNLESS OTHERWISE SPECIFIED: 0 PLC ± 1 PLC ±0.25 2 PLC ±0.13 3 PLC ± 4 PLC ± ANGLES ± | | APVD: D. DIXON 01MAR2011 | | |
| MATERIAL: SEE TABLE | | RESTRICTED TO: A100779C=2132739 | | |
| MATERIAL: SEE TABLE | | WEIGHT: - | CUSTOMER DRAWING | SCALE: 6:1 SHEET 1 OF 1 REV: C1 |