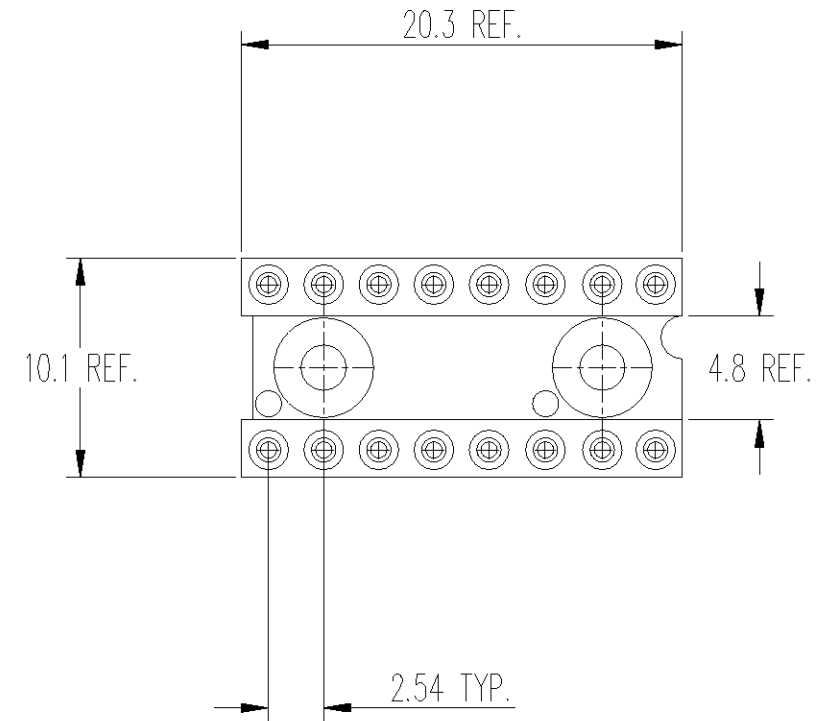
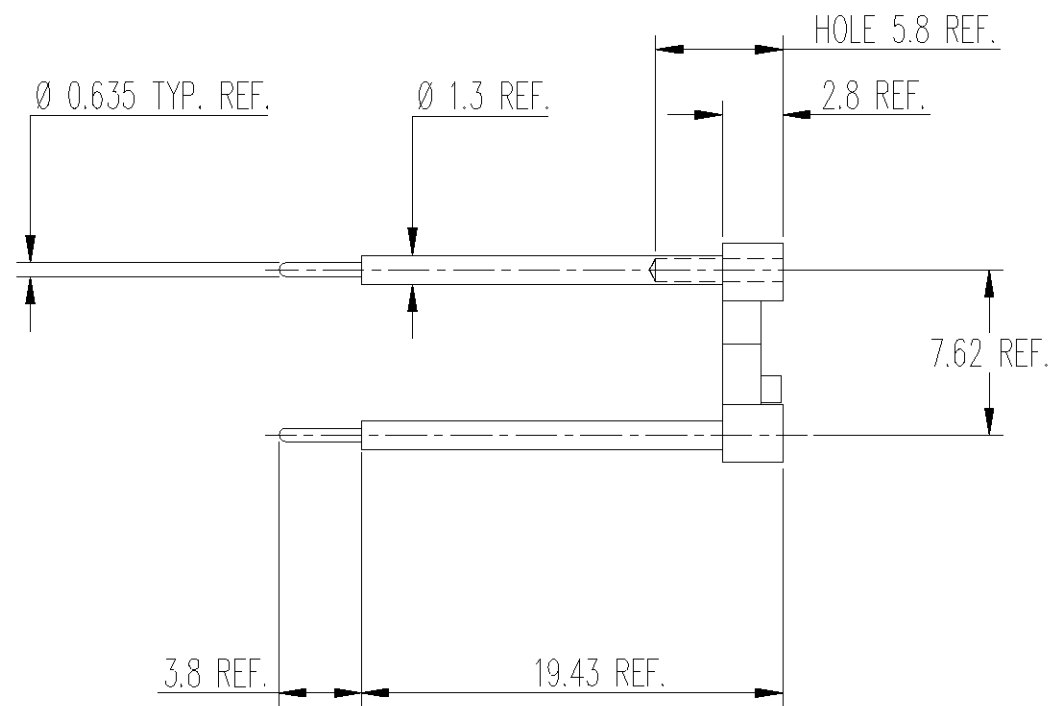


DRAWING NO
C-799288



NOTE

1. MATERIAL
 - INSULATOR : GLASSFILLED THERMOPLASTIC POLYESTER
 - SLEEVE : BRASS
 - CLIP : STAMPED BERYLLIUM COPPER
2. PLATING
 - SOLDER TAIL PLATING : 5µm Sn/Pb OVER 2-3µm Ni
 - CLIP PLATING : 3µm Sn/Pb OVER 2-3µm Ni
3. INNER SPRING CONTACT ACCEPT Ø 0.40 TO 0.56 OR RECTANGULAR PIN 0.25 x 0.45
4. MECHANICAL DATA WITH A Ø 0.43 TEST PIN :
 - INSERTION FORCE : 3.1N MAX.
 - EXTRACTION FORCE : 0.5N MIN.
 - MECHANICAL LIFE : 100 CYCLES MIN.

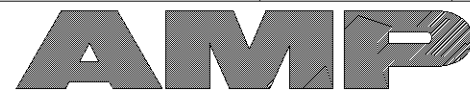
799288-1	COMPLETE ASSY PIN/INSULATOR
PART NO	DESCRIPTION

DIMENSIONS	mm							
SURFACE TEXTURE	N7 (✓)							
CONCENTRICITY	0.15							
PRODUCT SPEC.		P	REV	ECN	DRWN	DATE	APVD	

DRAWN	S.CHANDEVAVULT	30 SEP 98
CHECKED	A. BOLIS	30 SEP 98
APPROVED	P.-A. MEIER	30 SEP 98
CUSTOMER DRAWING		
FOR REFERENCE ONLY		

THIS INFORMATION IS CONFIDENTIAL AND IS DISCLOSED TO YOU ON CONDITION THAT NO FUTHER DISCLOSURE IS MADE BY YOU TO OTHER THAN AMP PERSONNEL WITHOUT WRITTEN AUTHORIZATION FROM DSM SWITZERLAND.	
NAME	
CLOSED FRAME .300" ELEVATED PIN DIP IC SOCKET - 16 POS.	

WAS 98-63038-001



DSM DECOLLETAGE SA SAINT-MAURICE
CH 1890 SAINT-MAURICE (VS)

LOC	SCALE	SIZE	DRAWING NO	SHEET	REVISION
EK	2/1	A4	C-799288	1 of 1	0