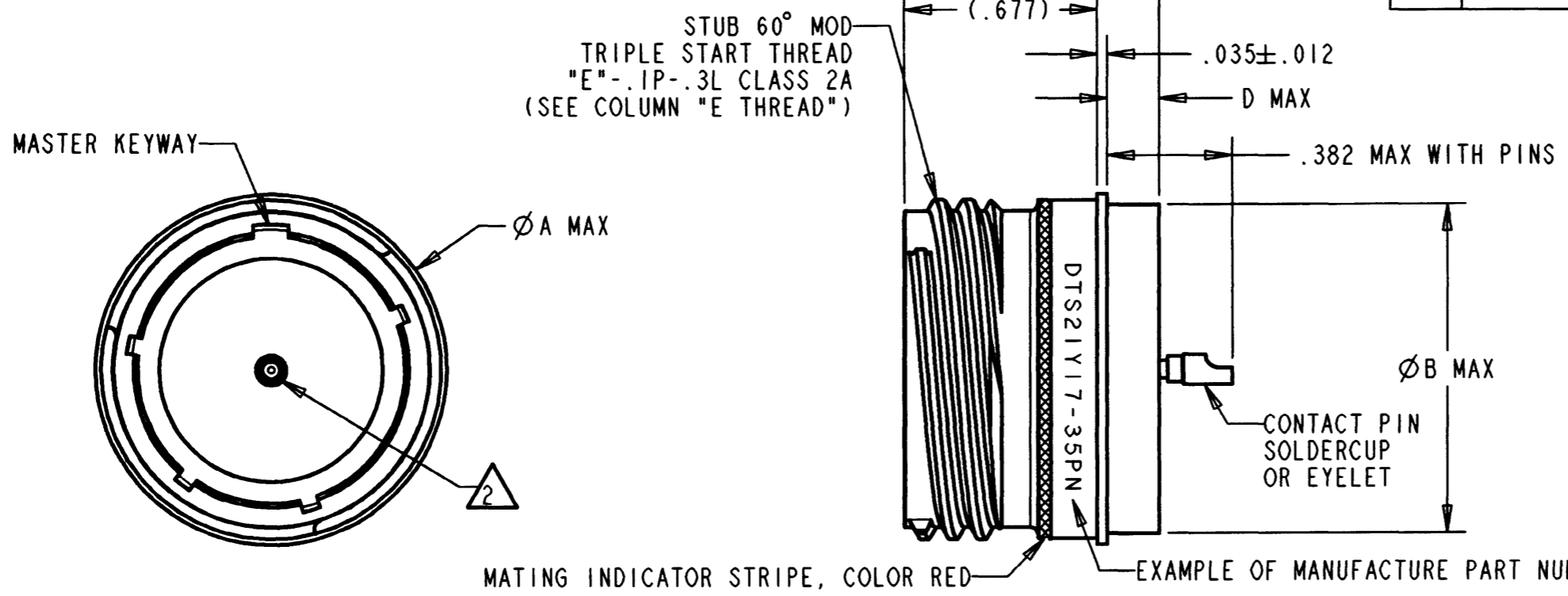


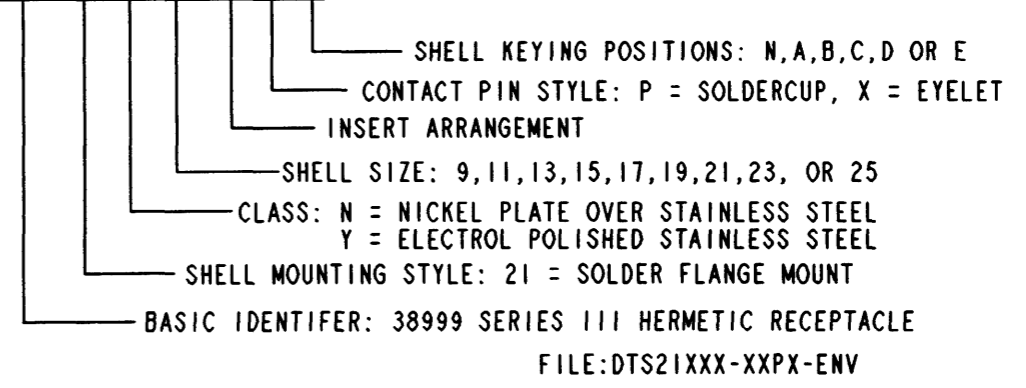
N/C DTS21XXX-XXPX

REVISIONS			
REV	DESCRIPTIONS	DATE	APPROVED
N/C	NEW RELEASE PER E.O. HI661	10/21/96	<i>S. Lui</i>



SHELL SIZE	A	B	C	D	E THREAD
9	.764	.673	.937	.201	.6250
11	.858	.783	.937	.201	.7500
13	.980	.909	.937	.201	.8750
15	1.106	1.031	.937	.201	1.0000
17	1.232	1.157	.937	.201	1.1875
19	1.323	1.252	.937	.201	1.2500
21	1.449	1.378	.937	.201	1.3750
23	1.575	1.504	.968	.232	1.5000
25	1.701	1.626	.968	.232	1.6250

9. PART NUMBER BREAKDOWN: DTS 21 Y 17-35 P N



- DIMENSIONS ARE IN INCHES UNLESS OTHERWISE NOTED.
- INSERT ARRANGEMENT CONFORMS TO MIL-STD-1560.
- THE INSERT ARRANGEMENT DOSE NOT ROTATE WITH MASTER KEYWAY.
- FINISH: SHELL - ELECTRO-POLISH  
PIN CONTACTS - GOLD OVER NICKEL
- MATERIAL: SHELL - STAINLESS STEEL  
PIN CONTACTS - HIGH NICKEL IRON ALLOY OR EQUIVALENT  
GLASS - COMPRESSION GLASS  
PIN INSERT & INTERNAL SEAL - FLUOROSILICONE ELASTOMER
- MATES WITH DTS26\*\*\*-\*\*\*S\* PLUG CONNECTOR.
- CONNECTOR MEETS REQUIREMENTS OF MIL-C-38999 SERIES III.
- CONSULT SALE STAFF FOR ARRANGEMENT AVAILABILITY.

NOTE:

	SIGNATURE & DATE
DR	S. LUI 10/21/96
CHK	<i>S. Lui</i> 10/21/96
PE	<i>S. Lui</i> 10/21/96
APPD	<i>S. Lui</i> 10/21/96
SCALE:	NONE

CONNECTOR, RECEPTACLE  
HERMETIC  
PIN UNIT  
SOLDER FLANGE MOUNT  
THREAD COUPLING  
MIL-C-38999 SERIES III  
ENVELOPE

CP	MATL CODE 72
<b>DEUTSCH</b> HERMETIC PRODUCTS OPERATION 680 Airport Road Oceanside, CA 92054	
<b>B</b>	DTS21XXX-XXPX
DWG SIZE	CAGE CODE 11139 SHEET 1 OF 1