

Flat suction pad (round)

SUF 35 NBR-55 G1/8-AG

Part no...:10.01.01.14089

<https://www.schmalz.com/10.01.01.14089>

Home > Vacuum Technology for Automation > Vacuum Components > Vacuum Suction Cups > Flat Suction Cups (Round) > Flat Suction Cups SUF > SUF 35 NBR-55 G1/8-AG

Flat suction cup (round) for process safe handling of smooth or slightly rough surfaces



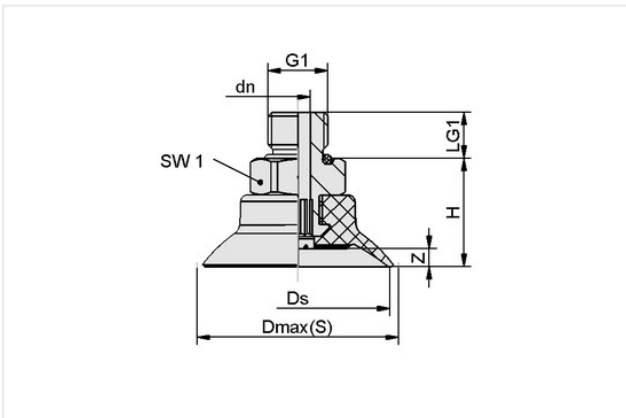
Size: 35

Suction cup material: Nitrile rubber NBR

Material hardness [Shore A]: 55 Shore A

Vacuum connection: G1/8"-M

Design Data



Attribute	Value
Dmax(S)	39.20 mm
Ds	35 mm
dn	4.10 mm
G1	G1/8"-M
H	22.10 mm
LG1	7.50 mm
SW1	17 mm
Z (Stroke)	3.50 mm

Technical Data

Attribute	Value
Suction force (-600mbar)	46 N
Pull-off force	46 N
Volume	2.40 cm ³
Curve radius (min) (convex)	40 mm
Hose diameter (empf.) d	4 mm
Size	35
Suction cup material	Nitrile rubber NBR
Material hardness [Shore A]	55 Shore A

Contact Schmalz

Schmalz Inc. | 5850 Oak Forest Drive, Raleigh, NC 27616, United States | +1 (919) 713-0880 | schmalz.us@schmalz.com

Flat suction pad (round)

SUF 35 NBR-55 G1/8-AG

Part no...:10.01.01.14089

<https://www.schmalz.com/10.01.01.14089>

Weight	14.10 g
Product family	SUF
Number of folds	0

Note: Suction force: The specified suction forces are theoretical values at a vacuum of -0.6 bar and with a dry, smooth and flat workpiece surface - they do not include a safety factor
Hose diameter: The recommended hose diameter refers to a hose length of approx. 2 m

Spare parts



SUF 35 NBR-55 SC050

Part no...:10.01.01.13950

Size: 35

Suction cup material: Nitrile rubber NBR

Material hardness [Shore A]: 55 Shore A



SC 050 G1/8-AG

Part no...:10.01.06.04250

Connection geometry: 050

Vacuum connection: G1/8"-M

Fitting length: 7.2 mm

Nominal diameter dn: 4.1 mm