

SCNRF - 6A AN - SAFS

SUNTSU

CONNECTOR

RF

MAXIMUM FREQUENCY
6 GHz

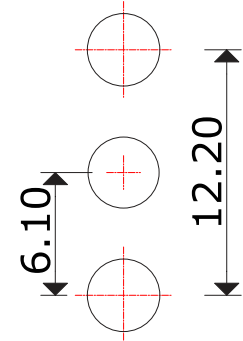
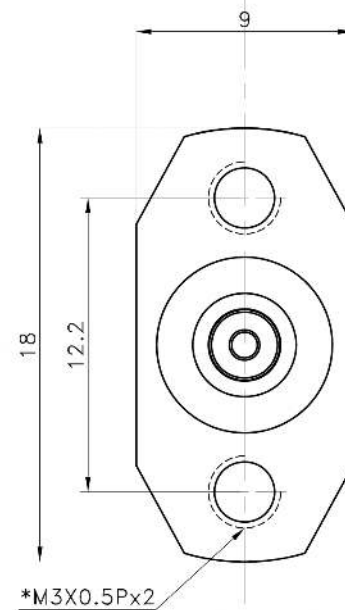
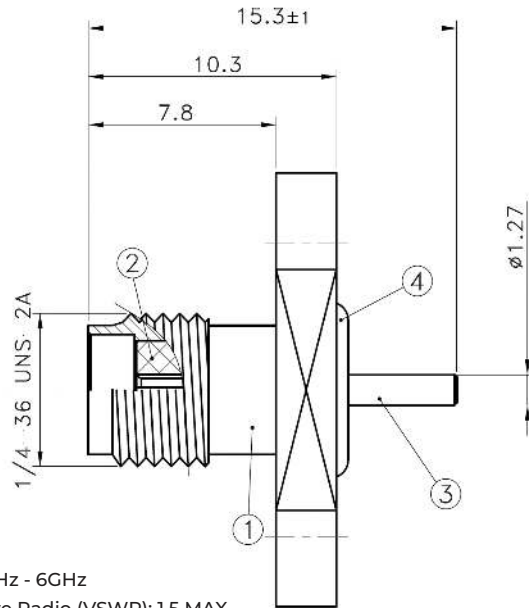
IMPEDANCE
50Ω

MOUNT TYPE
Panel

CONNECTOR TYPE
SMA

GENDER
Female

ORIENTATION
Straight



**Recommended
Mounting
Layout**

Impedance: 50Ω
 Frequency Range: 0GHz - 6GHz
 Voltage Standing Wave Ratio (VSWR): 1.5 MAX
 Working Voltage: 170 Vrms MAX
 Dielectric Withstanding Voltage: 500 Vrms MAX
 Operating Temperature: -55°C to 85°C
 Storage Temperature: -60°C to 165°C
 Center Contact Resistance: 3 mΩ MAX
 Outer Contact Resistance: 2 mΩ MAX
 Insulation Resistance: 2000 mΩ MIN



**SMA PANEL MOUNT
FEMALE STRAIGHT CONNECTOR**

Document History				Part No.	REV.	Drawn		Page
Edits Made	Date	Edited By	Approved By	SCNRF-6AAN-SAFS	A	B. Gibbons	02/02/2021	1 / 1
Initial Release	02/02/2021	B. Gibbons	KH Mun		SCALE	Checked		
				Tolerance	None	KH Mun	02/02/2021	
					UNIT	Approved		
					mm	KH Mun	02/02/2021	