

High Frequency Ceramic Solutions

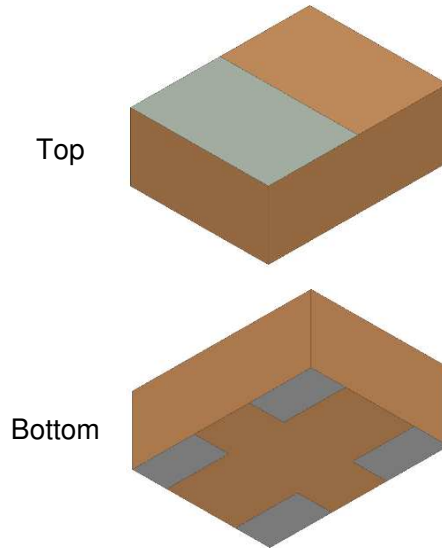
2.4GHz EIA 0202 Micro Balun 1:2 impedance for BLE/WiFi/LTE/Cellular

P/N 2450BL05A0100

Detail Specification: 11/3/2021

Page 1 of 4

General Specifications	
Part Number	2450BL05A0100
Frequency (MHz)	2300 - 2690
Unbalanced Impedance (Ω)	50
Balanced Impedance (Ω)	100
Insertion Loss (dB)	0.55 max.
Return Loss (dB)	9.5 min.
Phase Difference (deg.)	180 \pm 10
Amplitude Difference (dB)	2.5 max.
Power Capacity (W)	2 max. (CW)
Operating Temperature	-40 to +85°C
Reel Quantity (pcs./reel)	10,000
Recommended Solder Paste	SAC 305 Type
Recommended Storage Conditions and Period for unused Product on T&R*	+5 to +35°C Humidity 45~75% RH 18 months in vacuum sealed bag 1 week after opening



*This component has silver leads. Please keep unused parts in vacuum sealed bag. See <https://www.johansontechnology.com/silverleads-profile>

Part Number Explanation			
P/N Suffix	Packing Style	Bulk (loose pcs.)	Suffix = S E.g. 2450BL05A0100S
		T & R	Suffix = T E.g. 2450BL05A0100T
	Termination Style	AgPt	Suffix = None E.g. 2450BL05A0100(T or S)
	Evaluation Board	2450BL05A0100-EB1SMA (3 female SMA connectors)	

Mechanical Dimensions		
	In	mm
L	0.026 \pm 0.002	0.65 \pm 0.05
W	0.020 \pm 0.002	0.50 \pm 0.05
T	0.018 max.	0.45 max.
a	0.009 +0.004/-0.002	0.225 +0.1/-0.05
b	0.008 +0.004/-0.002	0.20 +0.1/-0.05
c	0.006 +0.004/-0.002	0.15 +0.1/-0.05
d	0.008 +0.004/-0.002	0.20 +0.1/-0.05

Terminal Configuration	
1	GND
2	Unbalanced Port
3	Balanced Port
4	Balanced Port

Johanson Technology, Inc. reserves the right to make design changes without notice.
All sales are subject to Johanson Technology, Inc. terms and conditions.



<https://www.johansontechnology.com>

4001 Calle Tecate • Camarillo, CA 93012, USA • TEL +1.805.389.1166

Ver 1.1

2021 Johanson Technology, Inc. All Rights Reserved

High Frequency Ceramic Solutions

2.4GHz EIA 0202 Micro Balun 1:2 impedance for BLE/WiFi/LTE/Cellular

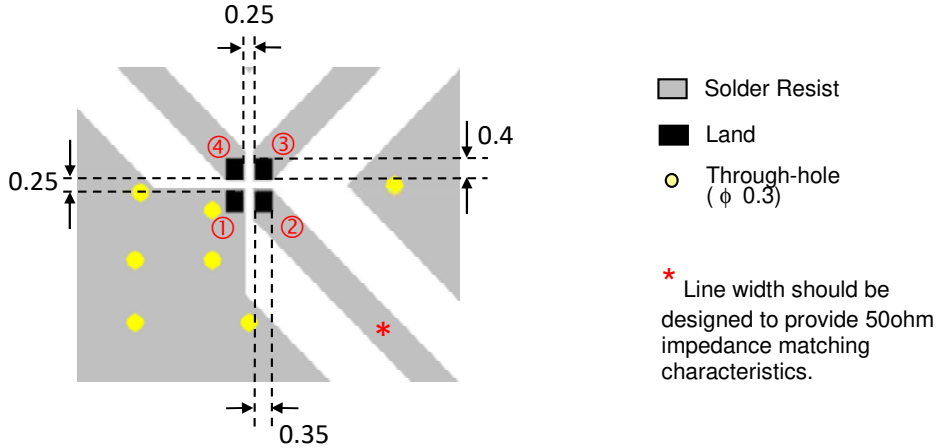
P/N 2450BL05A0100

Detail Specification: 11/3/2021

Page 2 of 4

Mounting Considerations

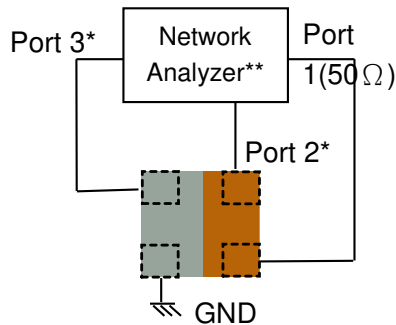
This micro balun fits well with differential feedlines that have a very small pitch.



Need our help laying this out for you? Need the layout file?

Send us a message at: <https://www.johansontechnology.com/ask-a-question>

Measuring Diagram



Port 1: Unbalanced Port
Ports 2 and 3: Balanced Port

$IL = S_{ds21}$

$RL = S_{ss11}$

$Amp_balance = dB(S(2,1)/S(3,1))$

$Phase_balance = Phase(S(2,1)/S(3,1))$

* Impedance for ports 2 and 3 = Balanced Impedance/2

** E5071B from Agilent

Johanson Technology, Inc. reserves the right to make design changes without notice.

All sales are subject to Johanson Technology, Inc. terms and conditions.



<https://www.johansontechnology.com>

4001 Calle Tecate • Camarillo, CA 93012, USA • TEL +1.805.389.1166

Ver 1.1

2021 Johanson Technology, Inc. All Rights Reserved

High Frequency Ceramic Solutions

2.4GHz EIA 0202 Micro Balun 1:2 impedance for BLE/WiFi/LTE/Cellular

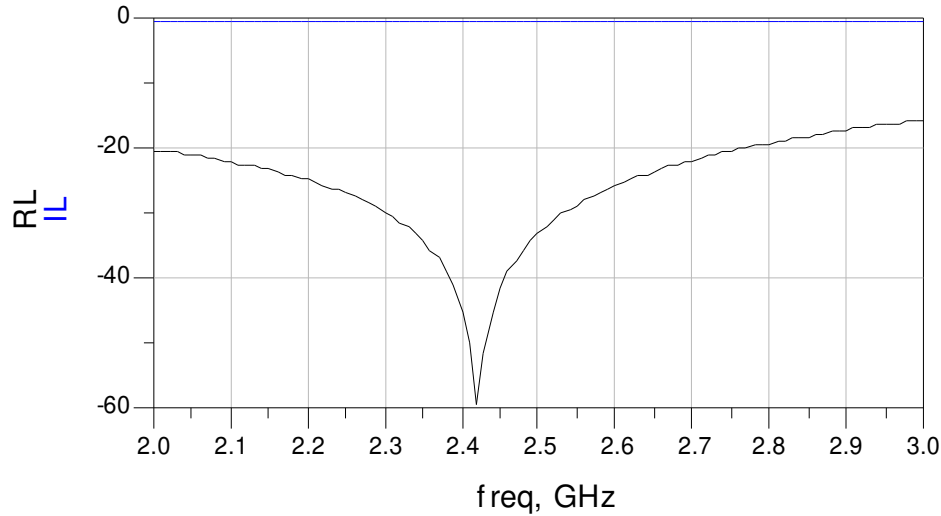
P/N 2450BL05A0100

Detail Specification: 11/3/2021

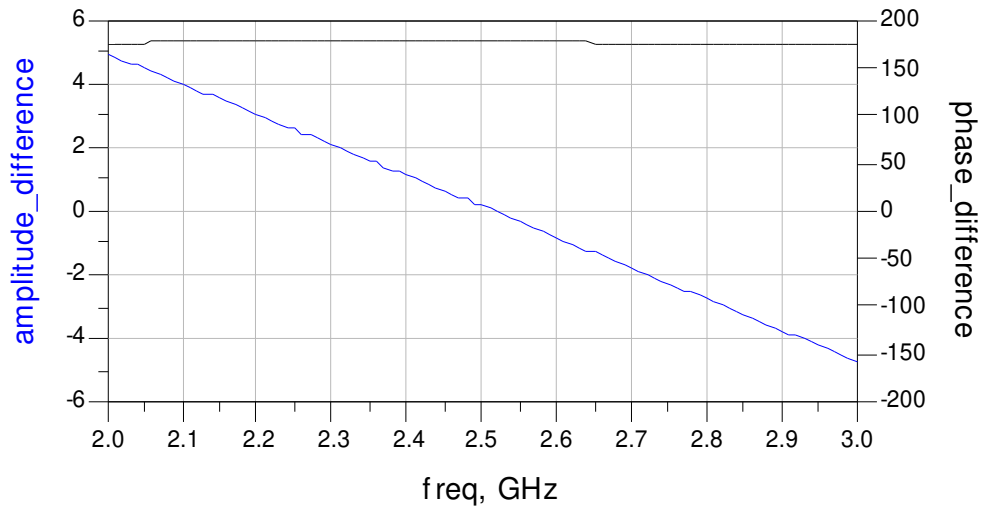
Page 3 of 4

Typical Electrical Characteristics (T=25°C)

Insertion and Return Loss



Amplitude and Phase Balance



Johanson Technology, Inc. reserves the right to make design changes without notice.

All sales are subject to Johanson Technology, Inc. terms and conditions.



<https://www.johansontechnology.com>

4001 Calle Tecate • Camarillo, CA 93012, USA • TEL +1.805.389.1166

Ver 1.1

2021 Johanson Technology, Inc. All Rights Reserved

High Frequency Ceramic Solutions

2.4GHz EIA 0202 Micro Balun 1:2 impedance for BLE/WiFi/LTE/Cellular

P/N 2450BL05A0100

Detail Specification: 11/3/2021

Page 4 of 4

More RF Balun info at:

<https://www.johansontechnology.com/baluns>

Packaging information

<https://www.johansontechnology.com/tape-reel-packaging>

Soldering Information

<https://www.johansontechnology.com/ipcsoldering-profile>

Silver Leads

<https://www.johansontechnology.com/silverleads-profile>

MSL Info

<https://www.johansontechnology.com/msl-rating>

Recommended Storage Condition and Max Shelf Life

<https://www.johansontechnology.com/recommended-storage-conditions>

RoHS Compliance

<https://www.johansontechnology.com/rohs-compliance>

Layout review services

<https://www.johansontechnology.com/ask-a-question>

Antenna layout review, tuning, and characterization services

<https://www.johansontechnology.com/ipc-antenna-services>

Johanson Technology, Inc. reserves the right to make design changes without notice.

All sales are subject to Johanson Technology, Inc. terms and conditions.



<https://www.johansontechnology.com>

4001 Calle Tecate • Camarillo, CA 93012, USA • TEL +1.805.389.1166

Ver 1.1

2021 Johanson Technology, Inc. All Rights Reserved