

# SPECIFICATIONS

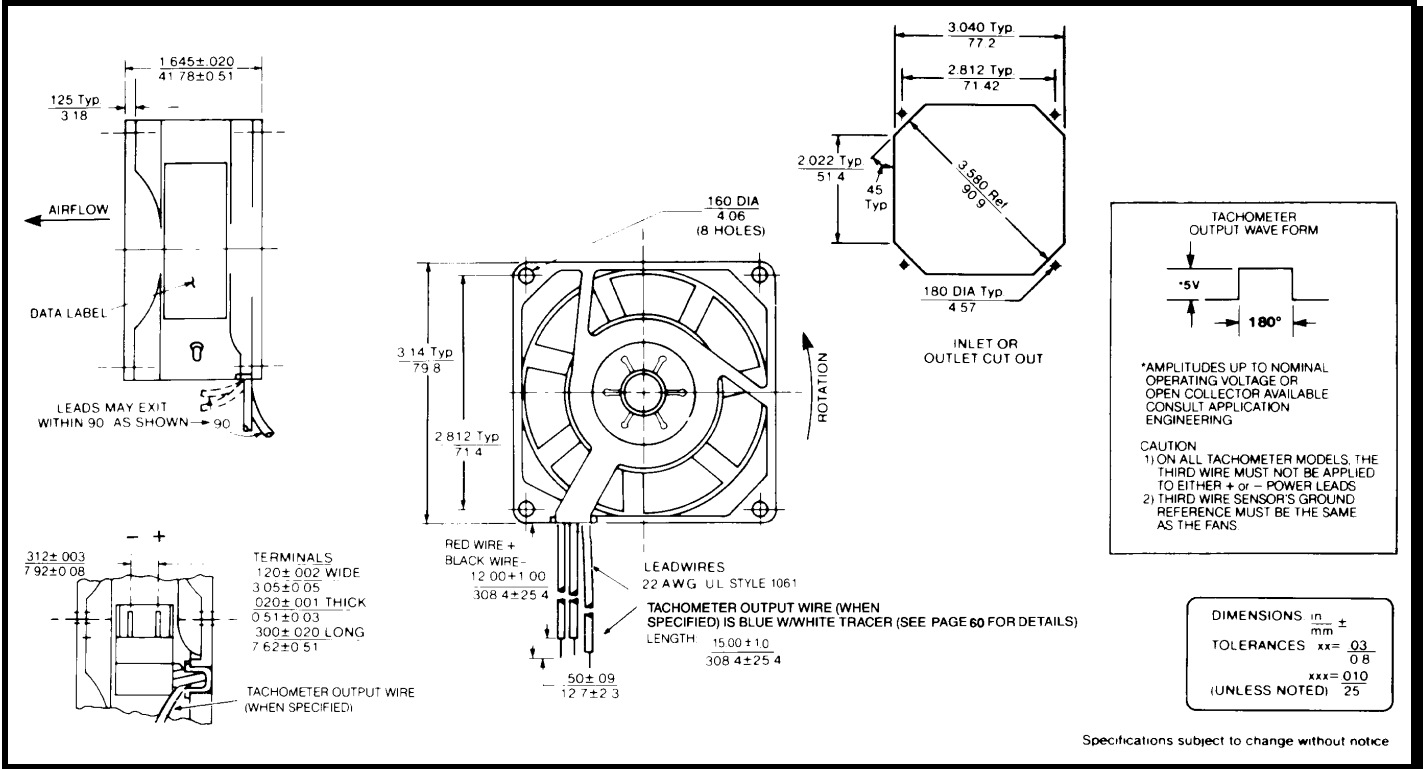
(RoHS Compliant)



**Model Number:** SDD12B1-E3  
**Part Number:** 17001216A

**Version:** 00  
**Jun 13, 2018**

## Mechanical Drawing:



### Motor:

|                         |              |
|-------------------------|--------------|
| Nominal Voltage         | = 12 vdc     |
| Operating Voltage Range | = 8 – 16 vdc |
| Nominal Running Current | = 0.250 amps |
| Locked Rotor Current    | = 1.20 amps  |
| Running Power           | = 3.0 watts  |
| Average Speed           | = 3500       |
| Bearings                | = Ball       |
| Air Flow                | = 35 CFM     |
| Acoustic                | = 47.6 dBA   |

### Construction:

Venturi: Single Piece Die-Cast Zinc Alloy, Black  
 Propeller: Plastic, Black, UL 94V-0

### Life Expectancy:

This fan is designed for continuous duty life of 52,000 hours at 70°C.

### Additional Features:

- Brushless DC Motor
- Polarity Protected
- Electronic Locked Rotor Protection
- Automatic Restart Capability
- Operating Temperature: -10°C to 70°C
- Storage Temperature: -40°C to 85°C
- Environmental Protection: Type 3(IP68)

### Termination:

- 12" Lead wires, AWG 22, UL 1061
- Red = Power (+)
- Black = Return (-)

### Agency Approvals:

UL, CUL, CE

**PQ Curve:**

