

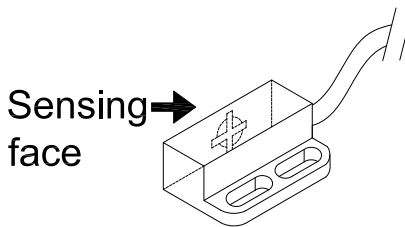
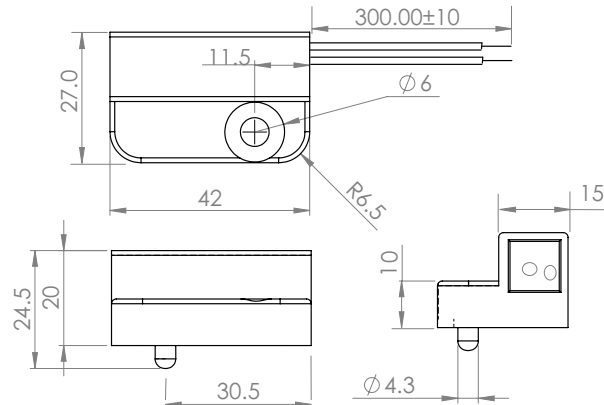
## PICTURE

✓ RoHS Compliant



**SENSING FACE**

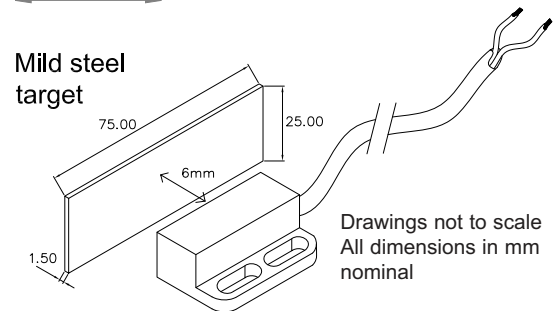
## DIMENSIONS



Sensing face

Approximate sensing ranges  
 75x25x1.5mm Ground flat steel  
 12x20x30mm Cast iron bar  
 0.5x20x70mm Tool steel  
 10x25x50mm Chrome vanadium  
 D6x50mm N35 Neodymium magnet

6-9mm  
 9-10mm  
 7-10mm  
 9-10mm  
 30-35mm



Mild steel target

Drawings not to scale  
 All dimensions in mm nominal

Image indicative of range

## SPECIFICATION

|                       |  |  |
|-----------------------|--|--|
| Contact Form / Style  | Normally Open, closes in presence of ferrous metal |  |
| Activation distance   | mm   | 6 (may vary depending on iron content) |
| Switching Voltage     | Max Volts AC/DC                                    | 140 / 200                              |
| Switching Current     | Max Amps   | 0.5                                    |
| Switching Power       | Max Watts  | 10                                     |
| Carry Current         | Max Amps   | 2.75                                   |
| Breakdown Voltage     | Min Volts DC                                       | 225                                    |
| Contact Resistance    | Max mOhms  | 100                                    |
| Operating Frequency   | Max Hz   | 100                                    |
| Operating Temperature | Celsius  | - 40° to 85°                           |
| Case Material         | ABS Plastic  |  |
| Cable                 | 2 x 20 AWG 105°C Black                             |  |

### Applications Include

- Gate closed detection.
- Robotics sensing.
- Automated production lines.
- Safety guards.

### Options

- Top or side sensing directions
- Base sensing option (non pin type)
- Custom cable types, cable lengths, connectors or crimp terminals available.
- If you do not see what you need, just ask, as there is a strong possibility we can do it !

### Did you know we also sell?



### Rev. No.

### Revision Note

### Date

### Signature

1

Datasheet

17-12-15

ML



ISO 9001:2008  
 Certificate No. FM21080

As part of the company policy of continued product improvement, specifications may change without notice. Our sales office will be pleased to help you with the latest information on this product range and the details of our full design and manufacturing service. All products are supplied to our standard conditions of sale unless otherwise agreed in writing.

Phone : +44 (0)1255 862236

www.comus-intl.com

Fax: +44 (0)1255 862014

©2016 Copyright Comus Europe Ltd, Unit 7, Rice Bridge Industrial Estate, Thorpe - Le - Soken, Essex, CO16 0HL, ENGLAND.  
 USA: Comus International:+1 973 777 6900, Belgium: Comus Belgium BVBA: +32 (0)12 390400