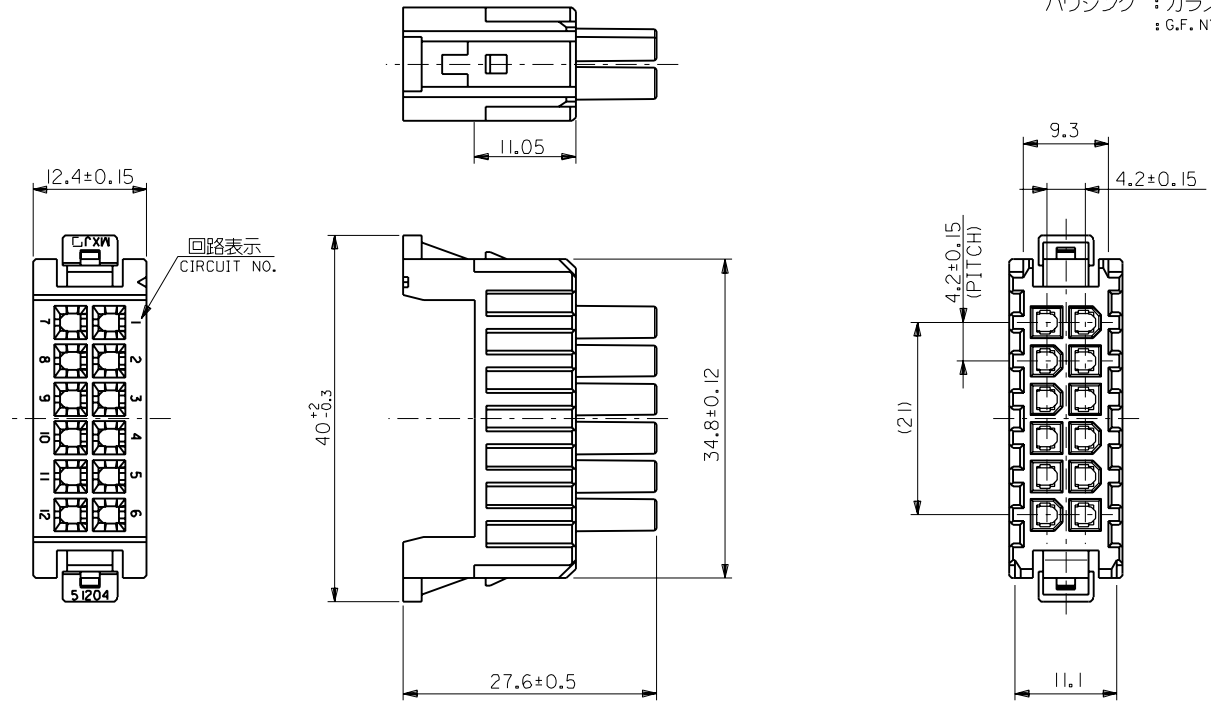


DWG. NO. SD-51204-002

注記
NOTES.

1. 適合ターミナル : 5556****
APPLICABLE TERMINAL: 5556****
2. 材質
MATERIAL
ハウジング : ガラス入りナイロン66 UL94V-0 色: 自然色
: G.F. NYLON UL94V-0 COLOR : NATURAL



DO NOT SCALE DRAWING

EC NO. DRWN: CHK: APPR:	EC NO. DRWN: CHK: APPR:	EC NO. DRWN: CHK: APPR:	REVISED '98/12/23	MATERIAL 材料 注記参照 SEE NOTES.	GENERAL TOLERANCES: (UNLESS SPECIFIED) 一般公差		SCALE 2-1	DESIGN UNITS <input checked="" type="checkbox"/> mm <input type="checkbox"/> INCH	THIRD ANGLE PROJECTION	DIMENSIONS: <input type="checkbox"/> mm <input type="checkbox"/> INCH <input checked="" type="checkbox"/> mm ONLY		SHT	REV
			EC NO. JD90898 DRWN: Y. TETSUKA CHK: SAKIYAMA/YO.ITO APPR: HIKESUGI		10 UNDER 未満	+0.2	DRAWN BY & DATE S. Adiyama 98/9/9	TITLE: POWER CONN. 12P SOCKET HOUSING		REVISION ON CAD ONLY			
A	O	REV	RELEASED '98/9/9	FINISH 仕上り	10 OVER 以上	+0.25	30 UNDER 未満	30 OVER 以上	+0.3	APPROVED BY & DATE Y. Oe	MATERIAL NO. SEE CHART		SHEET NO. 1 OF 1
			EC NO. JD90377 DRWN: S. AKIYAMA CHK: YO.ITO APPR: HIKESUGI		WIRE RANGE 適用線径範囲	ANGLE 角度	+3°	CAD FILE NAME 51204002.S01	DRAWING NO. SD-51204-002	SIZE B			
THIS DRAWING CONTAINS INFORMATION THAT IS PROPRIETARY TO MOLEX INCORPORATED AND SHOULD NOT BE USED WITHOUT WRITTEN PERMISSION.													