

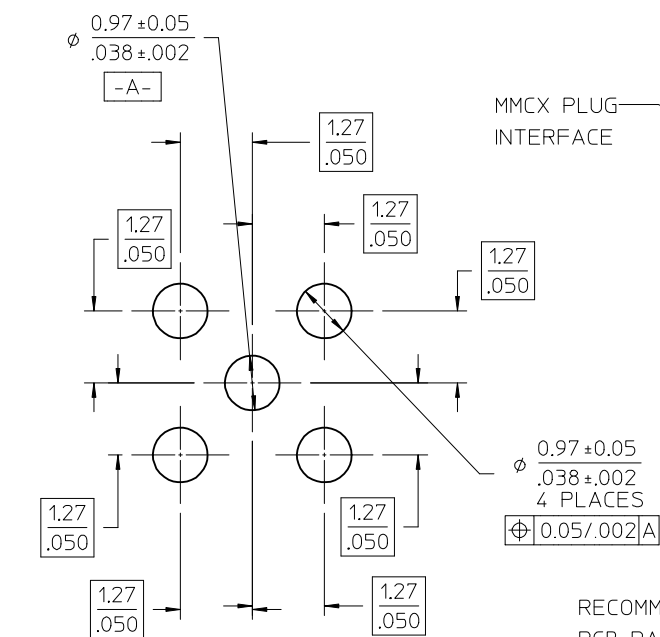
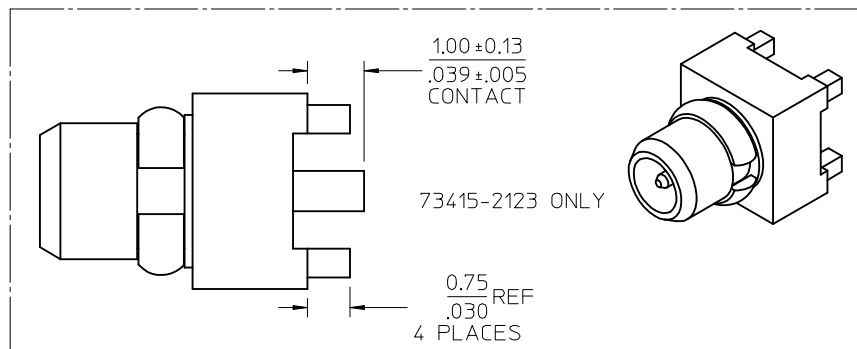
MATERIALS AND FINISHES

BODY BRASS
PLATED GOLD (SEE TABLE)

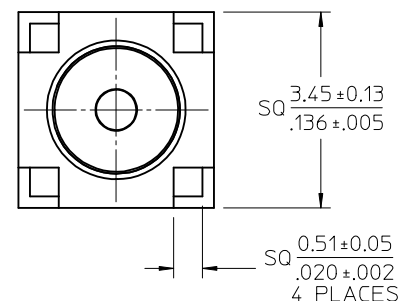
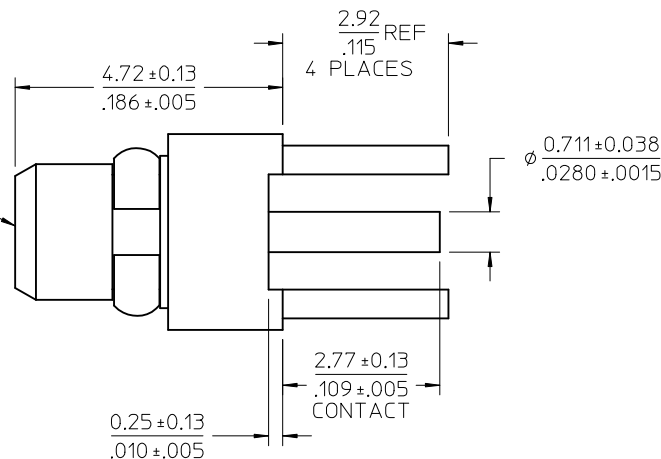
CENTER CONTACT BRASS
PLATED GOLD (SEE TABLE)

INSULATOR TEFLON

SNAP RING BERYLLIUM COPPER
PLATED GOLD (SEE TABLE)



RECOMMENDED
PCB PATTERN



PS-89675-1920	ELECTRO/MECH PERFORM
CECC 22-340	INTERFACE
SPECIFICATION	DESCRIPTION

73415-2123	COMMERCIAL	TRAY
73415-2122	COMMERCIAL	SINGLE BAG
73415-2121	COMMERCIAL	TRAY
73415-2120	MILITARY	TRAY
PART NO.	PLATING	PACKAGING

CHG: ADDED -2123; ADDED -2123 VIEW; EC NO: URF2014-0547 DRWN: JLEE02 CHKD: SSS APPR: WSP/INK 2014/03/31 2014/03/31 2014/04/08	QUALITY SYMBOLS ▽=0 ▽=0	GENERAL TOLERANCES (UNLESS SPECIFIED)	DIMENSION STYLE MM/IN	SCALE	DESIGN UNITS METRIC	THIRD ANGLE PROJECTION
		4 PLACES ± --- ± --- 3 PLACES ± --- ± --- 2 PLACES ± --- ± --- 1 PLACE ± --- ± --- ANGULAR ± 2°	DRAWN BY DATE TEF 2000/06/06 CHECKED BY DATE SSS 2000/06/06 APPROVED BY DATE GMH 2000/06/06	TITLE MMCX PLUG, STR VERT PCB, 50 OHMS EWR-3099, MMCX-P/PCB	MOLEX INCORPORATED	SHEET NO. 1 OF 1
DRAFT WHERE APPLICABLE MUST REMAIN WITHIN DIMENSIONS	MATERIAL NO. SEE TABLE	DOCUMENT NO. SD-73415-212	THIS DRAWING CONTAINS INFORMATION THAT IS PROPRIETARY TO MOLEX INCORPORATED AND SHOULD NOT BE USED WITHOUT WRITTEN PERMISSION			