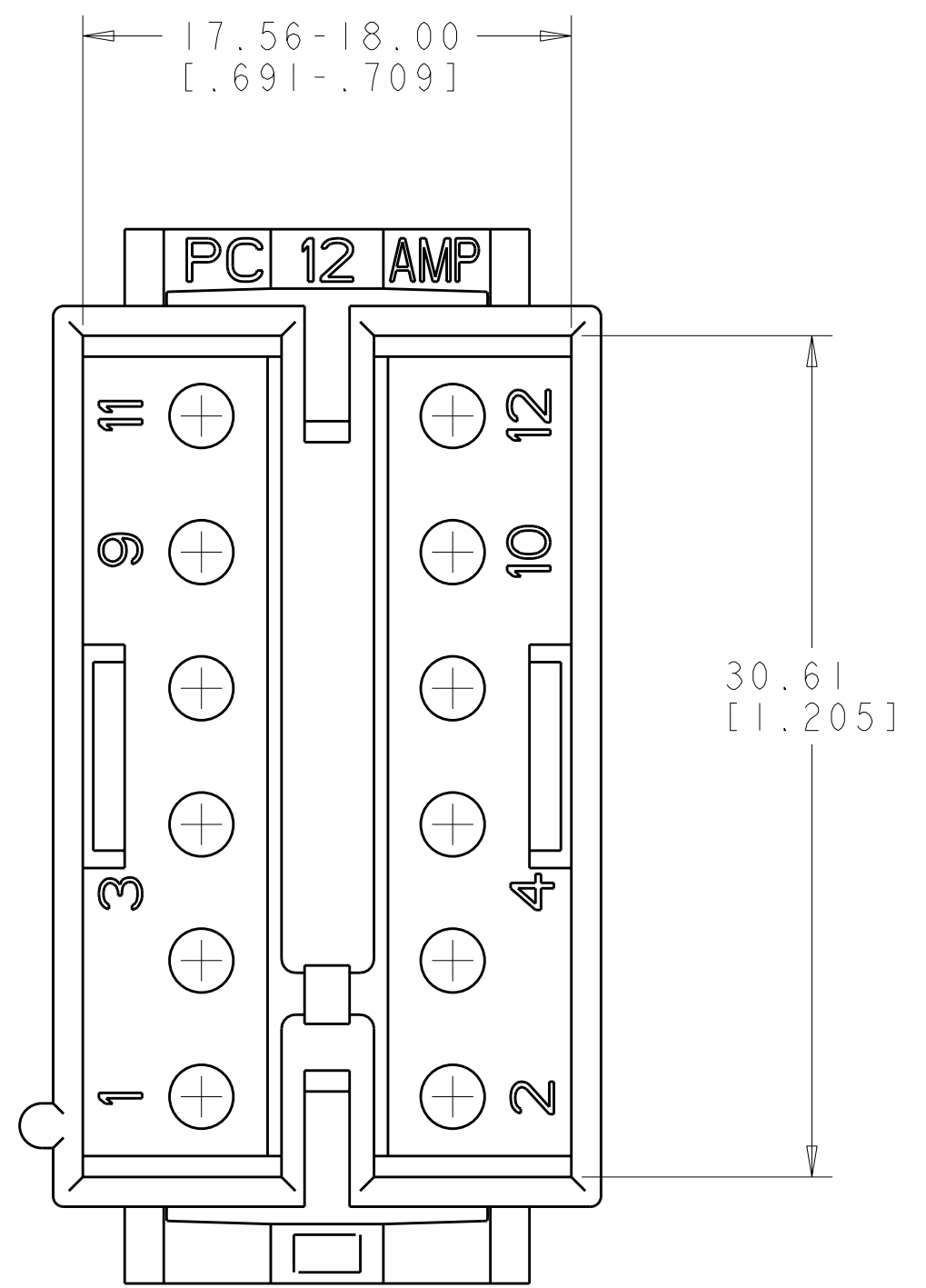
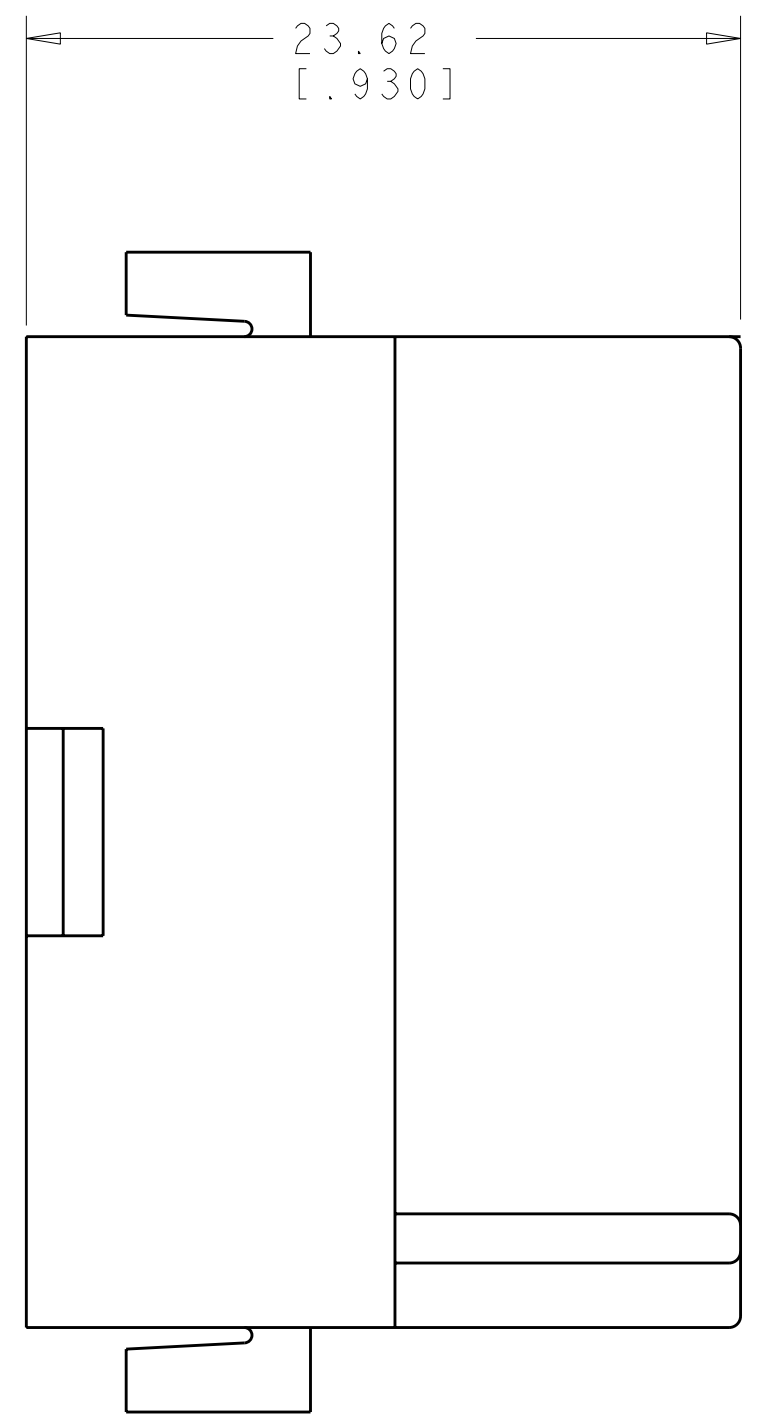
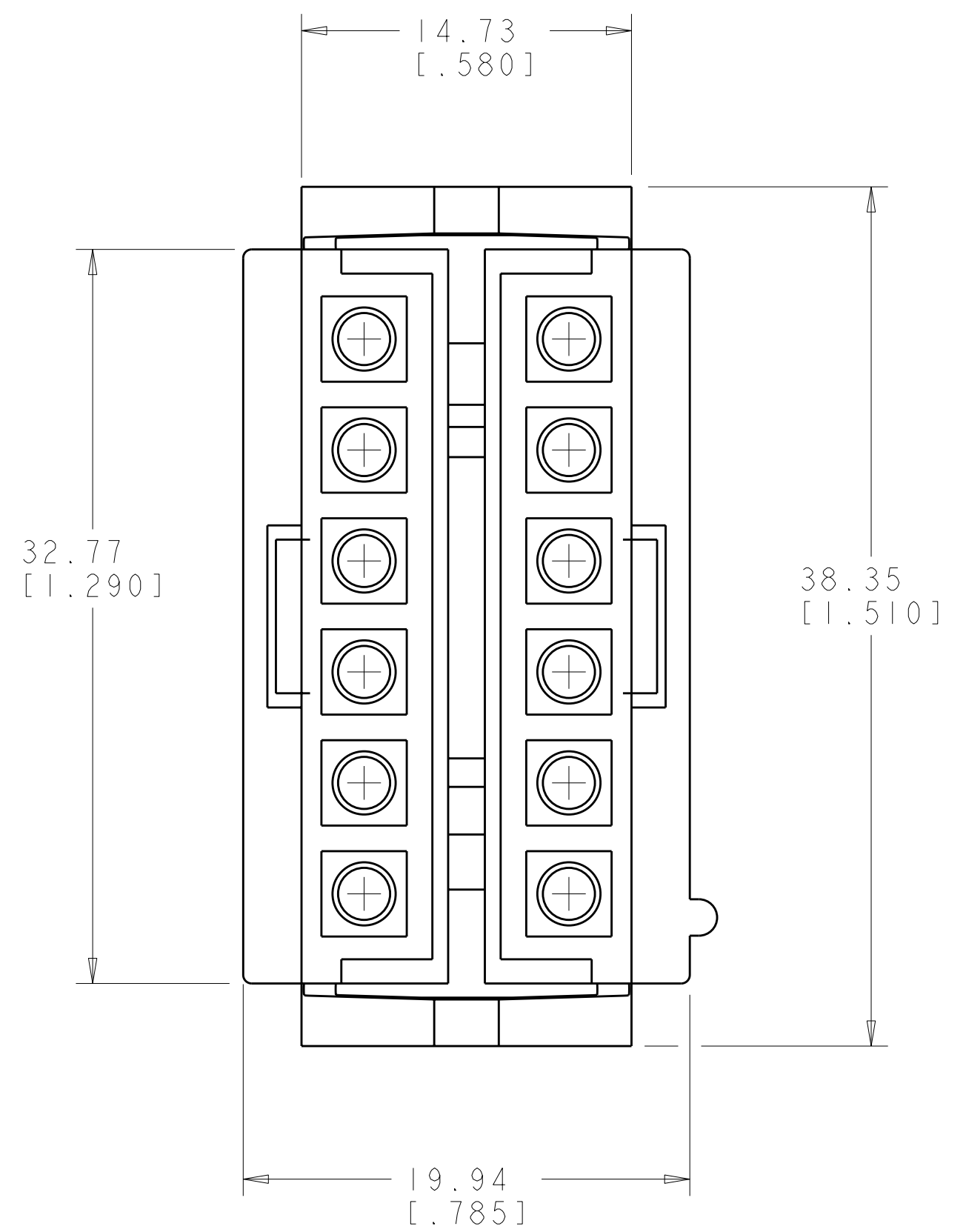
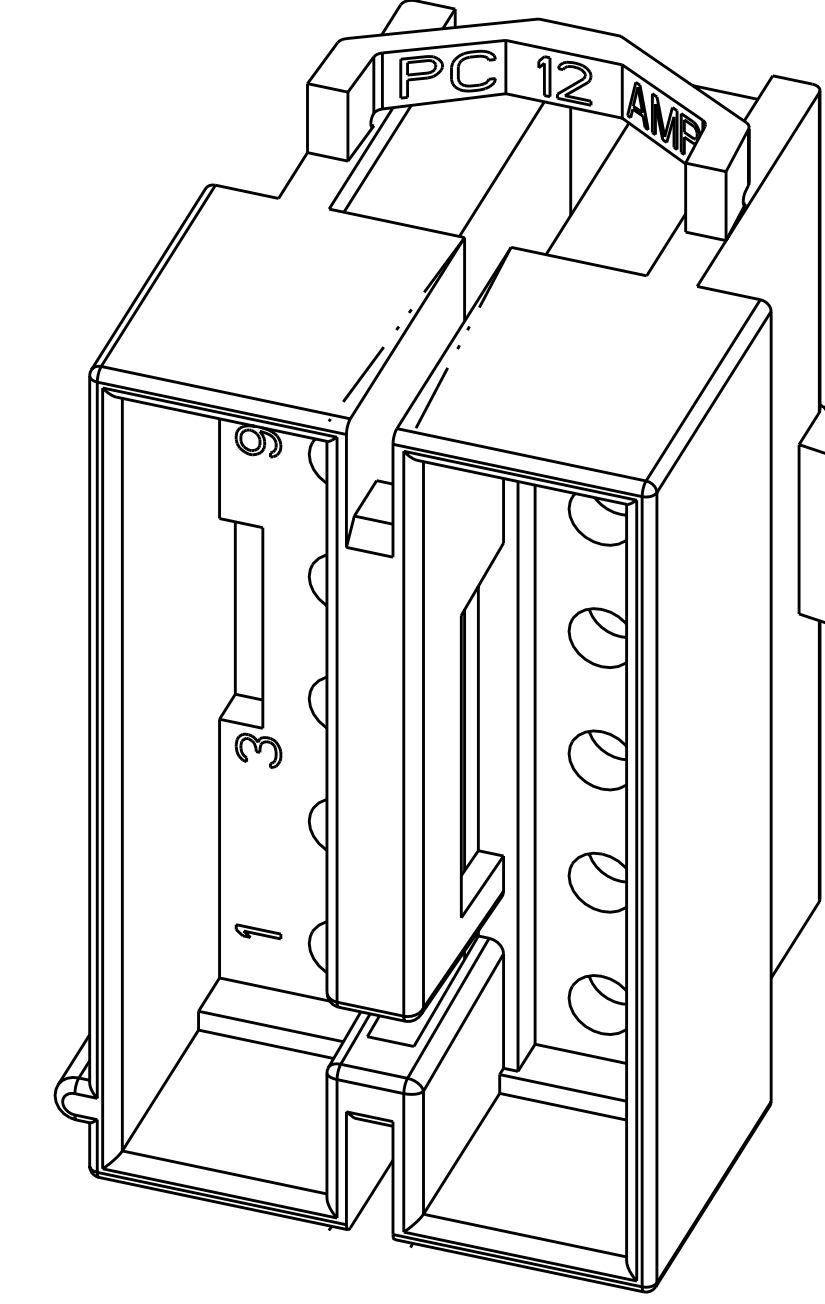
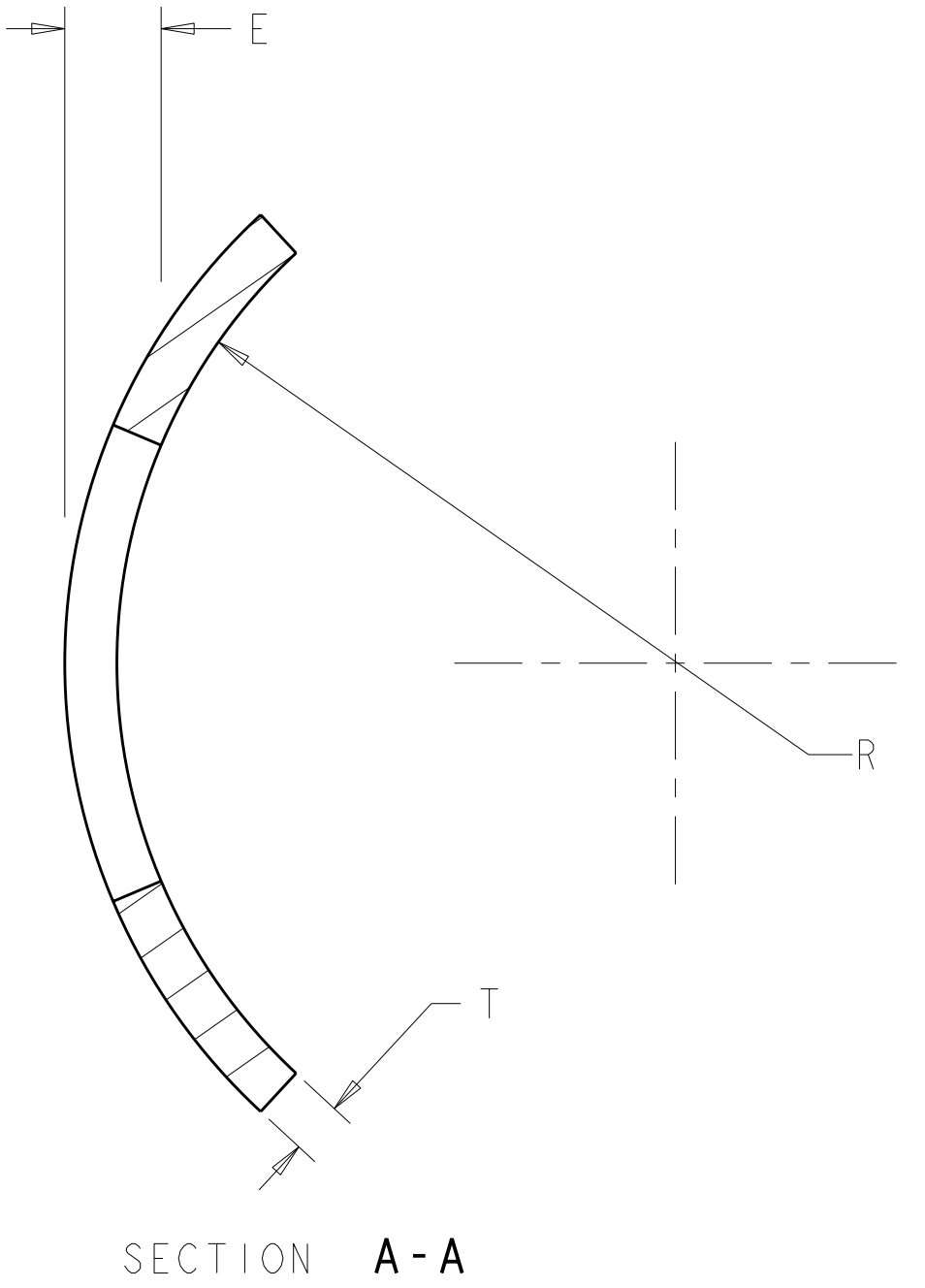
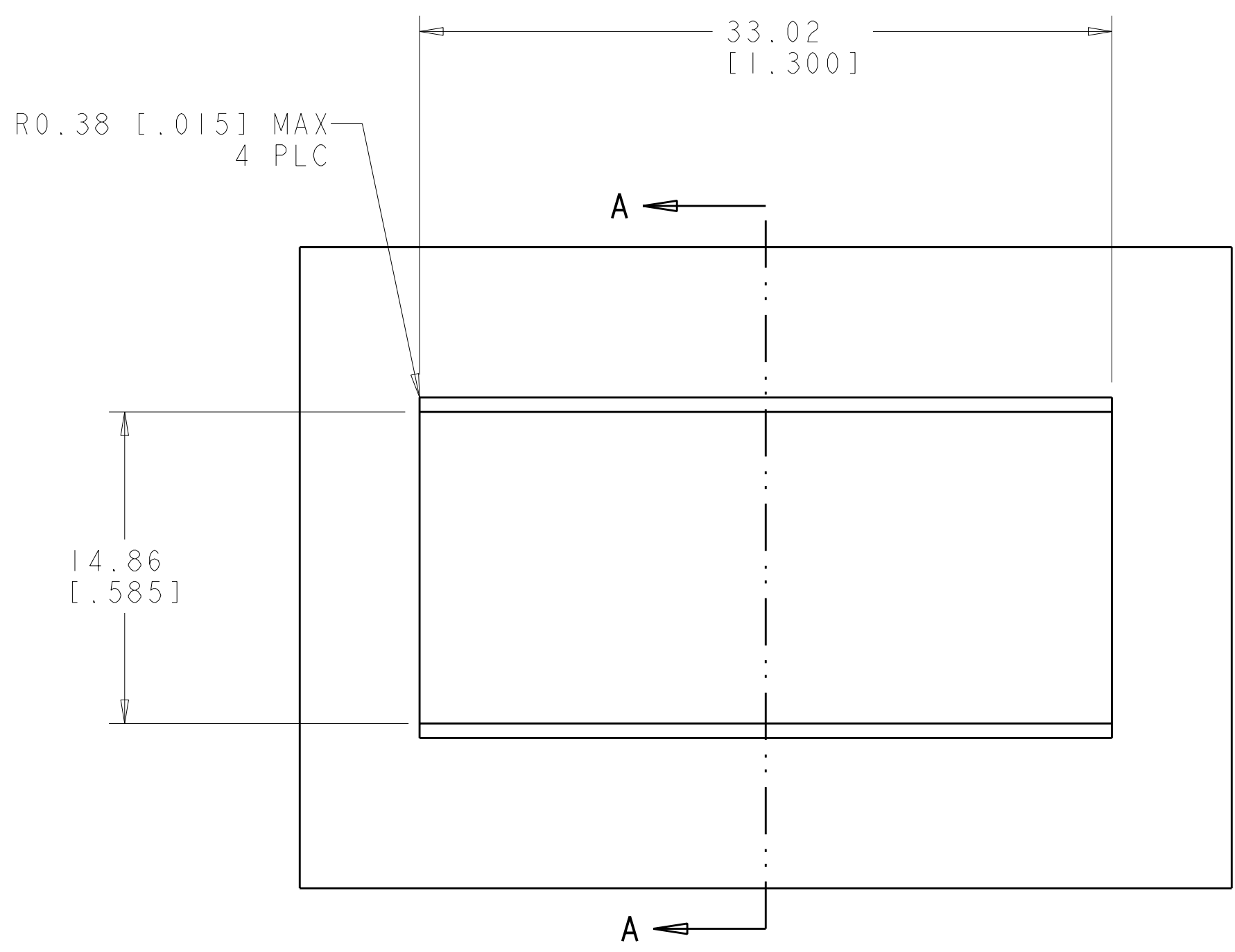
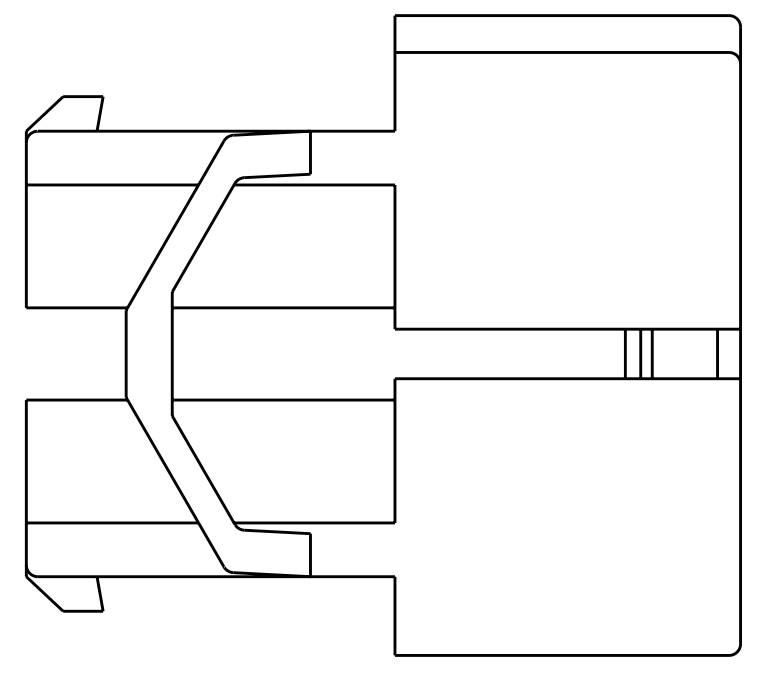


LOC	DIST	REVISIONS			
CM	00	REV	DATE	DWN	APVD
		F	ECO-07-030154	20DEC2007	KW CC



- TO BE USED WITH COMMERCIAL MATE-N-LOK™ PINS.
- TO BE USED WITH PLUG 480287.
- RECOMMENDED PANEL THICKNESS "E" IS 1.02-2.54 [1.040-.100] AND IS DEPENDENT ON "T" AND "R".
- HOUSING MUST BE INSERTED IN A ROCKING MANNER.
- THE PANEL MUST BE PUNCHED SO THAT THE HOUSING ENTERS THE PANEL IN THE SAME DIRECTION AS THE PUNCH.
- PANEL MUST NOT HAVE ANY MATERIAL (PAINT, PORCELAIN, ETC.) APPLIED IN THE MOUNTING HOLE AREA THAT WOULD DECREASE RETENTION OF THE HOUSING IN THE PANEL.



RECOMMENDED CUT OUT

0.329 IN <sup>3</sup>	1-480288-0
VOLUME	PART NUMBER

**METRIC**

<small>THIS DRAWING IS UNPUBLISHED. RELEASED FOR PUBLICATION BY TYCO ELECTRONICS CORPORATION. ALL RIGHTS RESERVED.</small>		DWN: R. WHITAKER CHK: C. CASH APVD: C. CASH	Z0DEC2007 Z0DEC2007 Z0DEC2007	Tyco Electronics Harrisburg, PA 17105-3608
DIMENSIONS: mm [INCHES]	TOLERANCES UNLESS OTHERWISE SPECIFIED: 9 PLC ± 1 PLC ±0.13 [1.005] 5 PLC ± 4 PLC ± ANGLES ±40° 30' FINISH -	PRODUCT SPEC APPLICATION SPEC WEIGHT CUSTOMER DRAWING	NAME: CAP, 12 CIRCUIT, MOTOR MOUNT, COMMERCIAL MATE-N-LOK (TM) SIZE: CAGE CODE: DRAWING NO: A100779C=480288 SCALE: 4:1 SHEET 1 OF 1 REV F	RESTRICTED TO