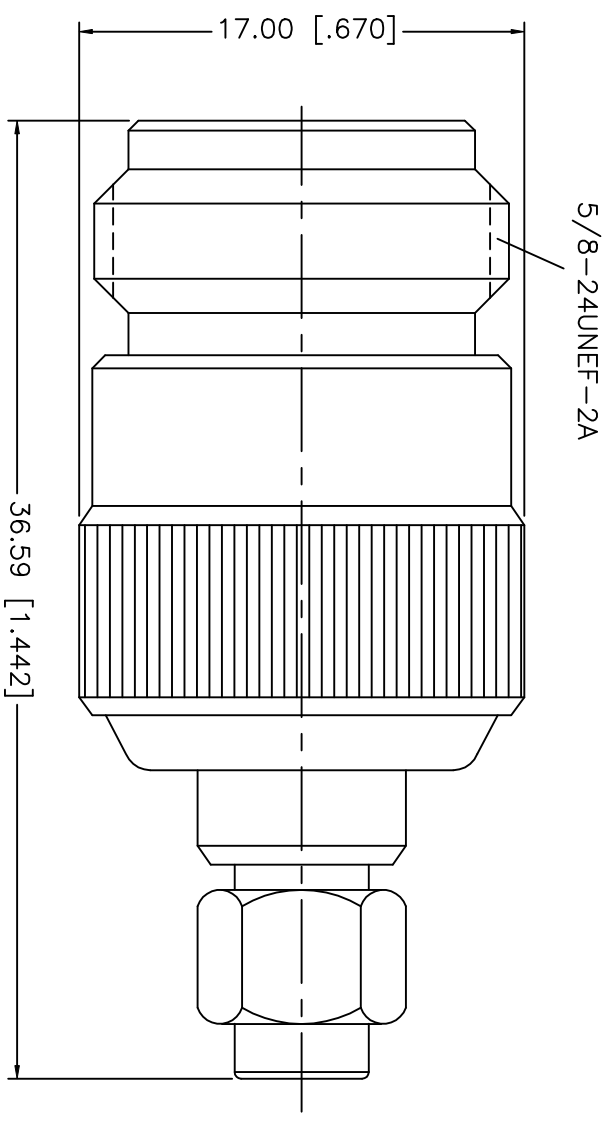


REV.	DATE	DESCRIPTION
NC	10/01/02	INITIAL RELEASE



8																			
7																			
6																			
5																			
4																			
3	CONTACT PIN	BFR. COPPER	GOLD																
2	INSULATOR	TEFLON	NATURAL																
1	BODY	BRASS	NICKEL																
	DESCRIPTION	MATERIAL	FINISH																

UNLESS OTHERWISE SPECIFIED DIMENSIONS ARE IN MILLIMETERS		APPROVALS		DATE		<h1 style="text-align: center;">Amphenol - Connex</h1> <p style="text-align: center;">CONNECTOR CORPORATION</p> <p style="text-align: center;">N JACK TO SMA REVERSE POLARITY PLUG ADAPTER</p>				TITLE		REV.			
DIMENSIONS IN [] ARE IN INCHES FOR CUSTOMER REFERENCE ONLY		DRAWN		10/01/02						SIZE		FSCM NO.		DWG. NO.	
		CHECKED								SCALE		PART NO.		SHEET	
		ISSUED								NA		242112RP		1 OF 1	

UNLESS OTHERWISE SPECIFIED TOLERANCES FOR INCHES ARE: .XXX = ± 0.005" .XX = ± 0.010" .X = ± 0.020"		DO NOT SCALE DRAWING	
---	--	----------------------	--