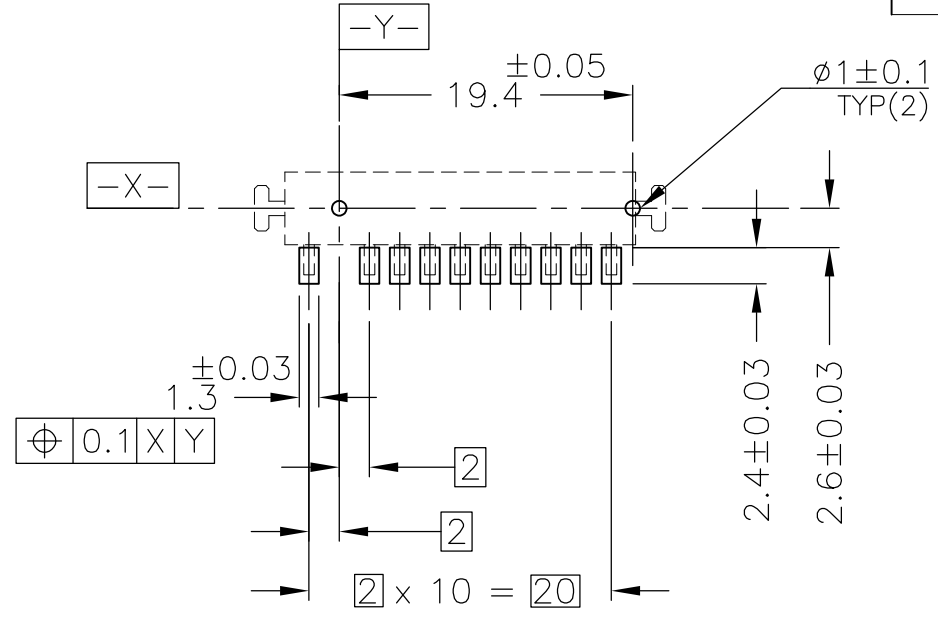
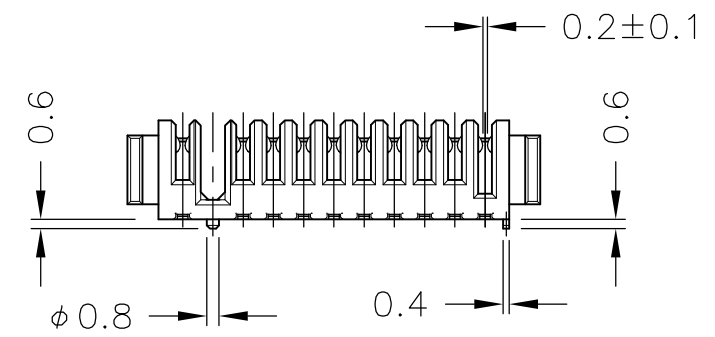
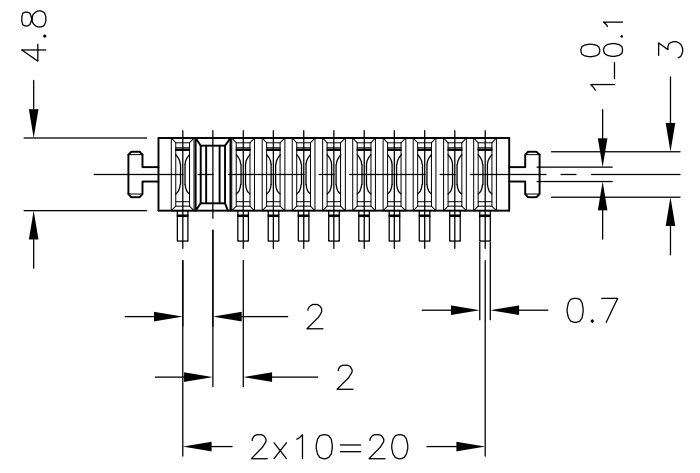
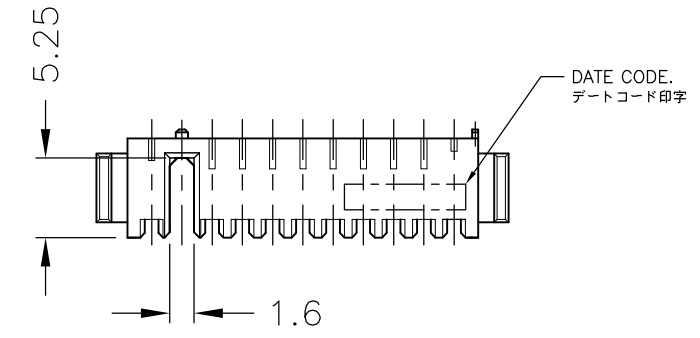
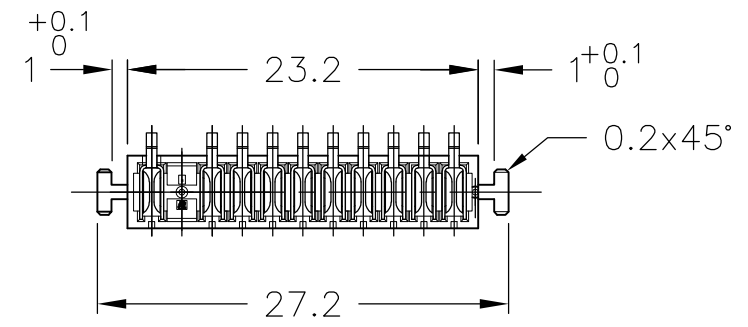
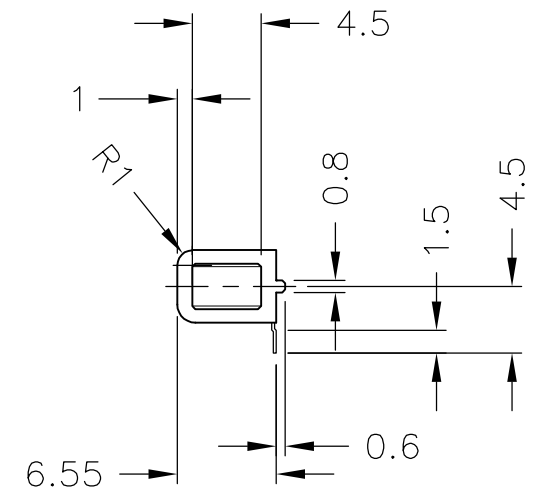


THIS DRAWING IS UNPUBLISHED. RELEASED FOR PUBLICATION
 © COPYRIGHT 2001 BY TYCO ELECTRONICS CORPORATION. ALL RIGHTS RESERVED.

LOC	DIST	REVISIONS					
J		P	LTR	DESCRIPTION	DATE	DWN	APVD
			D	REVISED PER ECR-10-012533	16JUN10	HMR	TM



基板取付推奨寸法
 RECOMMENDED P.C. BOARD LAYOUT
 P.C. BOARD THK 0.8~1.2
 (VIEW FROM CONNECTOR MOUNTING SIDE)



- △1 材料
 - ・ハウジング：熱可塑性樹脂、UL94V-O、黒
 - ・コンタクト：銅合金
- △2 仕上げ
 - ・コンタクト：全面ニッケル下地めっき
接触部 金めっき 0.3μm 以上
半田付け部 金フラッシュめっき
- △1 MATERIAL
 - ・HOUSING：THERMOPLASTIC RESIN
UL94V-O、BLACK
 - ・CONTACT：COPPER ALLOY
- △2 FINISH
 - ・CONTACT：Ni ALL OVER UNDER PL.
GOLD PL. (0.3μm MIN.) AT CONTACT AREA
Au FLASH PL. AT LEAD AREA

AS SHOWN	1612964-4
SUPERSEDED BY 1612964-4	1612964-3
REMARK	P/N

THIS DRAWING IS A CONTROLLED DOCUMENT.		DWN T.KATANO	30JAN03	Tyco Electronics Corporation Kawasaki, Japan
DIMENSIONS: 単位：mm		CHK K.IKEGAMI	30JAN03	
TOLERANCES UNLESS OTHERWISE SPECIFIED: 一般公差		APVD K.KODAIRA	30JAN03	NAME 名称 2mm PITCH BATTERY CONNECTOR RECEPTACLE ASSEMBLY
0 PLC ± 0.3 1 PLC ± 0.3 2 PLC ± 0.3 3 PLC ± 0.3 4 PLC ± 0.3 ANGLES ± 3'		PRODUCT SPEC 製品規格 108-5850	DRAWING NO 番号 G-1612964	
MATERIAL 材料	FINISH 仕上	WEIGHT	SIZE A3	CAGE CODE 00779
△1	△2		SCALE 尺度 2:1	SHEET 1 OF 1
CUSTOMER DRAWING			RESTRICTED TO	REV D