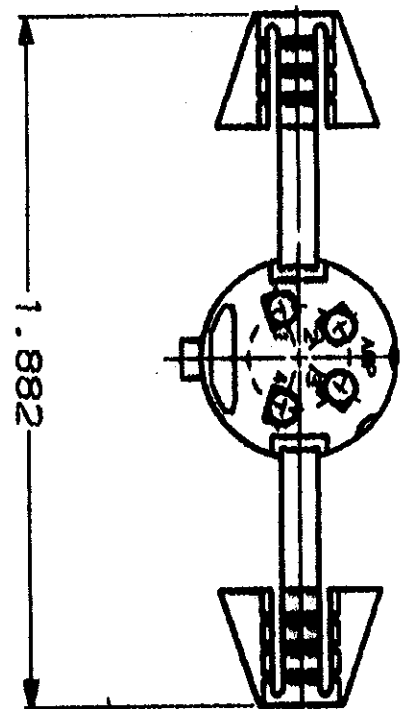
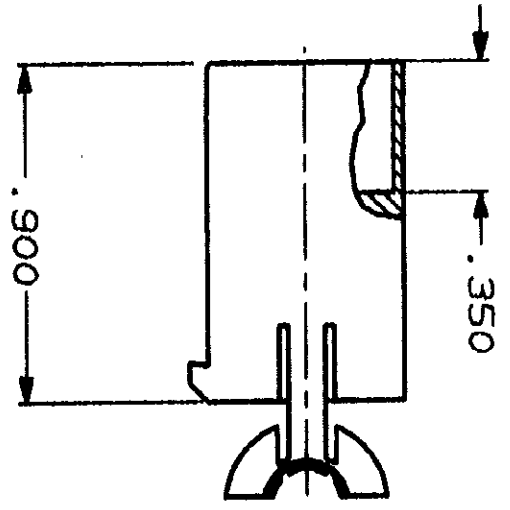
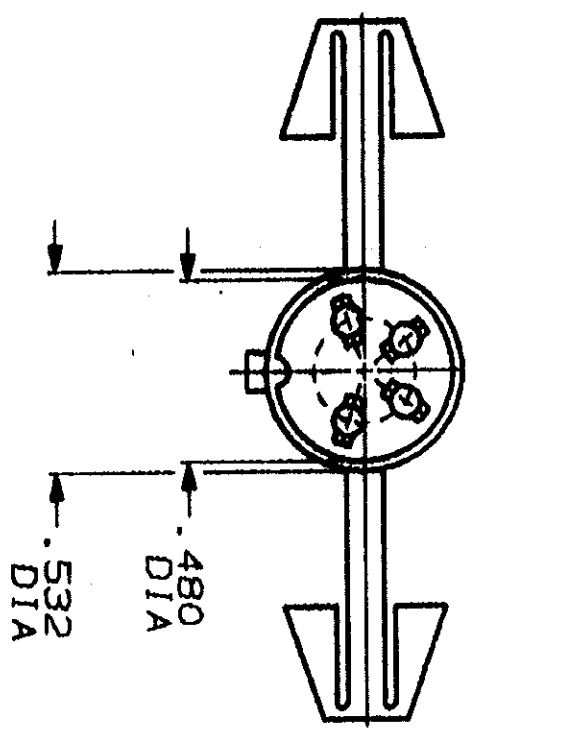


DRAWING MADE IN THIRD ANGLE PROJECTION
 THIS DRAWING IS UNPUBLISHED.
 © COPYRIGHT 19
 RELEASED FOR PUBLICATION
 BY AMP INCORPORATED. ALL INTERNATIONAL RIGHTS RESERVED. .19

NO	LOC	DATE	REVISIONS	DATE	APPD
23	BD	39		8/22/98	KD
			ZONE LTR		
			B REDRAWN		



1. ASSEMBLES WITH 207314-1

DO NOT SCALE PRINT.
 UNLESS SPECIFIED
 DIMENSIONS IN INCHES
 TOLERANCES ON :
 2 PLC DEC # .005
 3 PLC DEC # .005
 ANGLES
 MATERIAL
 NYLON, BLACK

AMP
 AMP Incorporated
 Harrisburg, PA 17105-3508

DR 8/20/98
 A. STUBS BG
 CHK - Arnold 5-30-91
 APPD K. Basso 6-2-91
 PRODUCT SPEC
 APPLICATION SPEC
 FINISH
 WEIGHT

NAME
 HOUSING, PIN CONTACT
 AUDIO MICROPHONE CONNECTOR, 4 POSN
 SIZE CAGE CODE DRAWING NO
 C 00779 207313
 SCALE 2:1 SHEET 1 OF 1

207313-1
 PART
 NO.

207313

CUSTOMER DRAWING