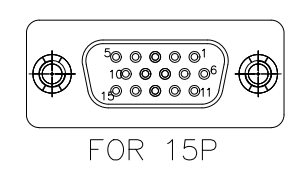
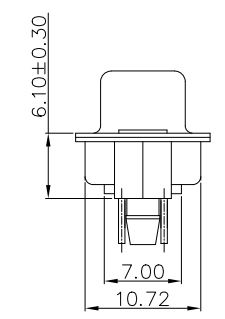
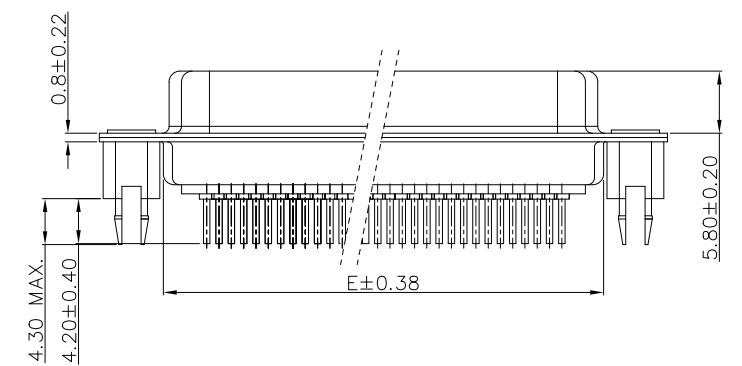
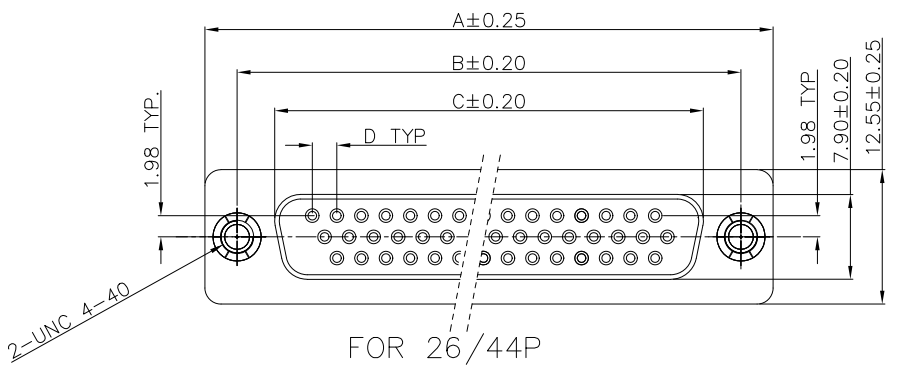


Amphenol FCI

© 2016 AFCI



NOTES:

- CHARACTERISTICS:**
 RATED VOLTAGE: 250V
 RATED CURRENT: 2.5AMP
 CONTACT RESISTANCE: 25mohms MAX. INITIAL,
 40mohms MAX. AFTER.
 INSULATION RESISTANCE: 5000Mohms MIN. at 500V DC
 DIELECTRIC STRENGTH: 750VRMS
 OPERATING TEMPERATURE RANGE: -55° C~105° C
 INSERTION/EXTRACTION FORCE PER CONTACT: 5N Max. /0.2N Min.
 MATING/UNMATING CYCLES: 50MATING CYCLES MIN FOR GOLD-FLASH
 500MATING CYCLES MIN FOR 30u" GOLD.
- MATERIAL:**
 INSULATORS: THERMOPLASTIC G.F(UL94V-0) BLACK
 CONTACTS: COPPER ALLOY, GOLD(G/F or 30U") TOP OVER CONTACT
 AREA, 100u" Min MATTE TIN TOP OVER SOLDER AREA,
 50u" Min NICKEL UNDER PLATE.
 SHELL: CARBON STEEL, 100u" Min NICKEL TOP OVER,
 50u" Min COPPER UNDER PLATE.
 HARPOON: COPPER ALLOY , 100u" Min MATTE TIN PLATED.
- PROCESS CONDITIONS FOR SOLDERING**
 FOR H TYPE:
 THE HOUSING WILL WITHSTAND EXPOSURE TO 260° C PEAK TEMPERATURE FOR 10 SECONDS MAXIMUM IN A WAVE SOLDERING APPLICATION
 FOR S TYPE:
 THE HOUSING WILL WITHSTAND EXPOSURE TO 205° C PEAK TEMPERATURE FOR 5 SECONDS MAXIMUM IN A WAVE SOLDERING APPLICATION
- PART NUMBER DESCRIPTION:**

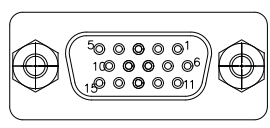
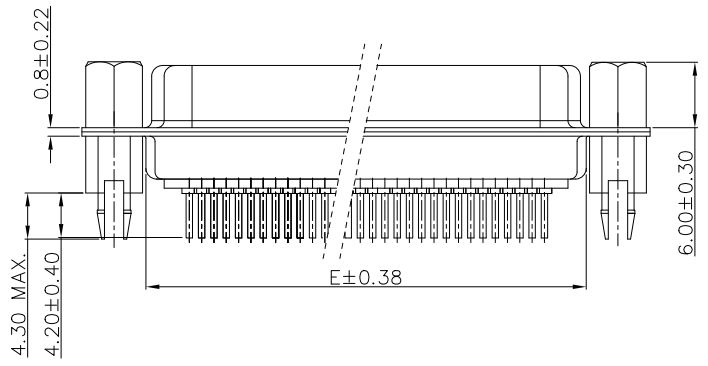
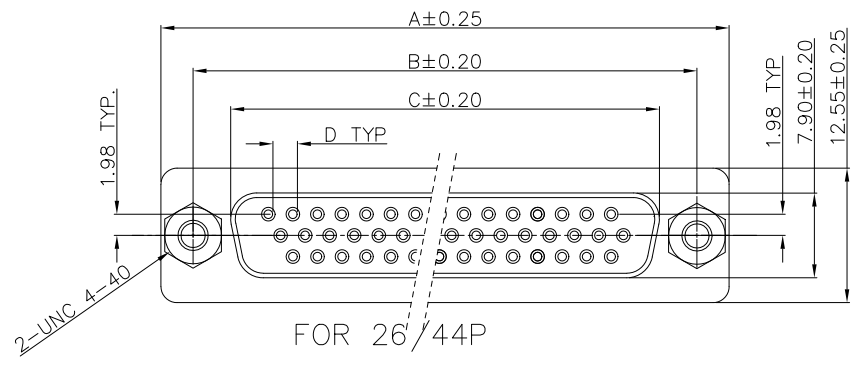
10090929-S XX X X LF

SERIES NO. TYPE LF: ROHS COMPLIANT
 S: SOCKET PBT (FEMALE) FLANGE MOUNTING OPTION
 H: SOCKET PA9T (FEMALE) X: UNC #4-40 CLINCHNUTS
 (See Note 3)
 NUMBER OF CONTACTS CONTACT FINISH
 15: 15-PIN 4: FLASH GOLD
 26: 26-PIN 6: 30u" GOLD
 44: 44-PIN

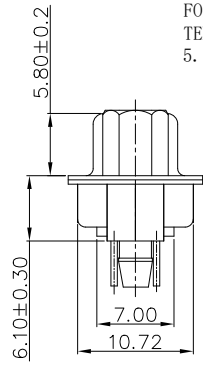
POS.	PART NO.	THREAD TYPE
15	10090929-*15*XLF	UNC #4-40
26	10090929-*26*XLF	UNC #4-40
44	10090929-*44*XLF	UNC #4-40

POS.	A	B	C	D	E
15	30.81	24.99	16.33	2.29	19.10
26	39.24	33.32	24.66	2.29	27.75
44	53.04	47.04	38.38	2.29	41.30

mat'l. code				surface ISO 1302 ✓		tolerance ISO 406 ISO 1101		projection		product family	
-								D-SUB		D-SUB	
ltr	ecn no	dr	date	tolerances unless otherwise specified				title		H/D D-SUB FEMALE STRAIGHT	
H	ELX-N-4677	TY	12/14/22	angles	.0±0.38		MM				
B	T10-0164	JH	10/19/10	linear	.00±0.25						
C	ELX-I-15500	AB	2013/08/21	0°±2'	.000±0.010		scale 2:1				
D	ELX-I-18426	AB	2014/07/29	dr	JASON HSU	12/10/09			dwg no sheet 1 of 3 size		
E	ELX-I-20972	AB	2015/05/30	eng	MITHUN PAUL	2016/04/27			10090929 A3		
F	ELX-I-24092	MP	2016/05/13	chr	GREGAR MATHEW	2019/08/22			type Product Customer Drawing		
G	ELX-I-34650	GM	2019/08/22	appd	SANOJ P K	2019/08/22					
sheet	revision	H	H	H							
index	sheet	1	2	3							



FOR 15P



10090929-S XX X V LF

SERIES NO. _____

TYPE _____

S: SOCKET (FEMALE)
H: SOCKET PART (FEMALE)
(See Note 3)

NUMBER OF CONTACTS _____

15: 15-PIN
26: 26-PIN
44: 44-PIN

LF: ROHS COMPLIANT

FLANGE MOUNTING OPTION
V: UNC #4-40 SCREWS
LOCKS

CONTACT FINISH
4: FLASH GOLD
6: 30u" GOLD

POS.	A	B	C	D	E
15	30.81	24.99	16.33	2.29	19.10
26	39.24	33.32	24.66	2.29	27.75
44	53.04	47.04	38.38	2.29	41.30

REMARK:

1. CHARACTERISTICS:

RATED VOLTAGE: 250V
 RATED CURRENT: 2.5AMP
 CONTACT RESISTANCE: 25mohms MAX. INITIAL,
 40mohms MAX. AFTER.
 INSULATION RESISTANCE: 5000Mohms MIN. at 500V DC
 DIELECTRIC STRENGTH: 750VRMS
 OPERATING TEMPERATURE RANGE: -55° C~105° C
 INSERTION/EXTRACTION FORCE PER CONTACT: 5N Max./0.2N Min.
 MATING/UNMATING CYCLES: 50MATING CYCLES MIN FOR GOLD-FLASH
 500MATING CYCLES MIN FOR 30u" GOLD.

2. MATERIAL:

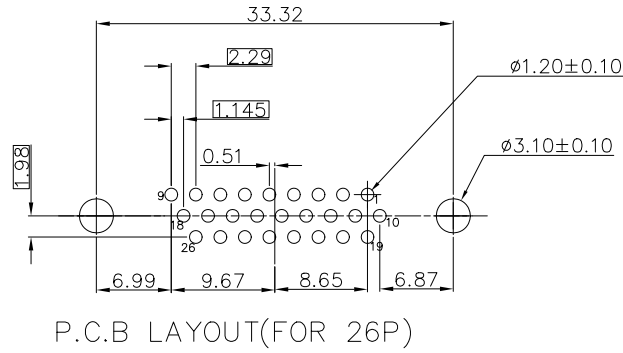
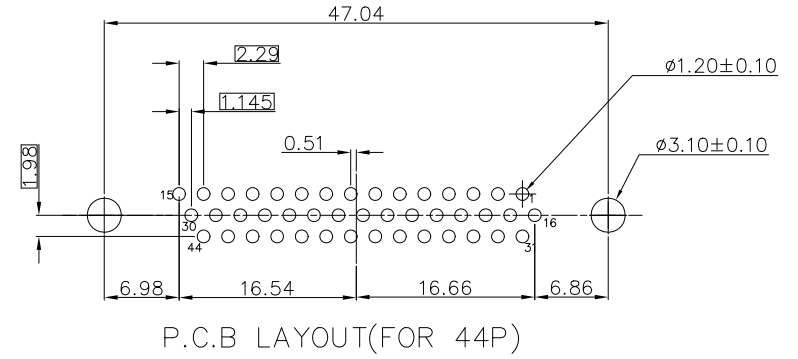
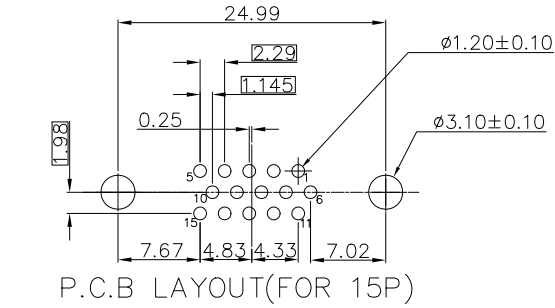
INSULATORS: THERMOPLASTIC G.F(UL94V-0) BLACK
 CONTACTS: COPPER ALLOY, GOLD(G/F or 30u") TOP OVER CONTACT
 AREA, 100u" Min MATTE TIN TOP OVER SOLDER AREA,
 50u" Min NICKEL UNDER PLATE.
 SHELL: CARBON STEEL, 100u" Min NICKEL TOP OVER,
 50u" Min COPPER UNDER PLATE.
 HARPOON: COPPER ALLOY , 100u" Min MATTE TIN PLATED.
 NUT: COPPER ALLOY , 50u" Min NICKEL PLATED.

3. PROCESS CONDITIONS FOR SOLDERING

FOR H TYPE: THE HOUSING WILL WITHSTAND EXPOSURE TO 260° C PEAK
 TEMPERATURE FOR 10 SECONDS MAXIMUM IN A WAVE SOLDERING APPLICATION
 FOR S TYPE: THE HOUSING WILL WITHSTAND EXPOSURE TO 205° C PEAK
 TEMPERATURE FOR 5 SECONDS MAXIMUM IN A WAVE SOLDERING APPLICATION

5. PART NUMBER DESCRIPTION:

mat'l. code		surface		tolerance		projection		product family	
-		ISO 1302 ✓		ISO 406 ISO 1101				D-SUB	
ltr		ecn no dr date		tolerances unless otherwise specified				title	
H				.0±0.38		MM		H/D D-SUB FEMALE STRAIGHT	
				.00±0.25					
				.000±0.010		scale 2:1			
		dr JASON HSU 12/10/09						dwg no sheet 2 of 3 size	
		eng MITHUN PAUL 2016/04/27				Amphenol FCI		10090929 A3	
		chr GREGAR MATHEW 2019/08/22						type Product Customer Drawing	
		appd SANJOJ P K 2019/08/22							
sheet index		revision sheet							



Amphenol
FCI

© 2016 AFCI

mat'l. code		surface		tolerance		projection		product family	
-		ISO 1302 ✓		ISO 406 ISO 1101				D-SUB	
ltr		ecn no		dr		date		title	
H								H/D D-SUB FEMALE STRAIGHT	
				tolerances unless otherwise specified				dwg no	
				angles				sheet 3 of 3	
				linear				size	
				0°±2'		scale 2:1		A3	
				dr		JASON HSU 12/10/09		Amphenol	
				eng		MITHUN PAUL 2016/04/27		FCI	
				chr		GREGAR MATHEW 2019/08/22		10090929	
				appd		SANOJ P K 2019/08/22		type Product Customer Drawing	
sheet		revision							
index		sheet							