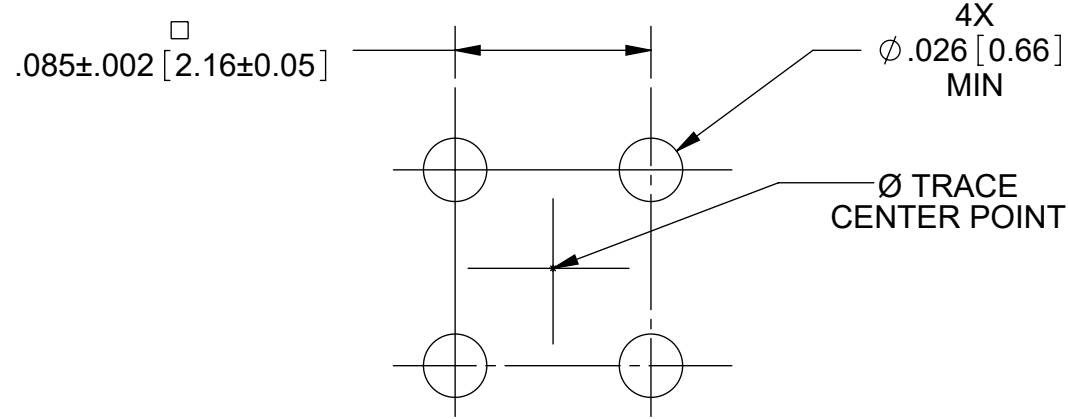
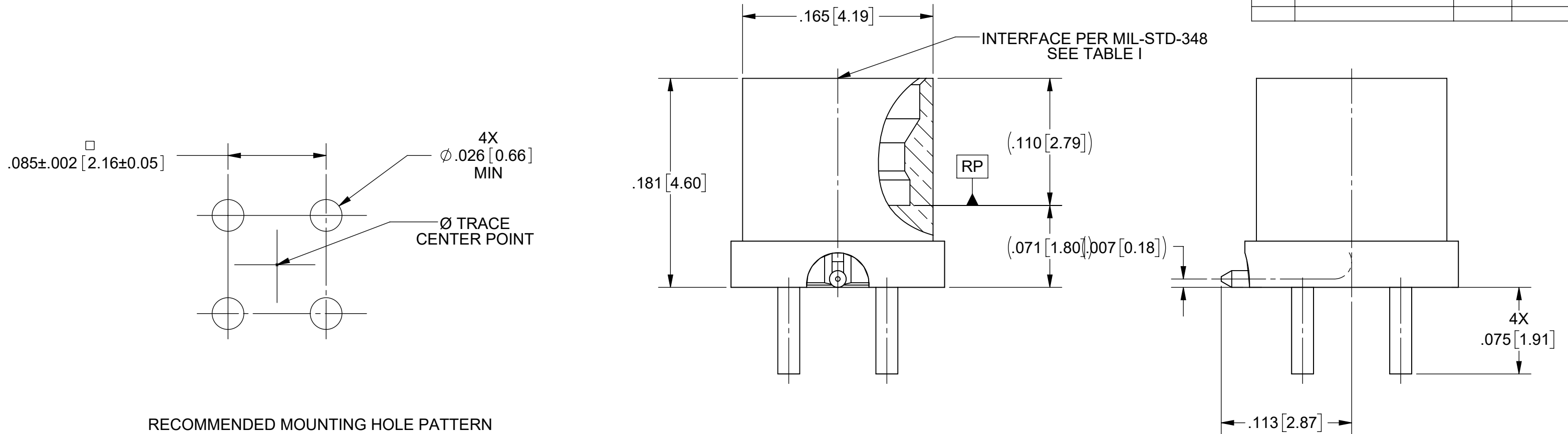
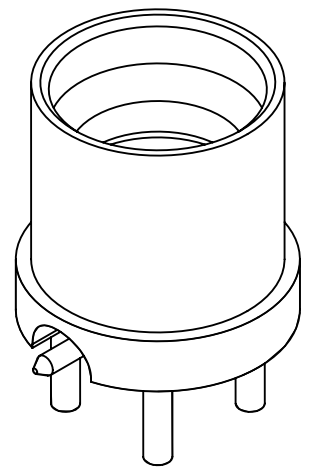
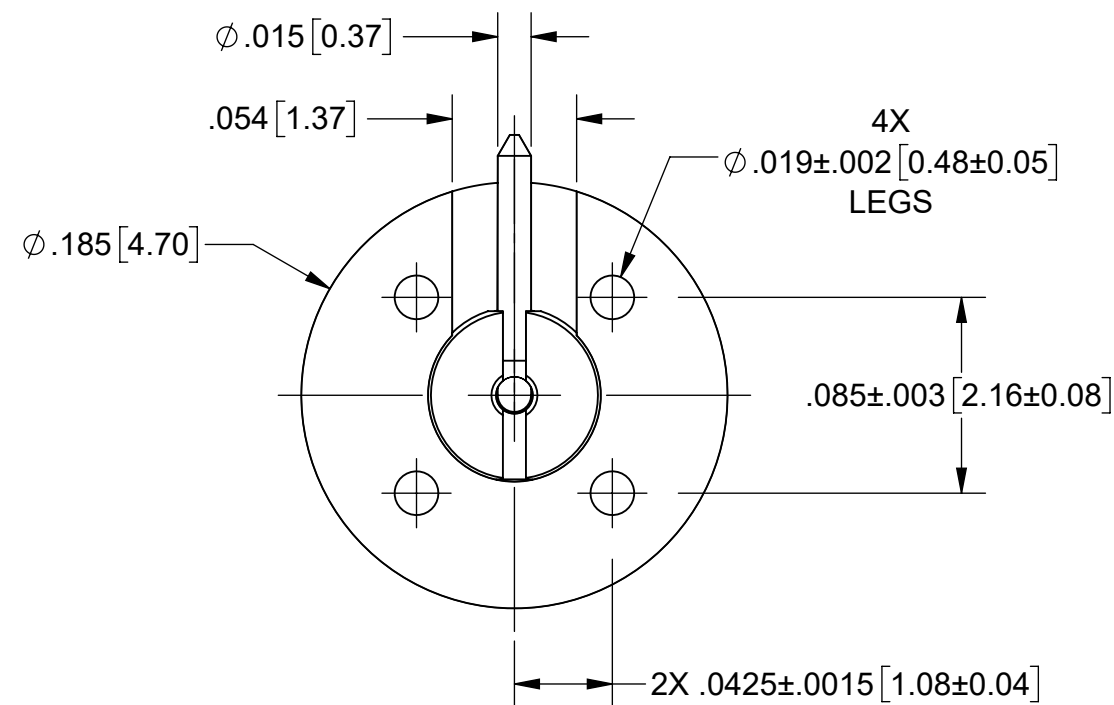


# PRODUCT DATA DRAWING

REVISION HISTORY			
REV	DESCRIPTION	DATE	APPROVED
-	REL. NRN 46214	08/16/21	STW



RECOMMENDED MOUNTING HOLE PATTERN



MATERIAL:

BODY & CONTACT:

INSULATOR:

FINISH:

BODY & CONTACT:

PERFORMANCE:

IMPEDANCE:  
FREQ. RANGE:

BERYLLIUM COPPER PER ASTM B196,  
ALLOY No. UNS C17300, TD04.

PAI (TORLON 4203) PER ASTM D5204.

GOLD PER ASTM B488, TYPE II, CODE C, CLASS .76  
OVER NICKEL PER AMS-QQ-N-290, CLASS 1, .00010" MIN.

50 OHMS  
DC TO 26.5 GHz.

TABLE I	
PART NUMBER	INTERFACE
1211-40108	SMOOTH BORE
1211-40109	LIMITED DETENT
1211-40110	FULL DETENT

MATERIAL: SEE NOTES	DIMENSIONS ARE IN INCHES TOLERANCES: FRACTIONAL: ±1/64 ANGULAR: X° ±1'0" X'X' ±15'	UNLESS OTHERWISE SPECIFIED 1) ALL DIMENSIONS ARE IN INCHES (MILLIMETERS) 2) ALL DIMENSIONS ARE AFTER PLATING. 3) BREAK CORNERS & EDGES .005 R. MAX. 4) CHAM. 1ST & LAST THREADS. 5) SURFACE ROUGHNESS 63-MIL-STD-10. 6) DIA: 'S ON COMMON CENTERS TO BE CONCENTRIC WITHIN .005 T.I.R. 7) REMOVE ALL BURRS	 www.svmicrowave.com TITLE: SMP MALE SURFACE MT W/ R/A CONTACT SIZE DWG. NO. B 1211-40108-40110 SCALE: 12:1 SHEET 1 OF 1
FINISH: SEE NOTES	DECIMAL: X ±.030 .XX ±.010 .XXX ±.005	INTERPRET DIMENSIONS AND TOLERANCES PER ASME Y14.5M - 1994	
SURFACE AREA: N/A	THIRD ANGLE PROJECTION	DRAWN: JMC 08/16/21	
PROPRIETARY THE INFORMATION CONTAINED IN THIS DRAWING IS THE SOLE PROPERTY OF SV MICROWAVE, INC. ANY REPRODUCTION IN PART OR AS A WHOLE WITHOUT THE WRITTEN PERMISSION OF SV MICROWAVE, INC IS PROHIBITED.		CHECKED: SEE PDM	
		APPROVED: SEE PDM	