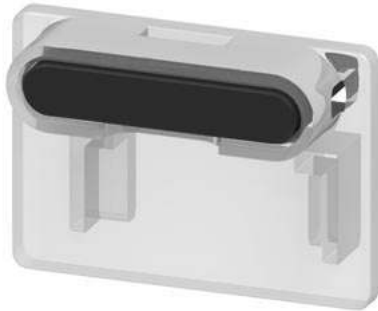


sealable cover, protection against accidental manual operation, for contactors 3RT2 and auxiliary contactors 3RH2, not suitable for coupling contactors), multi-unit packaging, pack = 5 units



product brand name	SIRIUS	
product designation	sealable cover	
General technical data		
certificate of suitability	CE	
Substance Prohibition (Date)	10/01/2009	
Ambient conditions		
ambient temperature		
• during operation	-25 ... +60 °C	
• during storage	-50 ... +80 °C	
Safety related data		
touch protection against electrical shock	finger-safe with cover	
Approvals Certificates		
General Product Approval	EMC	Declaration of Conformity



[Confirmation](#)



Declaration of Conformity	Test Certificates	Marine / Shipping	
 EG-Konf.	Special Test Certificate	   	
Marine / Shipping	other	Railway	Environment



[Confirmation](#)



[Vibration and Shock](#)

[Environmental Confirmations](#)

Further information

Siemens has decided to exit the Russian market (see here).
<https://press.siemens.com/global/en/pressrelease/siemens-wind-down-russian-business>

Siemens is working on the renewal of the current EAC certificates.

Please contact your local Siemens office on the status of validity of the EAC certification if you intend to import or offer to supply these products to an EAC relevant market (other than the sanctioned EAEU member states Russia or Belarus).

Information on the packaging

<https://support.industry.siemens.com/cs/ww/en/view/109813875>

Information- and Downloadcenter (Catalogs, Brochures,...)

<https://www.siemens.com/ic10>

Industry Mall (Online ordering system)

<https://mall.industry.siemens.com/mall/en/en/Catalog/product?mlfb=3RT2916-4MA10>

Cax online generator

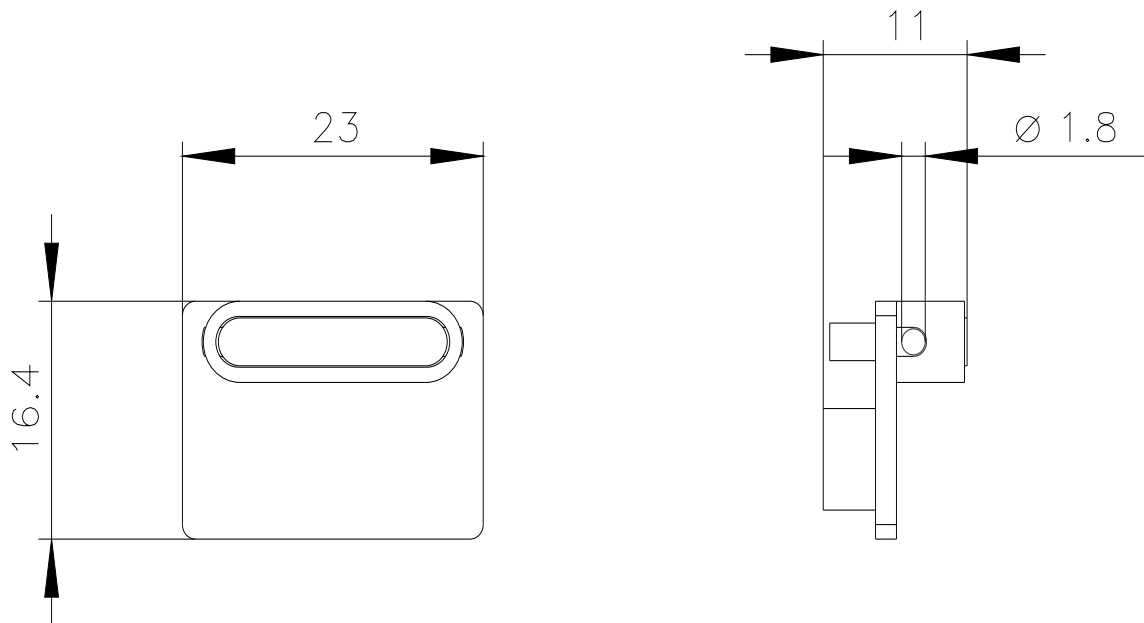
<http://support.automation.siemens.com/WW/CAXorder/default.aspx?lang=en&mlfb=3RT2916-4MA10>

Service&Support (Manuals, Certificates, Characteristics, FAQs,...)

<https://support.industry.siemens.com/cs/ww/en/ps/3RT2916-4MA10>

Image database (product images, 2D dimension drawings, 3D models, device circuit diagrams, EPLAN macros, ...)

http://www.automation.siemens.com/bilddb/cax_de.aspx?mlfb=3RT2916-4MA10&lang=en



last modified:

12/23/2020 