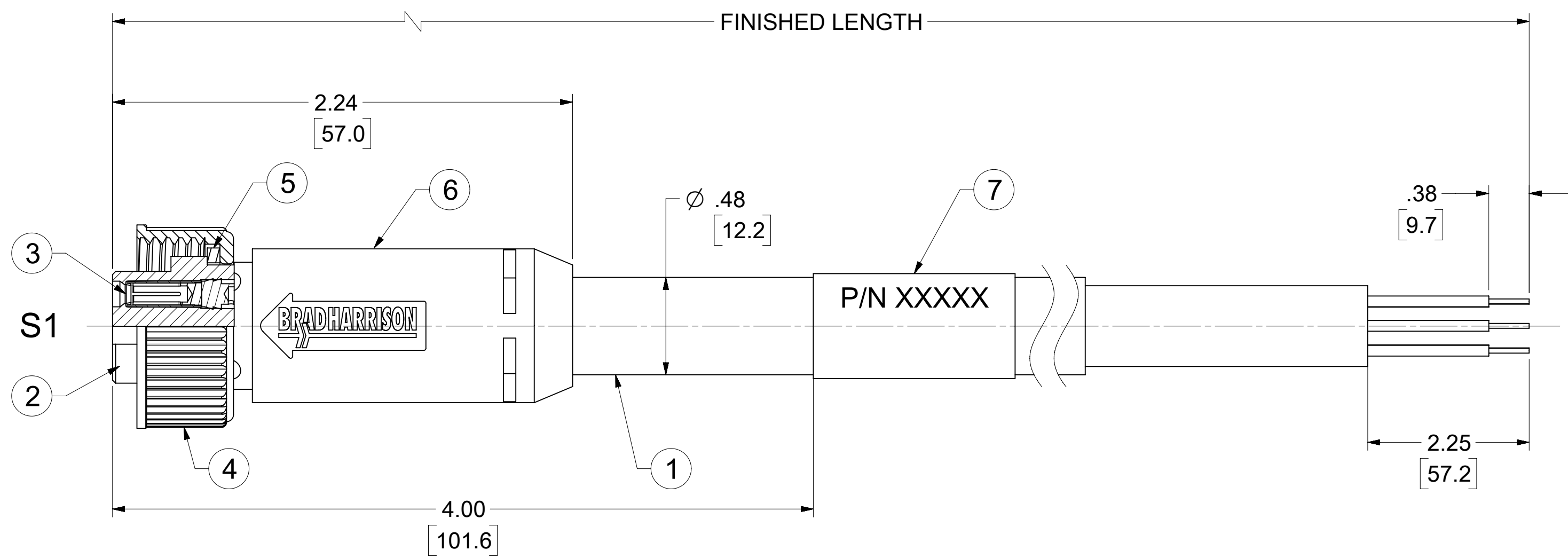
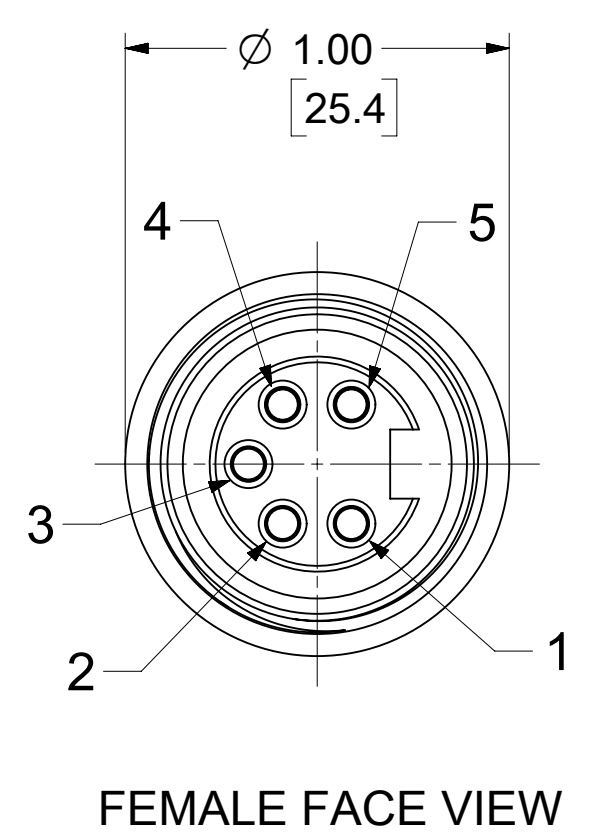
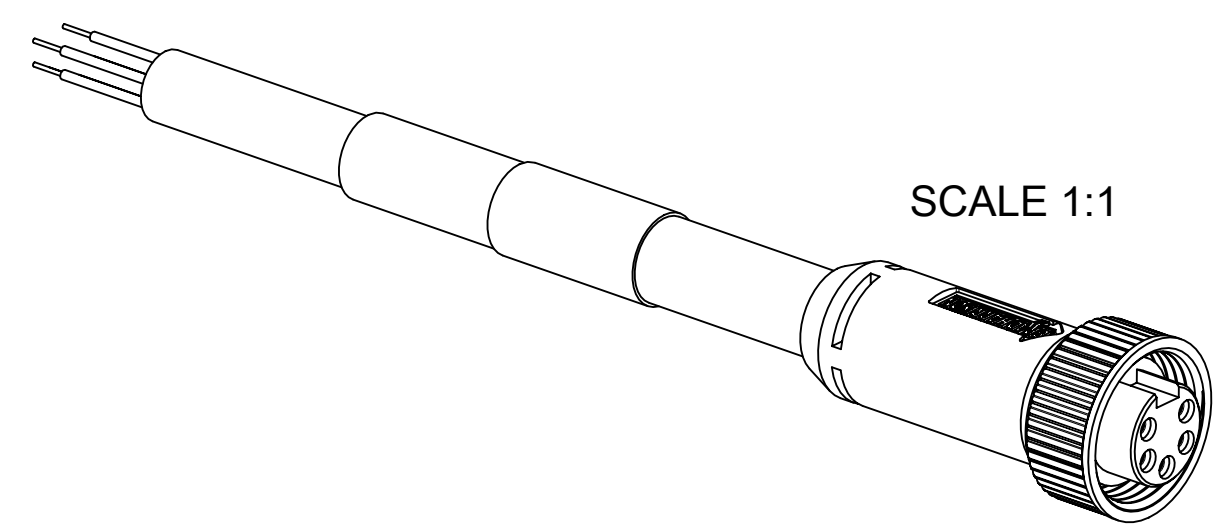


MATERIAL NO.	ENGINEERING NO.	FINISHED LENGTH
1300240073	DN10A-M010	1 M (3 FT 3.37 IN)
1300240078	DN10A-M030	3 M (9 FT 10.11 IN)
1300240080	DN10A-M050	5 M (16 FT 4.85 IN)

CABLE LENGTH TOLERANCES
 <.3M [1FT]: +19mm-0 [+.75in-0]
 .3 - .9M [1 - 3FT]: +44.5mm-0 [+1.75in-0]
 .9 - 1.8M [3 - 6FT]: +55.6mm-0 [+2.19in-0]
 1.8 - 3.7M [6 - 12FT]: +88.9mm-0 [+3.50in-0]
 3.7 - 7.3M [12 - 24FT]: +165.1mm-0 [+6.50in-0]
 7.3-14.6M [24 - 48FT]: +317.5mm-0 [+12.50in-0]
 14.6 - 30.5M [48-100FT]: +622.3mm-0 [+24.50in-0]
 OVER 30M [100FT] +2% OF FINISHED LENGTH



- NOTES:**
- MATERIAL: AS NOTED
 - FINISH: AS NOTED
 - ELECTRICAL:
VOLTAGE RATING: 300V
CURRENT: 4A
 - TEMP RATING: -20°C TO +80°C (B)
 - PROTECTION: IP67 (WHEN MATED) (B)
 - CSA CERTIFIED FILE: LR6837 (B)
UL RECOGNIZED FILE: E152210
 - COUPLING THREAD: 7/8-16UN
 - ALL DIMS ARE FOR REFERENCE UNLESS TOLERANCED OR NOTED OTHERWISE

WIRING DIAGRAM

S1	DESCRIPTION
1	DRAIN
2	RED +V
3	BLACK -V
4	WHITE CAN H
5	BLUE CAN L

PART NUMBER LEGEND (B)

DN10A-M010

FINISHED LENGTH
 M005= 0.5 M
 M010= 1 M
 M100= 10M

ITEM	DESCRIPTION	MATERIAL	FINISH
7	WRAP LABEL	VINYL	BLACK/YELLOW
6	OVERMOLD	TPE	GRAY
5	FRICITION RING	NYLON	WHITE
4	COUPLING NUT	ZINC DIE CAST	BLACK E-COAT
3	SOCKET CONTACT	Cu ALLOY	GOLD OVER NICKEL
2	FEMALE INSERT	TPE	BLACK
1	CABLE, DEV-NET, TRUNK, 18-2, 15-2	PVC JACKET	GRAY
ITEM	DESCRIPTION	MATERIAL	FINISH

FUNCTIONAL SYMBOLS FA=0 FC=0 FP=0	THIS DRAWING CONTAINS INFORMATION THAT IS PROPRIETARY TO MOLEX ELECTRONIC TECHNOLOGIES, LLC AND SHOULD NOT BE USED WITHOUT WRITTEN PERMISSION		CURRENT REV DESC: UPDATED ITEM #2.6 WERE PVC & MATERIAL P/N TABLE. REMOVED ADDN. SOCKET TO AVOID DUPLICATION, ADDED CSA, UL, TEMP RATING, IP RATING, TOL. CHART & PART NUMBER LEGEND	molex			
	DIMENSION UNITS	SCALE					EC NO: 698297
	INCH/MM	2:1		DRWN: AKABADI 2021/10/13			
	GENERAL TOLERANCES (UNLESS SPECIFIED)			CHK'D: RSTONE 2022/03/16			
DIVISIONAL SYMBOLS	4 PLACES	±	±	APPR: BWOODMAN 2022/03/26	PRODUCT CUSTOMER DRAWING		
	3 PLACES	±	±	INITIAL REVISION:	DOCUMENT NUMBER	DOC TYPE	
	2 PLACES	±	±	DRWN: RSTONE 2009/04/24	SD-130024-003	PSD	
	1 PLACE	±	±	APPR: JFMURPHY 2009/05/14	001	B	
DRAFT WHERE APPLICABLE MUST REMAIN WITHIN DIMENSIONS		THIRD ANGLE PROJECTION	DRAWING	SERIES	MATERIAL NUMBER	CUSTOMER	SHEET NUMBER
			C-SIZE	130024	SEE TABLE	GENERAL MARKET	1 OF 1