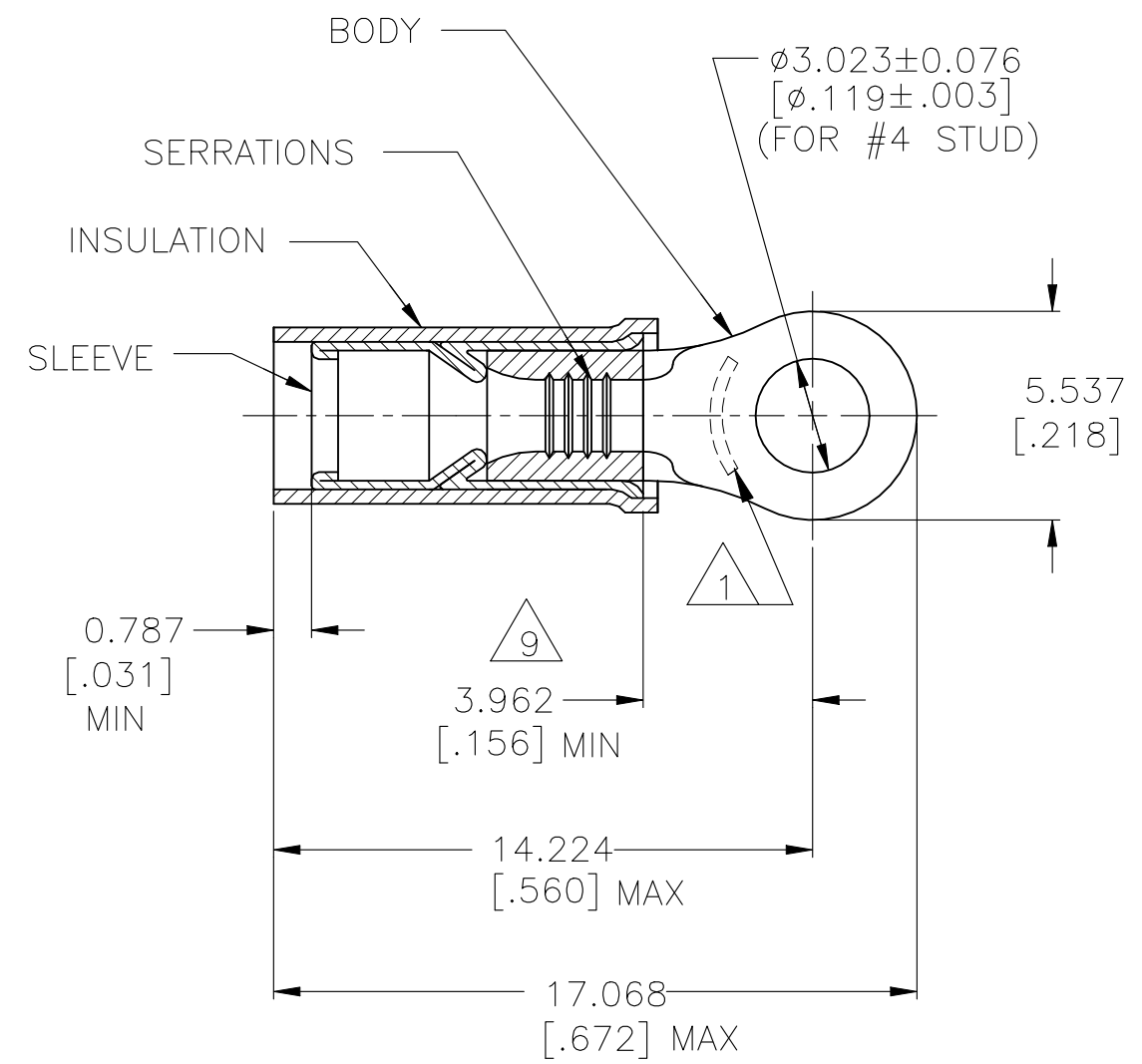


© - TE Connectivity. All Rights Reserved.

REVISIONS				
P	LTR	DESCRIPTION	DATE	APVD
	K7	ECR-22-138429	19MAY2022	LP DSC

**AMP**  
WIRE RANGE

18-16 AWG  
STRANDED ONLY



- 1 STAMP "AMP 18-16\*" APPROX AS SHOWN
- 2 FOR 1.397[.055] TO 3.429[.135] WIRE INSULATION DIA.
- 3 BODY MATERIAL THK: 0.787±0.051 [.031±.002]
- 4 MATERIAL:  
BODY & SLEEVE - COPPER PER ASTM B152  
INSULATION - PTFE PER ASTM D4895
- 5 FINISH:  
BODY - NICKEL PLATE 0.00762[.00030] AVG EXT THK PER SAE AMS-QQ-N-290  
SLEEVE - NICKEL PLATE 0.001651[.000065] AVG EXT THK PER SAE AMS-QQ-N-290  
INSULATION COLOR - ORANGE
- 6 NOTE DELETED
- 7 NOTE DELETED
- 8 NOTE DELETED
- 9 DIMENSION APPLIES FROM EDGE OF METAL WIRE BARREL TO CENTER OF STUD HOLE

1000	LOOSE PIECE	50834
QTY	PACKAGE TYPE	PART NO.

**AMP INCORPORATED**  
**CUSTOMER SERVICE SYSTEMS**

FOR ADDITIONAL PRODUCT INFORMATION OR COPIES OF DRAWINGS AND TECHNICAL DOCUMENTS  
PRODUCT INFORMATION CENTER  
1-800-522-6752

FOR APPLICATION TOOLING INFORMATION  
TOOLING ASSISTANCE CENTER  
1-800-722-1111

FOR ORDER ENTRY  
1-800-526-5142

MAX RECOMMENDED OPERATING TEMPERATURE:  
288°C [550° F]

VOLTAGE RATING:  
300V MAX

CIRCULAR MIL AREA:  
0.81-1.42mm² [1600-2800]  
STRANDED WIRE ONLY

THIS DRAWING IS A CONTROLLED DOCUMENT.

DIMENSIONS:  
mm [INCHES]

TOLERANCES UNLESS OTHERWISE SPECIFIED:

0 PLC	± -
1 PLC	± -
2 PLC	± -
3 PLC	± 0.127[.005]
4 PLC	± -
ANGLES	± -

MATERIAL: 4

FINISH: 5

DWN: JR RUTH 05JAN99  
CHK: RE HERSEY 05JAN99  
APVD: T MICHELUTTI 05JAN99

PRODUCT SPEC: -  
APPLICATION SPEC: 114-2162  
WEIGHT: -

**STE** TE Connectivity

NAME: TERMINAL, RING TONGUE, PIDG, STRATO-THERM, WIRE SIZE: 18-16 AWG

SIZE: A3 CAGE CODE: 00779 DRAWING NO: C-50834 RESTRICTED TO: -

CUSTOMER DRAWING SCALE: 5:1 SHEET: 1 OF 1 REV: K7