

## DP83848K-MAU-EK Purpose and Contents

The purpose of the DP83848K-MAU-EK (EK) is to provide National Semiconductor Corp.'s customers with a vehicle to quickly design and market systems containing the DP83848K chip. Customers are encouraged to copy EK components to expedite their design process.

The EK contains:

- DP83848K Media Attachment Unit (MAU)
- Printed copy of this User's Guide
- DP83848K MAU schematic
- DP83848K MAU licensing agreement

## Information and Specifications

This section contains specifications of the DP83848K MAU card, as well as a description of the card's interfaces, connectors, jumpers and the LED.

### Usage setup and configuration

- 3.3V power for the DP83848K MAU may be supplied via MII connector. If 3.3V is supplied from the MII connector, R32 needs to be stuffed (See schematics for details)
  - R33 and R34 should be stuffed for MDIO connection only if 3.3V MII is used
- External 3.3V power is supplied for the DP83848K MAU, if 5V is supplied from the MII connector, R32 should not be stuffed in this case (See schematics for details)
- To set Auto-MDIX ON, do not stuff resistor R30. To set Auto-MDIX OFF, stuff resistor R30 (See schematics for details)
- To configure LED in mode1 for link, do not stuff resistor R31. To configure LED for link and activity, stuff resistor R31 (See schematics for details)
- If the DP83848K MAU card is used for a PHYTERMini device – DP83848M/T/H, remove resistor R42 (See schematics for details)

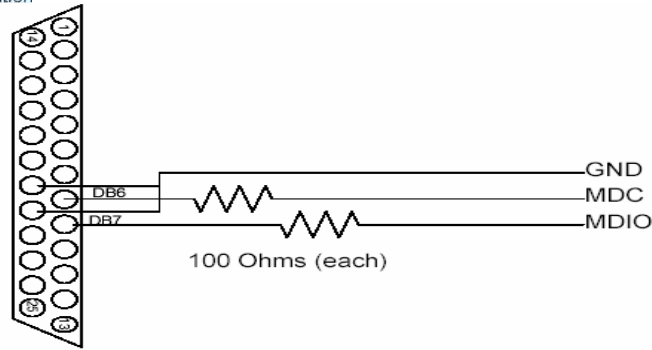
### Address settings

The PMD address for the DP83848K Physical Layer device is set by resistor R29.

- Default board setting for the PHY Address is 01 (Do not stuff resistor R29)
- The board may be set to PHY Address 03 by stuffing resistor R29.

### Table of jumpers

Jumper	Name	Function
J1	MIII Male Connector	MIII interface
J10	External power supply	External 3.3V power is supplied for the DP83848K MAU via jumper J10. R32 should not be stuffed in this case
J13	Pulse Jack	Integrated Magnetic RJ-45 connector
J15	MDIO connector	Connection to the parallel port using Integrity version 3.24 or higher (See Figure below for parallel port to MDIO/MDC connection)



**Integrity V3.24 Direct connect cable map**

## DP83848K MAU Specification

### Overview

The DP83848K MAU is an NSC demo platform to allow customer evaluation of our device. While the DP83848K has many advanced and enticing features, this specific board is designed to demonstrate *only* a subset of those. The features chosen are the ones that the mainstream customers will use. Thus, we have created an affordable, aesthetic platform to demonstrate the simplicity of designing in a National Semiconductor DP83848K.

### Target Environment

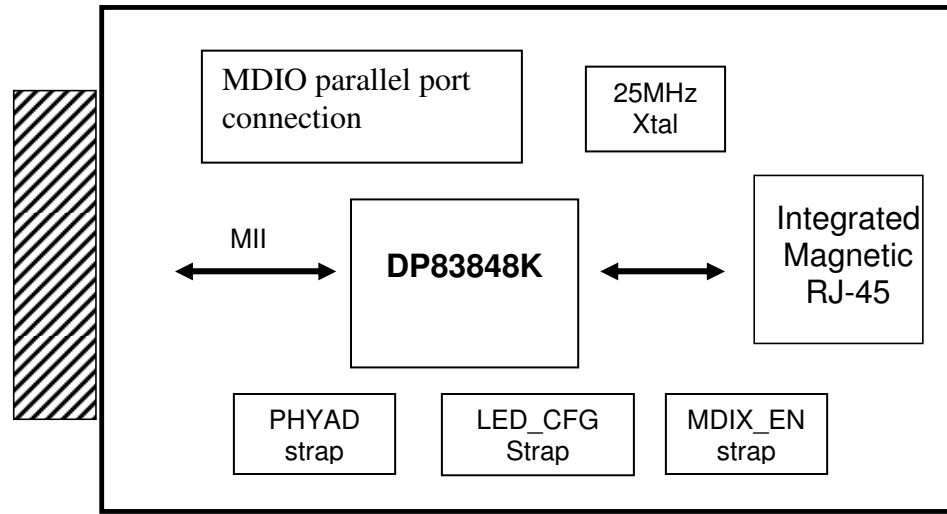
Any customer equipment that provides a standard IEEE 802.3, Clause 22 MII DTE interface; e.g. SmartBits/Netcom box.

### Features/Goals

The DP83848K MAU features:

- Integrated magnetics
- Minimum configuration requirements:
  - 2 PHY Addresses - 01h (default) or 03h
  - 2 LEDs – 1 LED for LINK and 1 LED for SPEED
  - Strap Options – MDIX\_EN, LED\_CFG
- Connections for the following interfaces:
  - MII Interface
  - Integrated transformer RJ-45
- Standard PCB layout considerations with regards to clock, MII, and TD/RD
- Double sided component placement
- On-board clock – Crystal
- On-board power supplied by MII connector, External 3.3V supplied via jumper
- Compact board and Low cost

## MAU Block Diagram



## PCB Physical Layout requirements / Considerations

- FR4 material
- Trace impedance will be ensured by design:
  - Trace symmetry within differential pair (+/- 0.5")
  - Differential impedance 100 ohms, +/- 5%
  - Adjacent differential pairs spacing > 2X distance within a differential pair, to minimize cross-talk and EMI
- Trace length matching between differential pairs not required
- Trace space will be 0.007"/0.008" minimum
- Uniform supply & ground plane
- Combination of through-hole and surface mount technology
- Target size 2.05" (height), 1.5" (length)
- 4 layers
- Silk screen on two sides

## MAU Interface requirements

- System interface will be via the MII connector, and MII header
- RJ-45 for network connection

## Software

- No device specific software is required for this board  
 National does provide the integrity utility; a diagnostic and configuration package at [www.national.com/appinfo/networks/ethernet\\_utility.html](http://www.national.com/appinfo/networks/ethernet_utility.html)

## Additional information

Updated versions of the included material, related material can be found by going to [ethernet.national.com](http://ethernet.national.com) or directly to design resources at <http://www.national.com/appinfo/networks/webench/dp83848.html>



**National Semiconductor Corporation**

2900 Semiconductor Drive  
Santa Clara, CA 95051, U.S.A.

Tel: 1-800-272-9959

Fax: 1-800-737-7018

Email: support@nsc.com

WWW: www.national.com

**National Semiconductor Europe**

Fax: (+49) 0-180-530 85 86

Email: europe.support@nsc.com

Deutsch Tel: (+49) 0-180-530 85 85

English Tel: (+49) 0-180-532 78 32

**National Semiconductor Asia Pacific**

**Customer Response Group**

Tel: 65-254-4466

Fax: 65-250-4466

Email: sea.support@nsc.com

**National Semiconductor Japan Ltd.**

Tel: 81-3-5620-6175

Fax: 81-3-5620-6179

Copyright © 2005 National Semiconductor Corporation.

National Semiconductor and the National Semiconductor logo are registered trademarks of National Semiconductor Corporation.  
All other brand or product names are trademarks of their respective holders.

## IMPORTANT NOTICE

Texas Instruments Incorporated and its subsidiaries (TI) reserve the right to make corrections, modifications, enhancements, improvements, and other changes to its products and services at any time and to discontinue any product or service without notice. Customers should obtain the latest relevant information before placing orders and should verify that such information is current and complete. All products are sold subject to TI's terms and conditions of sale supplied at the time of order acknowledgment.

TI warrants performance of its hardware products to the specifications applicable at the time of sale in accordance with TI's standard warranty. Testing and other quality control techniques are used to the extent TI deems necessary to support this warranty. Except where mandated by government requirements, testing of all parameters of each product is not necessarily performed.

TI assumes no liability for applications assistance or customer product design. Customers are responsible for their products and applications using TI components. To minimize the risks associated with customer products and applications, customers should provide adequate design and operating safeguards.

TI does not warrant or represent that any license, either express or implied, is granted under any TI patent right, copyright, mask work right, or other TI intellectual property right relating to any combination, machine, or process in which TI products or services are used. Information published by TI regarding third-party products or services does not constitute a license from TI to use such products or services or a warranty or endorsement thereof. Use of such information may require a license from a third party under the patents or other intellectual property of the third party, or a license from TI under the patents or other intellectual property of TI.

Reproduction of TI information in TI data books or data sheets is permissible only if reproduction is without alteration and is accompanied by all associated warranties, conditions, limitations, and notices. Reproduction of this information with alteration is an unfair and deceptive business practice. TI is not responsible or liable for such altered documentation. Information of third parties may be subject to additional restrictions.

Resale of TI products or services with statements different from or beyond the parameters stated by TI for that product or service voids all express and any implied warranties for the associated TI product or service and is an unfair and deceptive business practice. TI is not responsible or liable for any such statements.

TI products are not authorized for use in safety-critical applications (such as life support) where a failure of the TI product would reasonably be expected to cause severe personal injury or death, unless officers of the parties have executed an agreement specifically governing such use. Buyers represent that they have all necessary expertise in the safety and regulatory ramifications of their applications, and acknowledge and agree that they are solely responsible for all legal, regulatory and safety-related requirements concerning their products and any use of TI products in such safety-critical applications, notwithstanding any applications-related information or support that may be provided by TI. Further, Buyers must fully indemnify TI and its representatives against any damages arising out of the use of TI products in such safety-critical applications.

TI products are neither designed nor intended for use in military/aerospace applications or environments unless the TI products are specifically designated by TI as military-grade or "enhanced plastic." Only products designated by TI as military-grade meet military specifications. Buyers acknowledge and agree that any such use of TI products which TI has not designated as military-grade is solely at the Buyer's risk, and that they are solely responsible for compliance with all legal and regulatory requirements in connection with such use.

TI products are neither designed nor intended for use in automotive applications or environments unless the specific TI products are designated by TI as compliant with ISO/TS 16949 requirements. Buyers acknowledge and agree that, if they use any non-designated products in automotive applications, TI will not be responsible for any failure to meet such requirements.

Following are URLs where you can obtain information on other Texas Instruments products and application solutions:

### Products

Audio	<a href="http://www.ti.com/audio">www.ti.com/audio</a>
Amplifiers	<a href="http://amplifier.ti.com">amplifier.ti.com</a>
Data Converters	<a href="http://dataconverter.ti.com">dataconverter.ti.com</a>
DLP® Products	<a href="http://www.dlp.com">www.dlp.com</a>
DSP	<a href="http://dsp.ti.com">dsp.ti.com</a>
Clocks and Timers	<a href="http://www.ti.com/clocks">www.ti.com/clocks</a>
Interface	<a href="http://interface.ti.com">interface.ti.com</a>
Logic	<a href="http://logic.ti.com">logic.ti.com</a>
Power Mgmt	<a href="http://power.ti.com">power.ti.com</a>
Microcontrollers	<a href="http://microcontroller.ti.com">microcontroller.ti.com</a>
RFID	<a href="http://www.ti-rfid.com">www.ti-rfid.com</a>
OMAP Mobile Processors	<a href="http://www.ti.com/omap">www.ti.com/omap</a>
Wireless Connectivity	<a href="http://www.ti.com/wirelessconnectivity">www.ti.com/wirelessconnectivity</a>

### Applications

Automotive and Transportation	<a href="http://www.ti.com/automotive">www.ti.com/automotive</a>
Communications and Telecom	<a href="http://www.ti.com/communications">www.ti.com/communications</a>
Computers and Peripherals	<a href="http://www.ti.com/computers">www.ti.com/computers</a>
Consumer Electronics	<a href="http://www.ti.com/consumer-apps">www.ti.com/consumer-apps</a>
Energy and Lighting	<a href="http://www.ti.com/energy">www.ti.com/energy</a>
Industrial	<a href="http://www.ti.com/industrial">www.ti.com/industrial</a>
Medical	<a href="http://www.ti.com/medical">www.ti.com/medical</a>
Security	<a href="http://www.ti.com/security">www.ti.com/security</a>
Space, Avionics and Defense	<a href="http://www.ti.com/space-avionics-defense">www.ti.com/space-avionics-defense</a>
Video and Imaging	<a href="http://www.ti.com/video">www.ti.com/video</a>

TI E2E Community Home Page

[e2e.ti.com](http://e2e.ti.com)

Mailing Address: Texas Instruments, Post Office Box 655303, Dallas, Texas 75265  
Copyright © 2012, Texas Instruments Incorporated