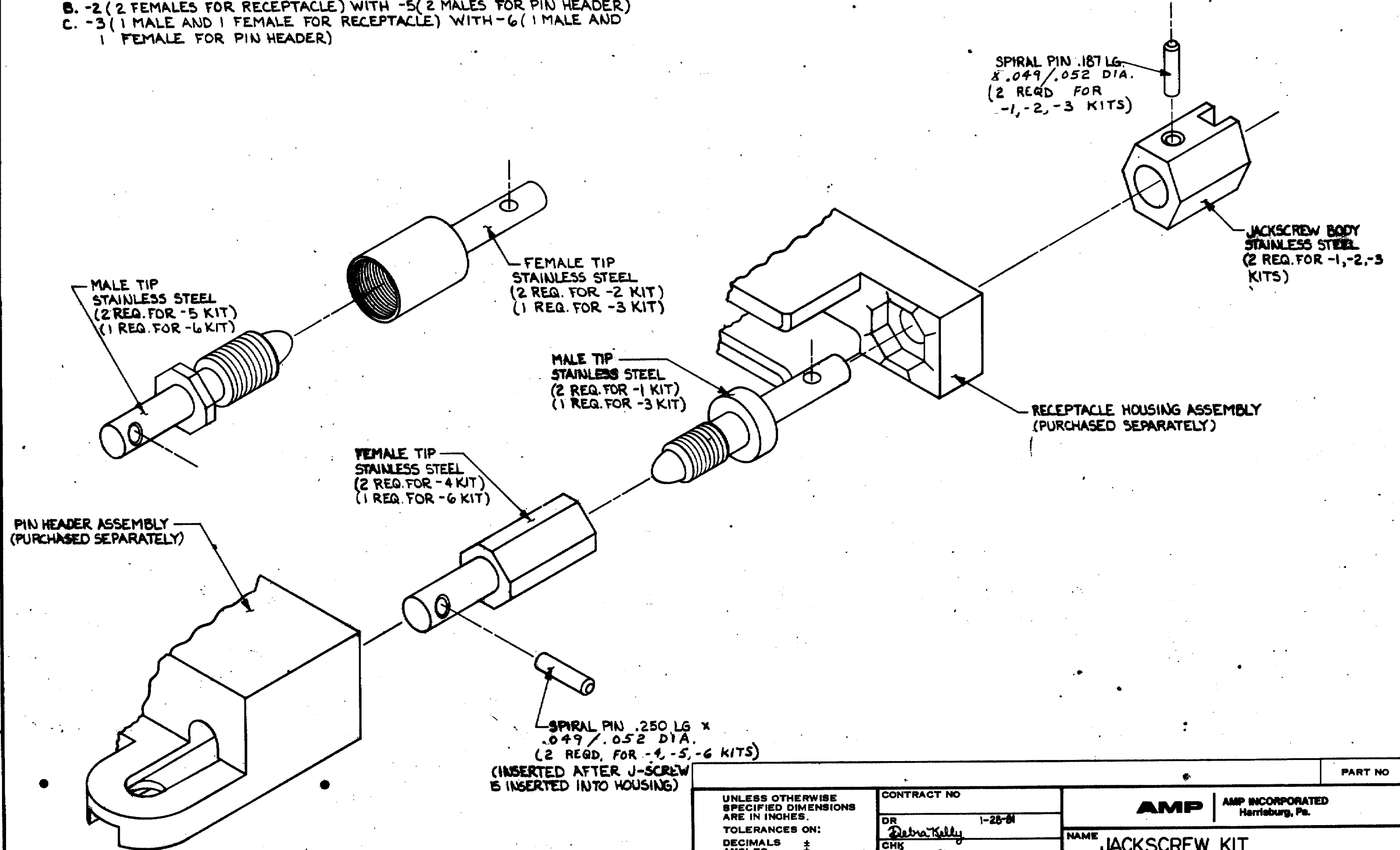


REVISIONS						
P	F	ZONE	LTR	DESCRIPTION	DATE	APPROVED
				WAS 5088-690	3-10-81	
				REVISED 7547	9-3-81	
				REV. PER ECN-AB-0283	6-29-84	EAM

DRAWING MADE IN THIRD ANGLE PROJECTION

© COPYRIGHT 19 BY AMP INCORPORATED, HARRISBURG, PA. ALL INTERNATIONAL RIGHTS RESERVED. AMP INCORPORATED PRODUCTS COVERED BY U. S. AND FOREIGN PATENTS AND/OR PATENTS PENDING.

- I. SUGGESTED USAGE KITS-
- A. -1 (2 MALES FOR RECEPTACLE) WITH -4 (2 FEMALES FOR PIN HEADER)
 - B. -2 (2 FEMALES FOR RECEPTACLE) WITH -5 (2 MALES FOR PIN HEADER)
 - C. -3 (1 MALE AND 1 FEMALE FOR RECEPTACLE) WITH -6 (1 MALE AND 1 FEMALE FOR PIN HEADER)



UNLESS OTHERWISE SPECIFIED DIMENSIONS ARE IN INCHES. TOLERANCES ON: DECIMALS ± ANGLES ±		CONTRACT NO		AMP INCORPORATED Harrisburg, Pa.	
MATERIAL		DR <i>Debra Kelly</i> 1-28-81		NAME JACKSCREW KIT FOR BOX CONNECTOR CABLE USAGE	
FINISH		CHK <i>Ray W. Durbin</i>		SIZE CODE IDENT NO DRAWING NO	
		APPD <i>Ray W. Durbin</i>		C 00779 531993	
		APPD <i>E. Parsons</i> 3-12-81		SCALE 5x1 SHEET 106f	
		DSGN APPD			
		OTHER APPD			