

推奨基板寸法
RECOMMENDED PCB PATTERN LAYOUT
(SCALE:2-1)

注) NOTES

1.材質 MATERIAL
ハウジング: ガラス入りPPS、茶色、UL94V-0
HOUSING: G.F.PPS, BROWN, UL94V-0
ターミナル: 銅合金 (t=0.2)
TERMINAL: COPPER ALLOY
フィッティングネイル: 銅合金 (t=0.2)
FITTING NAIL: COPPER ALLOY
吸着カバー: ステンレス (t=0.2)
VACUUM COVER: STAINLESS STEEL

2.メッキ仕様 PLATING

ターミナル TERMINAL
接点部: 金メッキ 0.25μmMIN.
CONTACT AREA: GOLD 0.25μmMIN.
半田付け部: 錫メッキ 1.0μmMIN.
SOLDER TAIL AREA: TIN 1.0μmMIN.
下地メッキ: ニッケルメッキ 1.5μmMIN.
UNDER-PLATING: NICKEL 1.5μmMIN.

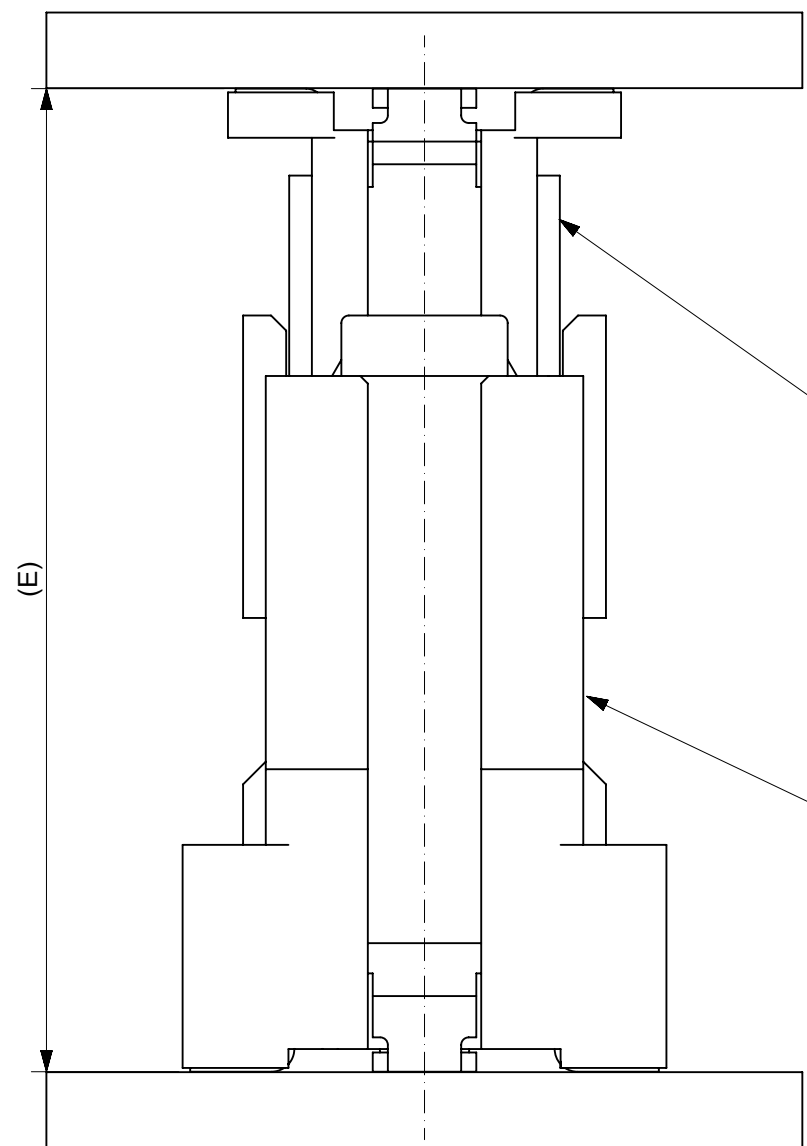
フィッティングネイル FITTING NAIL
錫メッキ 1.0μmMIN.
TIN 1.0μmMIN.
下地メッキ: ニッケルメッキ 1.0μmMIN.
UNDER-PLATING: NICKEL 1.0μmMIN.

3.テールのバラツキ寸法 TAIL COPLANARITY
テール平坦度は、0.1MAX.とする。
TAIL COPLANARITY TO BE 0.1MAX.

4.本製品は 53649-***2の鉛フリー品である。
THIS PRODUCT IS LEAD FREE OF 53649-***2

無し WITHOUT	47.42	46.32	43.815	51.32	53649-1474	140
	34.72	33.62	31.115	38.62	53649-1074	100
	28.37	27.27	24.765	32.27	53649-0874	80
有り WITH	22.02	20.92	18.415	25.92	53649-0674	60
	15.67	14.57	12.065	19.57	53649-0474	40
	12.5	11.4	8.89	16.4	53649-0374	30
ハウジングロック HSG LOCK	D	C	B	A	エンボス梱包 EMBOSSED PACKAGE オーダー番号 ORDER NO.	極数 CKT

GENERAL TOLERANCES (UNLESS SPECIFIED)		THIS DRAWING CONTAINS INFORMATION THAT IS PROPRIETARY TO MOLEX ELECTRONIC TECHNOLOGIES, LLC AND SHOULD NOT BE USED WITHOUT WRITTEN PERMISSION	
10 UNDER	± 0.2	DIMENSION UNITS	SCALE
10 OVER 30 UNDER	± 0.25	mm	1:1
30 OVER	± 0.3	CURRENT REV DESC:	
ANGULAR ± 3 °		GENERAL TOLERANCES (UNLESS SPECIFIED)	
DRAFT WHERE APPLICABLE MUST REMAIN WITHIN DIMENSIONS		ANGULAR TOL ± 30 °	
		4 PLACES ± 0.2	
		3 PLACES ± 0.25	
		2 PLACES ± 0.3	
		1 PLACE ±	
		0 PLACES ±	
		DRAFT WHERE APPLICABLE MUST REMAIN WITHIN DIMENSIONS	
		THIRD ANGLE PROJECTION	
		DRAWING	
		SERIES	
		MATERIAL NUMBER	
		CUSTOMER	
		SHEET NUMBER	
		EC NO: 647727	
		DRWN: AHMADI2 2020/10/26	
		CHK'D: HSHIMOYAMA 2020/10/26	
		APPR: SHOSHIKAWA 2020/10/26	
		INITIAL REVISION:	
		DRWN: MNABEI 2004/03/04	
		APPR: MSASAO 2004/03/08	
		DOCUMENT NUMBER	
		DOC TYPE	
		DOC PART	
		REVISION	
		SD-53649-004	
		PSD 001 J	
		GENERAL MARKET	
		1 OF 2	



55091 series
53625 series
53647 series
53649 series
53627 series
Plug

52885 series
52901 series
Receptacle

嵌合高さ一覧 Stacking Height variation			
	6	52885 series	55091 series
	7		53625 series
	8		53647 series
○	9		53649 series
	10		53627 series
	12	52901 series	55091 series
	13		53625 series
	14		53647 series
○	15		53649 series
	16		53627 series
本図製品該当高さ Height Application	嵌合高さ E Stacking Height	リセプタクル Receptacle	プラグ Plug

GENERAL TOLERANCES (UNLESS SPECIFIED)		THIS DRAWING CONTAINS INFORMATION THAT IS PROPRIETARY TO MOLEX ELECTRONIC TECHNOLOGIES, LLC AND SHOULD NOT BE USED WITHOUT WRITTEN PERMISSION	
10 UNDER	± 0.2	DIMENSION UNITS	SCALE
10 OVER 30 UNDER	± 0.25	mm	1:1
30 OVER	± 0.3	CURRENT REV DESC:	
ANGULAR	± 3 °	EC NO: 647727	
DRAFT WHERE APPLICABLE MUST REMAIN WITHIN DIMENSIONS		DRWN: AHMADI2 2020/10/26	
		CHK'D: HSHIMUYAMA 2020/10/26	
		APPR: SHOSHIKAWA 2020/10/26	
		INITIAL REVISION:	
		DRWN: MNABEI 2004/03/04	
		APPR: MSASAO 2004/03/08	
		THIRD ANGLE PROJECTION	
		DRAWING	
		SERIES	
		MATERIAL NUMBER	
		CUSTOMER	
		SHEET NUMBER	
		A3-SIZE 53649	
		SD-53649-004	
		GENERAL MARKET	
		2 OF 2	

molex

0.635 B/B CONN.
PLUG HS'G COVER ASS'Y -LEAD FREE-

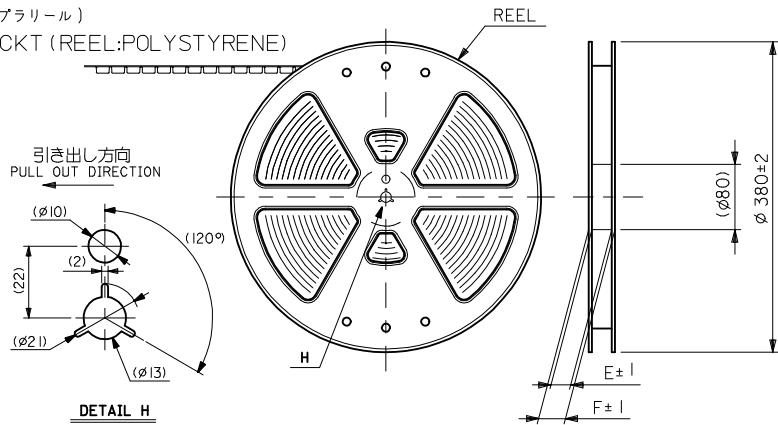
PRODUCT CUSTOMER DRAWING

DOCUMENT NUMBER	DOC TYPE	DOC PART	REVISION
SD-53649-004	PSD	001	J

DOCUMENT STATUS	P1	RELEASE DATE	2020/10/26 06:23:15
-----------------	----	--------------	---------------------

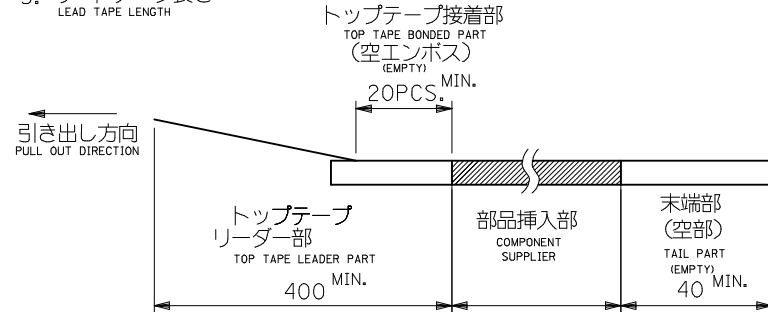
FORMAT: master-b-prod-A3
REVISION: J
DATE: 2020/1/14

140極に対応(ブラリール)
FOR 140 CKT (REEL:POLYSTYRENE)

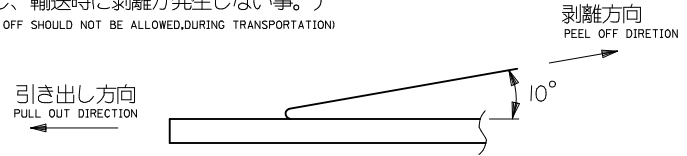


注)
NOTES

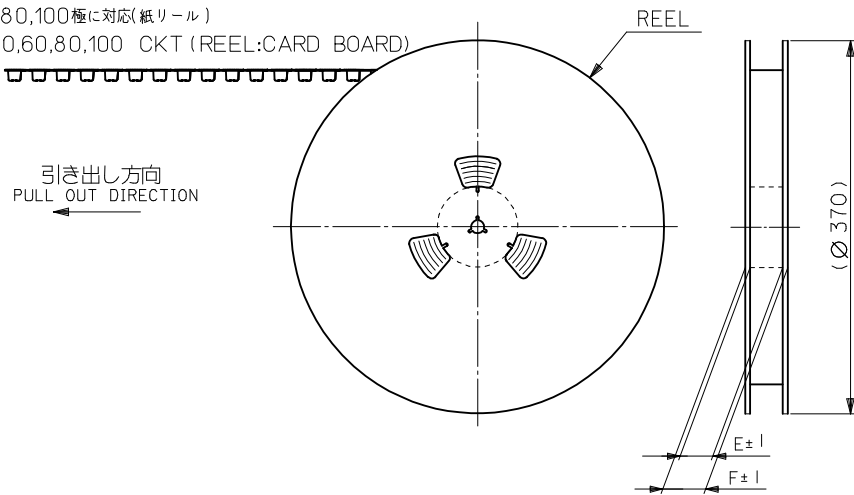
1. 製品番号 53649-***72 の詳細寸法については、SD-53649-004 を参照下さい。
IN THE PACKAGE , PART NO. 53649-***72 DETAILED DIMENSIONS , SEE SD-53649-004
2. 梱包数量 : 760 個/リール
NUMBER OF CONNECTORS : 760 PCS/REEL
3. リードテープ長さ
LEAD TAPE LENGTH



4. トップテープの剥離強度 (剥離方向は下図参照)
PEELING OFF FORCE OF TOP TAPE (PEELING DIRECTION AS SHOWN IN FOLLOWING FIG.)
0.1 - 1.3 N (30,40,60,80,100CKT)
0.1 - 1.5 N (140CKT)
尚、本規格値は、出荷時に適用。
THIS REQUIREMENT SHOULD BE APPLIED AT SHIPMENT
(但し、輸送時に剥離が発生しない事。)
(PEEL OFF SHOULD NOT BE ALLOWED,DURING TRANSPORTATION)

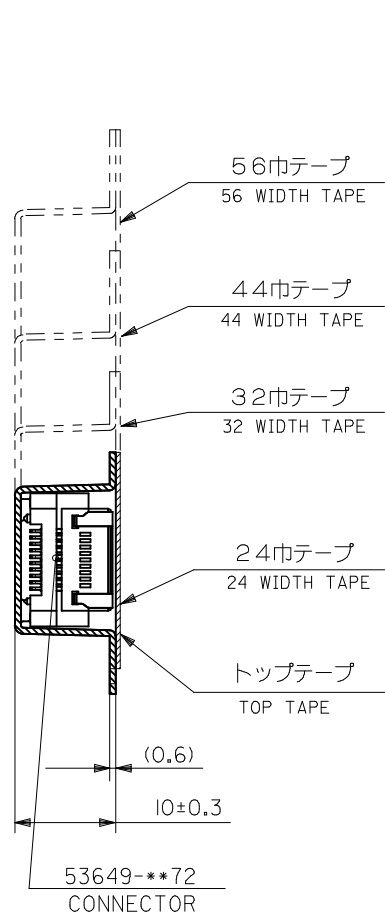


30,40,60,80,100極に対応(紙リール)
FOR 30,40,60,80,100 CKT (REEL:CARD BOARD)

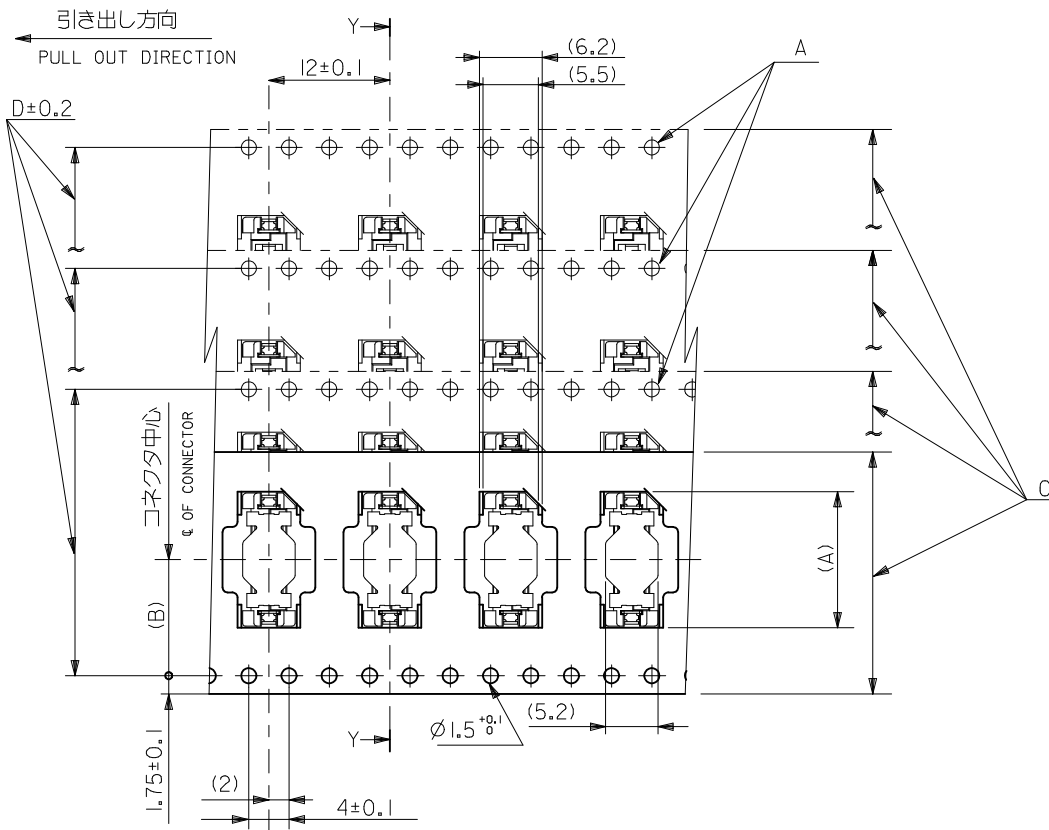


5. 材料
MATERIAL
キャリアテープ : ポリプロピレン (PP)
CARRIER TAPE : POLYPROPYLENE (PP)
トップテープ : PET, PE, PEF
TOP TAPE : PET, PE, P-F
リール : 紙 (30,40,60,80,100極) ポリスチレン (140極)
REEL : CARDBOARD(FOR 30,40,60,80,100CKT) POLYSTYRENE(140CKT)
6. 本製品は 53649-***4 の鉛フリー品である。
THIS PRODUCT IS LEAD FREE OF 53649-***4

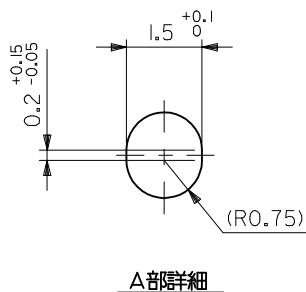
REVISED EC NO.: J2013-1013 DRW/K: TOYODA CHKD: TASAKAWA APPR: MSASAO	DESCRIPTION 2013/03/14 2013/03/15 2013/03/27	GENERAL TOLERANCES (UNLESS SPECIFIED)		DIMENSION STYLE MM ONLY		SCALE ---	DESIGN UNITS METRIC	THIRD ANGLE PROJECTION	
		10 UNDER	± ---	DRAWN BY M. NABEI	DATE '04/02/25	TITLE EMBOSSED TAPE PACKAGE FOR 53649-***72 -LEAD FREE-			
		10 OVER 30 UNDER	± ---	CHECKED BY K. TOJO	DATE '04/02/25				
		30 OVER	± ---	APPROVED BY M. SASAO	DATE '04/02/25				
REV	DESCRIPTION	ANGULAR	± --- °	MATERIAL NO.	DOCUMENT NO.	SHEET NO.			
		DRAFT WHERE APPLICABLE MUST REMAIN WITHIN DIMENSIONS		SEE CHART		SD-53649-005 1 OF 2			
		SIZE	A3	THIS DRAWING CONTAINS INFORMATION THAT IS PROPRIETARY TO MOLEX INCORPORATED AND SHOULD NOT BE USED WITHOUT WRITTEN PERMISSION					



断面 Y-Y
SECTION Y-Y



累積ピッチ : 40±0.2
ACCUMULATIVE
PITCH : 40±0.2



78.1	73.5	68.4	72 ^{+0.3}	34.2	51.6	53649-1474	140	
61.4	57.4	52.4	56 ^{+0.3}	26.2	38.9	53649-1074	100	
49.4	45.4	40.4	44 ^{+0.3}	20.2	32.6	53649-0874	80	
37.4	33.4	28.4	32 ^{+0.3}	14.2	26.2	53649-0674	60	
29.4	25.4	#	24 ^{+0.3}	11.5	19.9	53649-0474	40	
F	E	D	C	キャリアテープ幅 CARRIER TAPE WIDTH	(B)	(A)	MATERIAL NO.	極数 NO. OF CXTS.

MODEL NO. 53649-**74

REVISED EC NO: J2013-1013 DRW:KTOYODA 2013/03/14 CHK:D.TASAKAWA 2013/03/14 APPR:MSASAO 2013/03/27	GENERAL TOLERANCES (UNLESS SPECIFIED)		DIMENSION STYLE MM ONLY		SCALE ---	DESIGN UNITS METRIC		THIRD ANGLE PROJECTION	
	10 UNDER	± ---	DRAWN BY M. NABEI	DATE '04/02/25	TITLE EMBOSSED TAPE PACKAGE FOR 53649-**72 -LEAD FREE-				
	10 OVER 30 UNDER	± ---	CHECKED BY K. TOJO	DATE '04/02/25					
	30 OVER	± ---	APPROVED BY M. SASAO	DATE '04/02/25					
ANGULAR	± --- °	MATERIAL NO.		DOCUMENT NO.		SHEET NO.			
DRAFT WHERE APPLICABLE MUST REMAIN WITHIN DIMENSIONS		SEE CHART		SD-53649-005		2 OF 2			
SIZE A3 THIS DRAWING CONTAINS INFORMATION THAT IS PROPRIETARY TO MOLEX INCORPORATED AND SHOULD NOT BE USED WITHOUT WRITTEN PERMISSION									