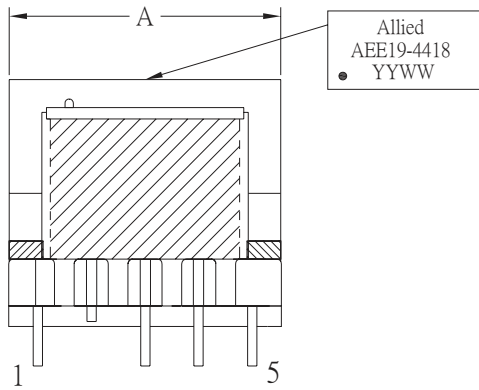




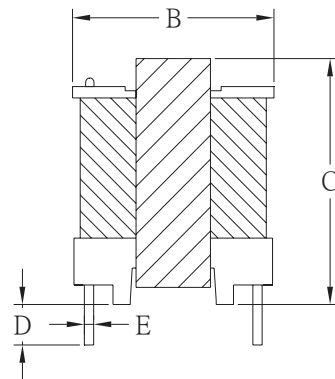
EE19 Transformer

AEE19-4418

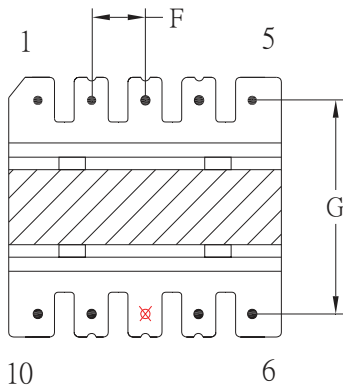
- EE19 Through Hole Design
- 2500V Hi-Pot
- UL94V-0 Rated Materials
- Industrial Operating Temperature: -40°C To 85°C



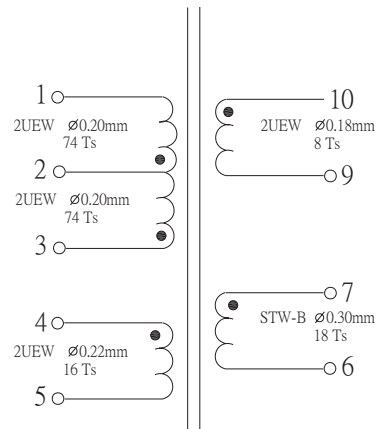
FRONT VIEW



SIDE VIEW



BOTTOM VIEW



SCHEMATICS

UNIT: mm NOTE: REMOVE PIN8 ;PIN 2 CUT OFF 2/3

A	B	C	D	E	F	G
20.50	16.90	18.00	4.50	Φ 0.70	3.90	13.0
MAX	MAX	MAX	\pm 0.50	\pm 0.10	\pm 0.50	\pm 0.50



TEST CONDITION : TEMPERATURE AT 24°C				
NO.	PARAMETER	TERMINAL	SPECIFICATION	TEST INSTRUMENTS
1	INDUCTANCE AT 10KHz,0.1 V	L(3--1)	4.10mH ±10%	DU7200
2	LEAKAGE IND AT 100KHz,1.0 V	LK(3--1)	27.0uH MAX (SHORT 10, 9, 7, 6, 5, 4)	DU7200
3	DC RESISTANCE	R(3--1)	4.0 Ω MAX	DU7200
		R(4--5)	0.31Ω MAX	
		R(7--6)	0.23Ω MAX	
		R(10--9)	0.28Ω MAX	
4	HI-POT AT 50/60Hz	CORE TO 6, 7	3000V/2SECONDS MINIMUM	YH-650 INSULATION TESTER
		1, 3, 4, 5, 9, 10 TO 6, 7	3000V/2SECONDS MINIMUM	
		CORE TO 1, 3, 4, 5, 9, 10	1500V/2SECONDS MINIMUM	
		1, 3 TO 4, 5, 9, 10	1500V/2SECONDS MINIMUM	
		4, 5 TO 9, 10	1500V/2SECONDS MINIMUM	
5	TURNS RATIO AT 10KHz,1.0V	(3-1):(4-5)	9.250 ± 0.5%	DU7200
		(3-1):(7-6)	8.222 ± 0.5%	
		(3-1):(10-9)	18.500 ± 0.5%	