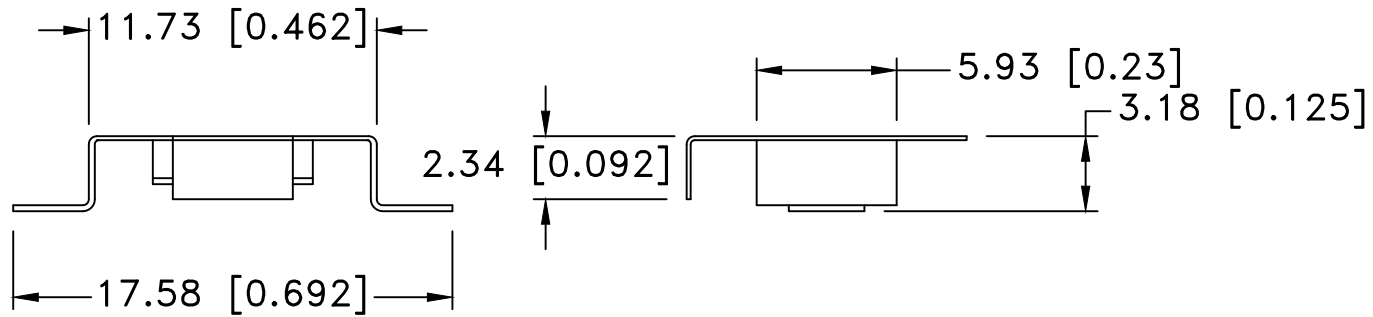
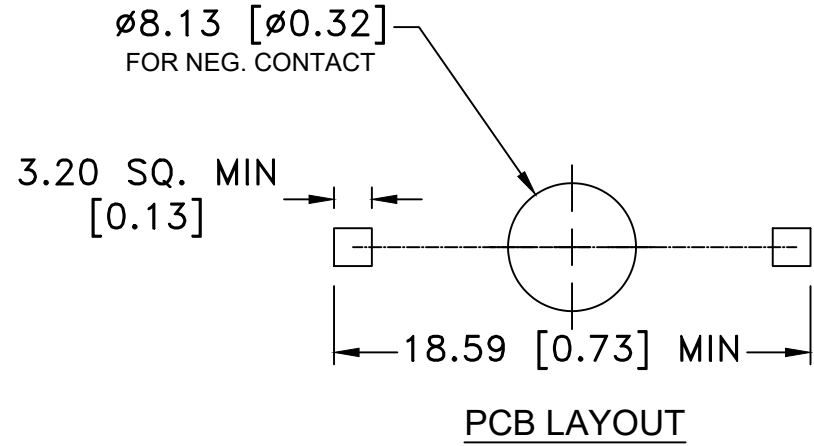
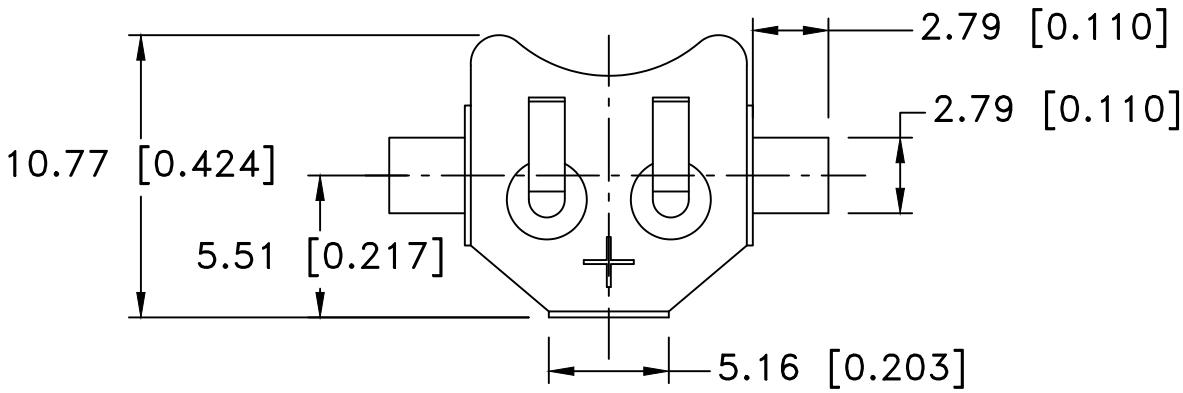



Date	SYM	REVISION RECORD	AUTH	DR.	CK.
3/07/14	D	ADDED BATTERY NUMBERS	T.B.	B.S.	
10/31/19	E	ADDED WEIGHT OF THE PART	T.B.	B.S.	



NOTES:

- 1. MATERIAL:  
0.25mm (0.010") PHOSPHOR BRONZE, NICKEL PLATED.  
APPROXIMATE WEIGHT: 0.33g  
ROHS COMPLIANT

Tolerance (Except as noted)	 <b>Memory Protection Devices, Inc</b> 200 Broad Hollow Road, Farmingdale, New York 11735		
decimal ±.5 (.020)		Scale	Drawn By B.S.
Fractional ± .8 (.030)	Title CR1025 COIN CELL RETAINER		
Angular ± 3°	Date 10/31/19	Drawing Number BK-870	
Approved By T.B.			

CELL SIZE	RETAINS BATTERY NUMBERS
10mm	BR1025, CR1025, MS920E