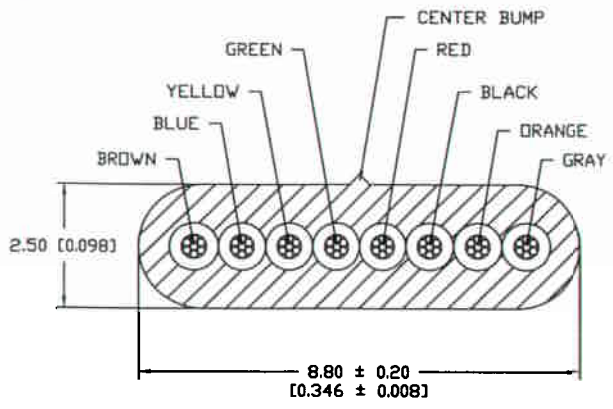
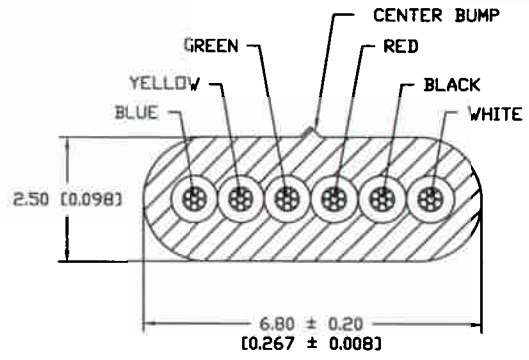


THESE DRAWINGS AND SPECIFICATIONS ARE THE SOLE PROPERTY OF I/O INTERCONNECT INC., U.S.A. AND SHALL NOT BE REPRODUCED, COPIED, OR USED IN ANY MANNER WITHOUT THE PRIOR WRITTEN CONSENT OF I/O INTERCONNECT INC. OR ITS AFFILIATED SUBSIDIARIES.

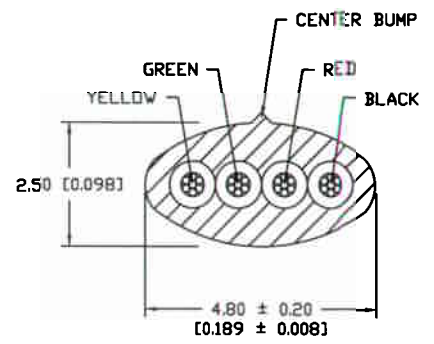
DWG. NO.	ZONE	REV.	DESCRIPTION	DATE	APPROVED
X10-0X1		Q	ECN C682	07/24/02	P.S.
		R	ADD NOTE & CHANGE P/N TO REFLECT ROHS COMPLIANT, CHANGE PACKAGING SPEC. PER ACTUAL DATA PER ECN D822	04/14/05	M.G.



**8 CONDUCTOR CABLE**



**6 CONDUCTOR CABLE**



**4 CONDUCTOR CABLE**

NOTES: UNLESS OTHERWISE SPECIFIED.

**1.0 MATERIAL AND SPECIFICATIONS**

1.01 CONDUCTORS: 26 AWG (12/0.12 mm) STRANDED BARE COPPER.

1.02 INSULATION: POLYPROPYLENE

1.03 COLOR: PER CALLOUT

1.04 PACKAGING: (SEE PAGE 2)

**2.0 ELECTRICAL CHARACTERISTICS**

2.01 TEMPERATURE & VOLTAGE RATING: 80°C 30 V

2.02 CONDUCTORS RESISTANCE: 148 OHMS/KM MAX. AT 20°C

2.03 INSULATION RESISTANCE: 100 MEGAOHMS/KM MIN. AT 20°C

2.04 CAPACITANCE: 15 PF/FT (MAX)

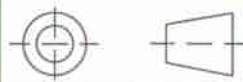
2.05 DIELECTRIC TEST: AC-500V PER 1 MINUTE

3.0 PLACE BAR CODE LABEL ON THE OUTSIDE OF EACH SHIPPING BOX LABEL DETAIL SEE DWG 090-990-001. FOR CUSTOMER CODE 4DGK ONLY.

4.0 PART TO BE ROHS COMPLAINT.

GLF-121-410-001	4	SILVER SATIN	[0.551 ± 0.039] 14.00 ± 1.00
GLF-121-410-011	4	BLACK	[0.551 ± 0.039] 14.00 ± 1.00
GLF-121-410-021	4	WHITE	[0.551 ± 0.039] 14.00 ± 1.00
GLF-121-610-001	6	SILVER SATIN	[0.551 ± 0.039] 14.00 ± 1.00
GLF-121-610-011	6	BLACK	[0.551 ± 0.039] 14.00 ± 1.00
GLF-121-610-021	6	WHITE	[0.551 ± 0.039] 14.00 ± 1.00
GLF-121-810-001	8	SILVER SATIN	[0.748 ± 0.039] 19.00 ± 1.00
GLF-121-810-011	8	BLACK	[0.748 ± 0.039] 19.00 ± 1.00
GLF-121-810-021	8	WHITE	[0.748 ± 0.039] 19.00 ± 1.00
I/O INTERCONNECT PART NUMBER	NUMBER OF CONDUCTORS	COLOR	Ø 'A'

THIRD ANGLE PROJECTION



UNLESS OTHERWISE NOTED:  
1) DIMENSIONS ARE IN MILLIMETER [INCHES]  
2) TOLERANCES:  
X.X ± 10.0 [0.39]  
X.XX ± 0.25 [0.01]

**I/O INTERCONNECT**  
SANTA ANA, CALIFORNIA

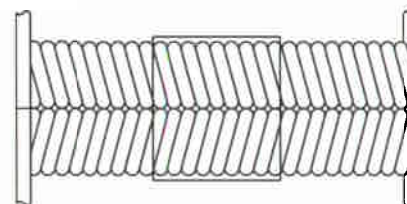
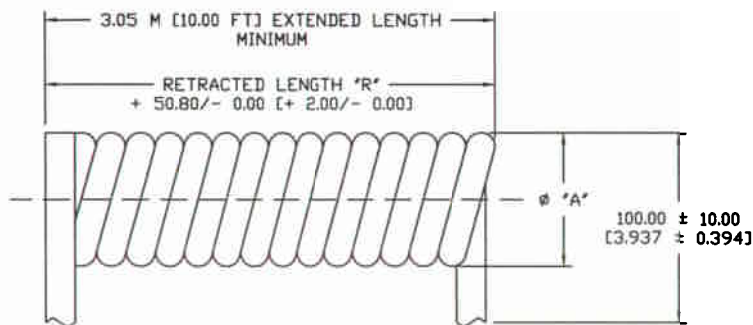
TITLE: 26 AWG (12/0.12 mm) BARE COPPER, 10.00 FT EXTENDED, NON-UL, UNSHIELDED, MODULAR CABLE

DR. BY: JERRY SUN 04/14/05  
DR. CHECKER:  
REV. R

PART NO: GLF-121-X10-0X1  
DWG NO: GLF-121-X10-0X1  
CUSTOMER: I/O INTERCONNECT  
SCALE: NONE SHEET 1 OF 2

THESE DRAWINGS AND SPECIFICATIONS ARE THE SOLE PROPERTY OF I/O INTERCONNECT INC., U.S.A. AND SHALL NOT BE REPRODUCED, COPIED, OR USED IN ANY MANNER WITHOUT THE PRIOR WRITTEN CONSENT OF I/O INTERCONNECT INC. OR ITS AFFILIATED SUBSIDIARIES.

DWG. NO.	ZONE	REV.	DESCRIPTION	DATE	APPROVED
X10-0X1		Q	ECN C6B2	07/24/02	P.S.
		R	ADD NOTE & CHANGE P/N TO REFLECT ROHS COMPLIANT, CHANGE PACKAGING SPEC. PER ACTUAL DATA PER ECN D822	04/14/05	M.G.



**BUNDLE SPECIFICATION**

NOTES: UNLESS OTHERWISE SPECIFIED.

1.0 PACKAGING SPECIFICATION

- 1.01 USE CLEAR TAPE TO BUNDLE 25 CABLES TOGETHER AT THE MID SECTION.
- 1.02 PLACE PLASTIC BAG IN SHIPPING BOX, SEE TAB BLOCK FOR PACKAGING QUANTITY PER SHIPPING BOX. CLOSE PLASTIC BAG AND SEAL BOX ALONG 3 SURFACES WITH TAPE.
- 1.03 DIMENSION OF OUTSIDE SHIPPING BOX IS USED FOR REFERENCE ONLY.

CONDUCTORS NUMBER OF	MILLIMETERS	INCHES	DIMENSION MAX. OUTSIDE SHIPPING BOX	PACKAGING QUANTITY PER SHIPPING BOX
4	762.00	[30.000]	L=13.00' X W=35.00' X H=9.00'	10 BUNDLE, 250 PCS
6	812.80	[32.000]	L=13.00' X W=35.00' X H=9.00'	10 BUNDLE, 250 PCS
8	1066.80	[42.000]	L=13.00' X W=45.00' X H=9.00'	5 BUNDLE, 125 PCS

TABULATION BLOCK

THIRD ANGLE PROJECTION		<b>I/O INTERCONNECT</b> SANTA ANA, CALIFORNIA	
	DR. BY: JERRY BIR DR. CHECKER: REV.	TITLE: 26 AWG (12/0.12 mm) BARE COPPER, 10.00 FT EXTENDED, NON-UL, UNSHIELDED, MODULAR CABLE PART NO: GLF-121-X10-0X1 DRG NO: GLF-121-X10-0X1 CUSTOMER: I/O INTERCONNECT	REV. R
UNLESS OTHERWISE NOTED: 1) DIMENSIONS ARE IN MILLIMETER (INCHES) 2) TOLERANCES: X.X ± 10.0 [0.39] X.XX ± 0.25 [0.01]		DATE/SCALE: SA:	SCALE: NONE SHEET 2 OF 2