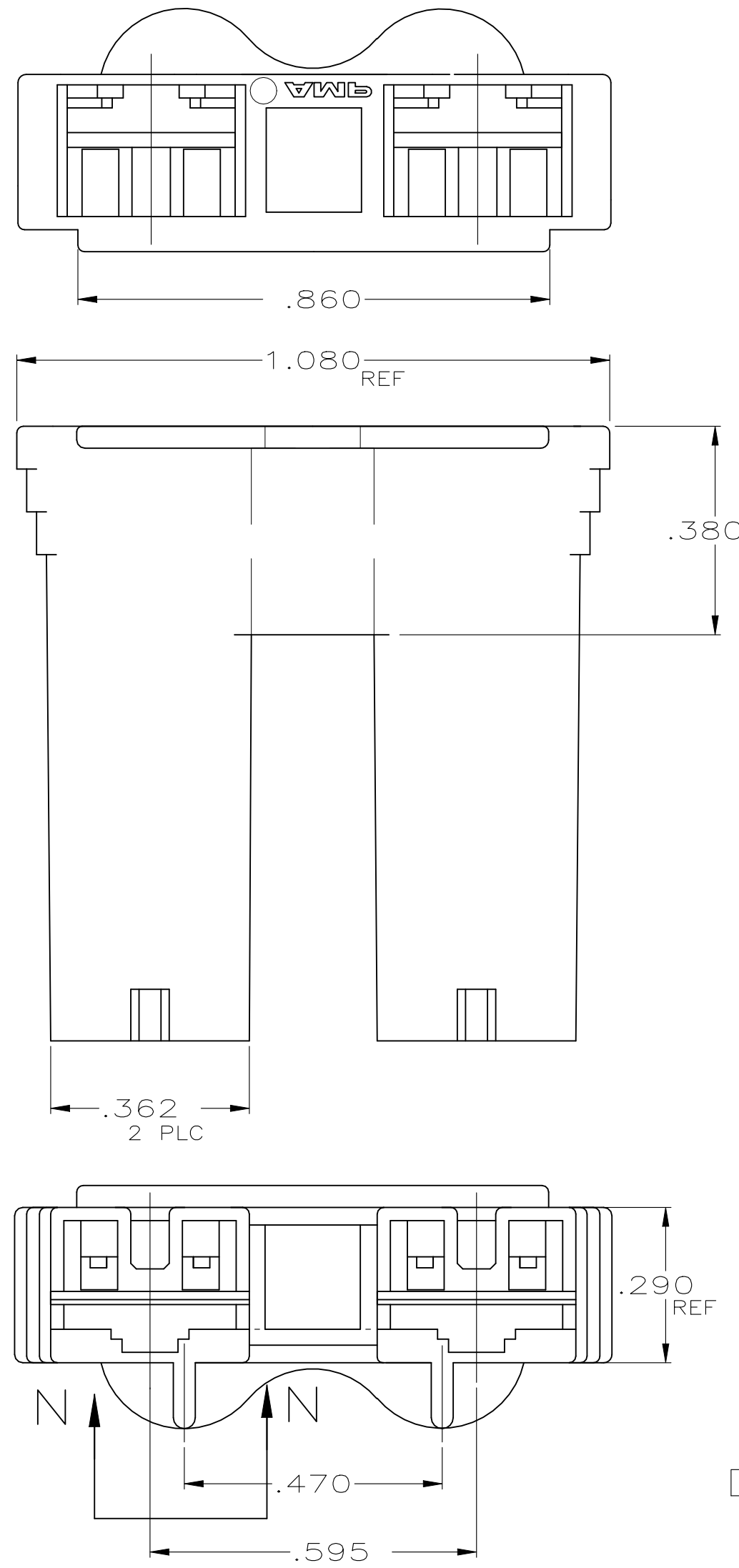
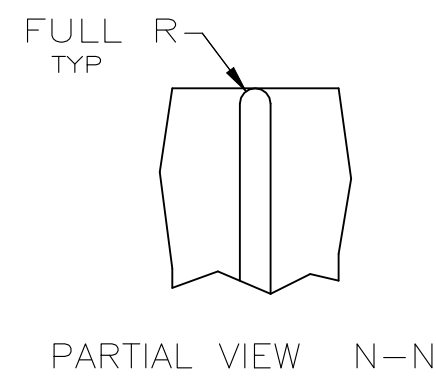
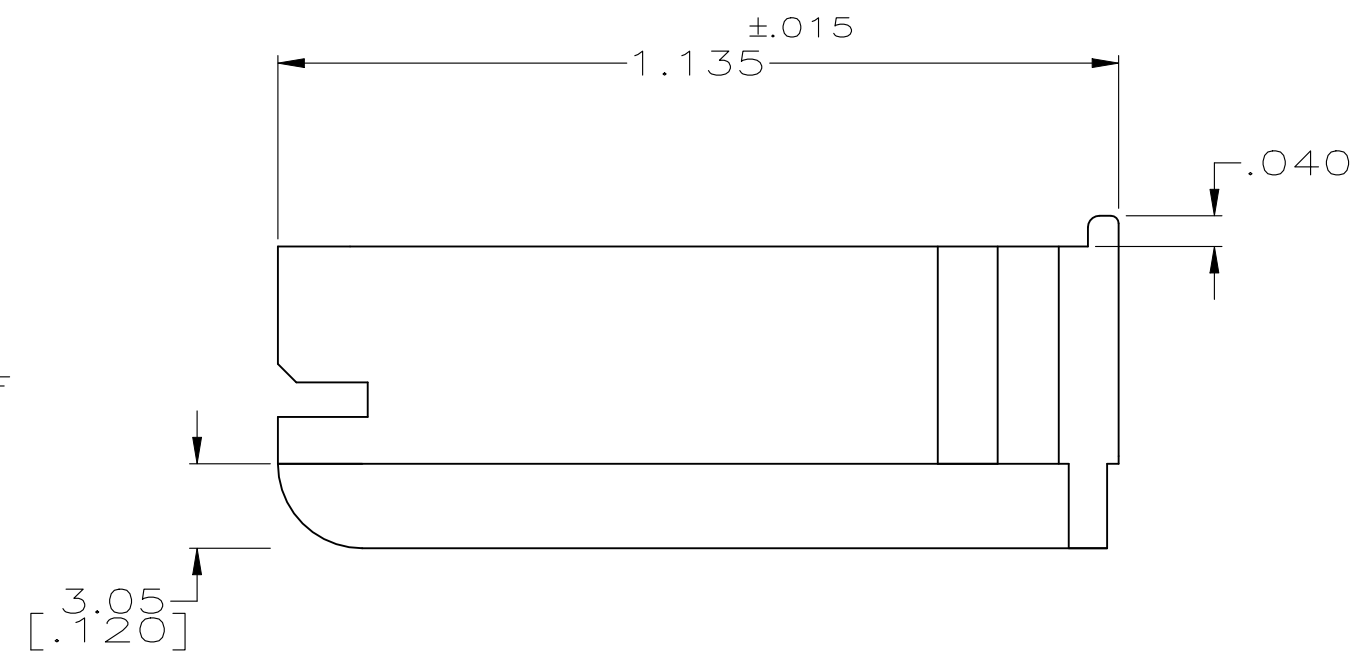


REVISIONS				
P	LTR	DESCRIPTION	DATE	APVD
V		REVISED PER ECR-23-173364	25MAY2023	SS AF



- 1 GLOW WIRE APPROVED; CONTACT TE ENGINEERING FOR SPECIFICATION
- 2 ALL WALL THICKNESSES ARE BETWEEN .016 INCH (0.4MM) AND .118 INCH (3.0MM)



	RED	66 NYLON V0, GWT RED	2-521229-2
	NATURAL	66 NYLON V0, GWT NATURAL	2-521229-1
1	RED	NYLON 6, UL94-V2	1-521229-2
1	NATURAL	NYLON 6, UL94-V2	1-521229-1
	RED	NYLON 66/6, UL94-V0	521229-2
	NATURAL	NYLON 66/6, UL94-V0	521229-1
NOTES	COLOR	MATERIAL	PART NO

THIS DRAWING IS A CONTROLLED DOCUMENT.		DWN JR RUTH 05NOV99		
DIMENSIONS: INCHES		CHK M FEHER 05NOV99		
TOLERANCES UNLESS OTHERWISE SPECIFIED:		APVD D BRATINA 05NOV99	NAME HOUSING, RECEPTACLE, FASTON, POSITIVE-LOCK MK II, .250 SERIES	
		PRODUCT SPEC -	RESTRICTED TO -	
MATERIAL SEE TABLE		APPLICATION SPEC 114-2074	SIZE A2	CAGE CODE 00779
FINISH SEE TABLE		WEIGHT -	DRAWING NO C=521229	SCALE 4:1
		CUSTOMER DRAWING	SHEET 1 OF 1	REV V