

NOTES:

1. MATERIALS AND FINISHES:  
 BODY & COUPLING NUT - BRASS, NICKEL PLATING  
 INSULATOR - PTFE, NATURAL  
 CONTACT - BeCu, GOLD PLATING  
 INSULATOR DISC - ULTEM, NATURAL  
 GASKET - SILICONE RUBBER, RED  
 RETAINING RING - PHOSPHOR BRONZE, NATURAL  
 FERRULE - COPPER, NICKEL PLATING

2. ELECTRICAL:  
 A. IMPEDANCE: 50 OHM  
 B. FREQUENCY RANGE: DC - 8 GHz  
 C. VSWR: 1.30 MAX.  
 D. DIELECTRIC WITHSTANDING VOLTAGE: 1000 VRMS, MIN.

3. MECHANICAL:  
 A. DURABILITY: 500 CYCLES MIN.  
 B. TEMPERATURE RANGE: -65°C TO +165°C

4. PACKAGING:  
 A. QUANTITY: SINGLE PACK  
 B. MARKING: BAG TO BE MARKED  
 "AMPHENOL RF, 31-6876 AND DATE CODE"

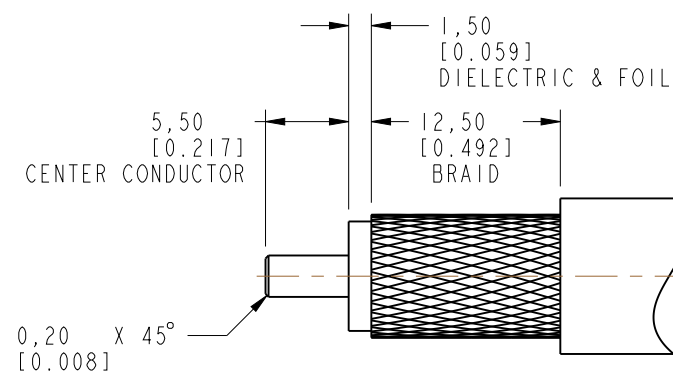
5. CABLE ASSEMBLY INSTRUCTIONS:  
 A. TRIM CABLE AS SHOWN.  
 B. SLIDE FERRULE AND INSULATOR DISC ONTO CABLE.  
 C. SOLDER CABLE CENTER CONDUCTOR TO CONTACT.  
 D. INSERT CABLE WITH FOIL ENTERING CONNECTOR AND BRAID OVER KNURL.  
 E. CRIMP FERRULE OVER BRAID WITH 0.429" HEX DIE.

6. RECOMMENDED COUPLING TORQUE: 4-6 IN-LBS.

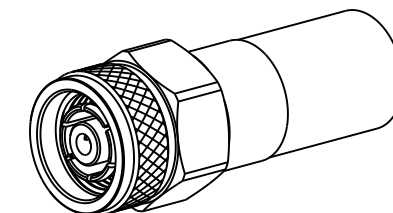
7 SHOWS CABLE ENTRY DIMENSIONS.

THIRD ANGLE PROJ.

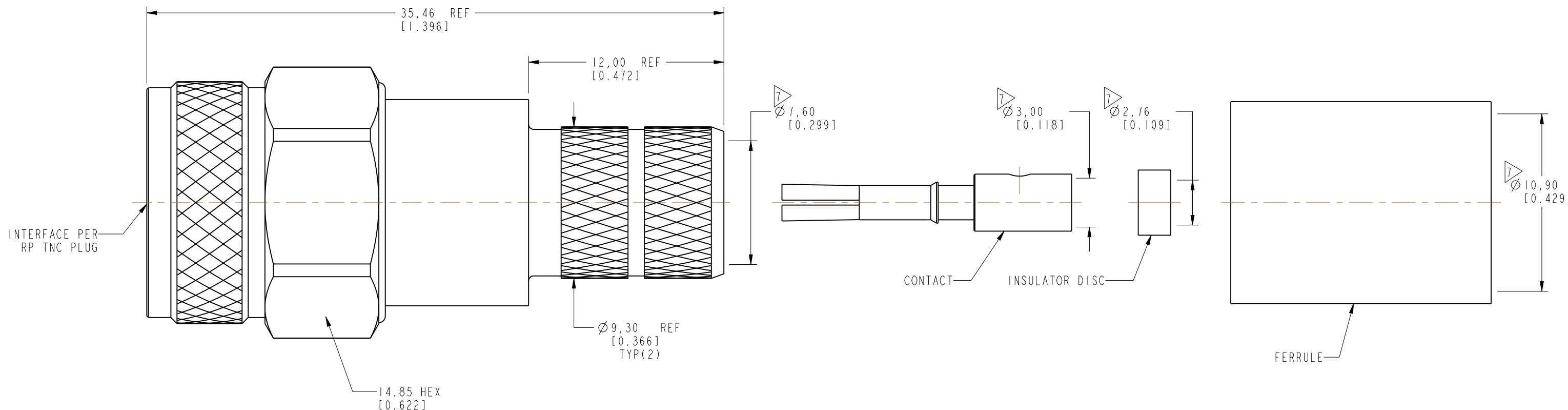
		REVISIONS		
REV	DESCRIPTION	DATE	ECN	APPR
A	RELEASE TO MFG.	24-JUN-20	15246	EH



RECOMMENDED CABLE STRIPPING DIMENSIONS



SCALE 1.300



**CUSTOMER OUTLINE DRAWING**

ALL OTHER SHEETS ARE FOR INTERNAL USE ONLY

UNLESS OTHERWISE SPECIFIED, DIMENSIONS ARE IN METRIC AND TOLERANCES ARE: <0.5mm ±0.05mm    0.5 - 6mm ±0.1mm    6 - 30mm ±0.2mm    30 - 120mm ±0.3mm    ANGLES ±1°	MATERIAL	DRAWN	DATE	TITLE		Amphenol RF www.amphenolrf.com	
	SEE NOTES	VIJAY N M	17-Jul-19	RP TNC STR PLUG FOR LMR 400 CABLE			
NOTICE - These drawings, specifications, or other data (1) are, and remain the property of Amphenol corp. (2) must be returned upon request; and (3) are confidential and not to be disclosed to any person other than those to whom they are given by Amphenol Corp. the furnishing of these drawings, specifications, or other data by Amphenol Corp., or to any other person to anyone for any purpose is not to be regarded by implication or otherwise in any manner licensing, granting rights to permitting such holder or any other person to manufacture, use or sell any product, process or design, patented or otherwise, that may in any way be related to or disclosed by said drawings, specifications, or other data.	REFERENCE	ENGINEER	DATE	SCALE: 4.2:1.0 SHEET 2 OF 2		DRAWING NO. 31-6876	
	EAR# 9189	VIJAY N M	17-Jul-19			ITEM NO. 31-6876	
	REF:	APPROVED	M. HOYACK	DATE	DWG SIZE B		PART NO. 31-6876
	CONFIGURATION LEVEL: In Work	CAD FILE		24-JUN-20	REV A		
FINISH							