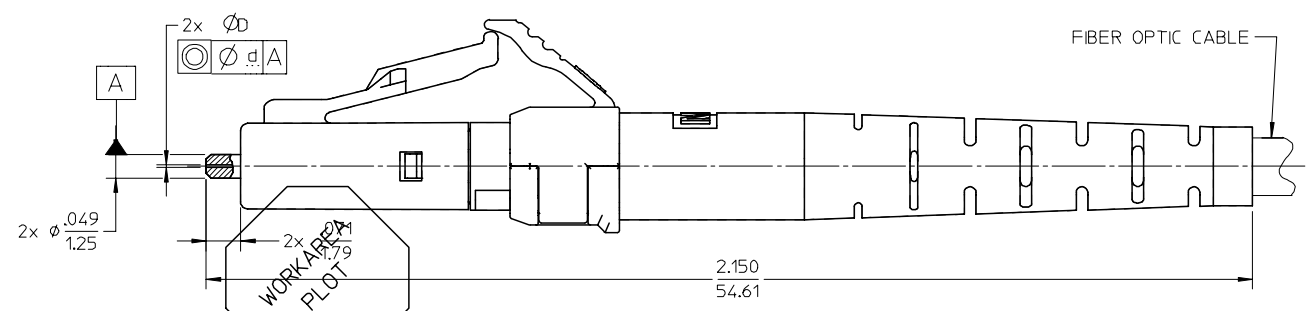
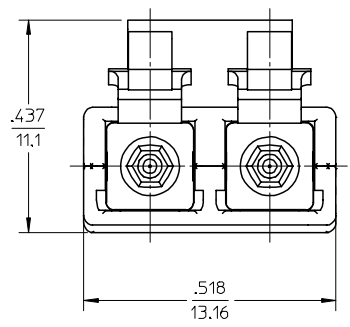
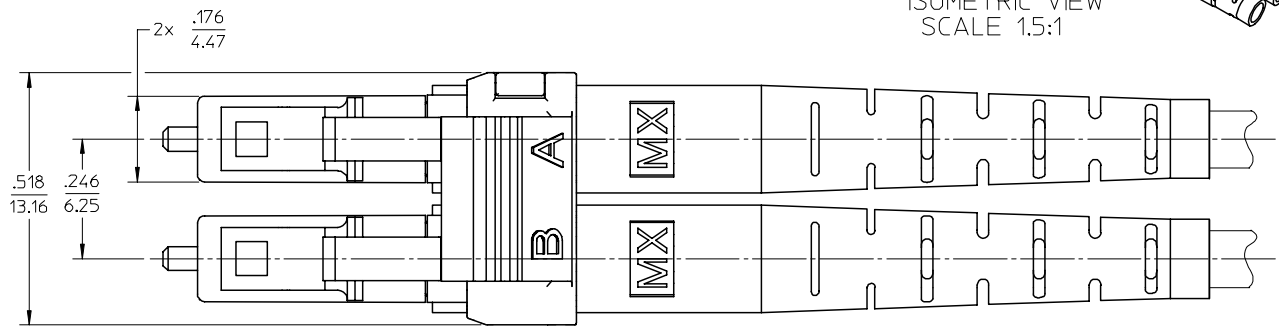
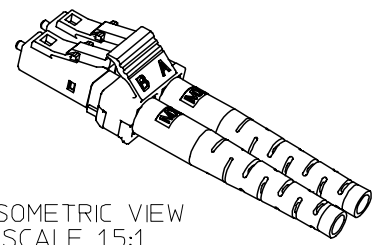


CONNECTOR P/N	ØD (Hm)	Ød (Hm)	DUPLEX CLIP COLOR	DUPLEX CLIP W/LATCH COLOR	CABLE TYPE
106025-2150	125.5 ^{+0.5} ₀	1	BLUE	BLUE	SINGLE MODE
106025-3150	127 ⁺³ ₀	3	BEIGE	BEIGE	MULTIMODE
106025-4150	125 ^{+0.5} ₀	1	BLUE	BLUE	SINGLE MODE
106025-5150	126 ⁺¹ ₀				
106025-6150	125.25 ^{+0.5} ₀				
106025-8150	125.5 ^{+0.5} ₀	0.5			



ENTER DESCRIPTION EC NO: MF2006-0323 DRW:PGIBLIN CHKD: APPR:IGUMIN 2006/02/07 2006/02/07 2006/02/07	QUALITY SYMBOLS ▽=0 ▽=0	GENERAL TOLERANCES (UNLESS SPECIFIED)		DIMENSION STYLE	SCALE	DESIGN UNITS	THIRD ANGLE PROJECTION	
		mm	INCH	IN/MM	4:1	INCH		
		4 PLACES ± ---	±.0002	P GIBL IN	DATE	TITLE	LC DUPLEX CONNECTOR W/ TWO PIECE CLIP 3.0MM CABLE APPLICATION	
		3 PLACES ±0.005	±.005	CHECKED BY	DATE	MOLEX INCORPORATED		
2 PLACES ±0.13	±.01	APPROVED BY	DATE	MATERIAL NO.	DOCUMENT NO.	SHEET NO.		
1 PLACE ±0.25	± ---	ANGULAR ±1/2°		SEE TABLE	SD-106025-X1X0	1 OF 1		
DRAFT WHERE APPLICABLE MUST REMAIN WITHIN DIMENSIONS		THIS DRAWING CONTAINS INFORMATION THAT IS PROPRIETARY TO MOLEX INCORPORATED AND SHOULD NOT BE USED WITHOUT WRITTEN PERMISSION						