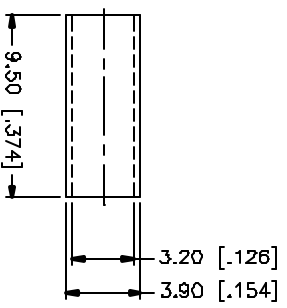
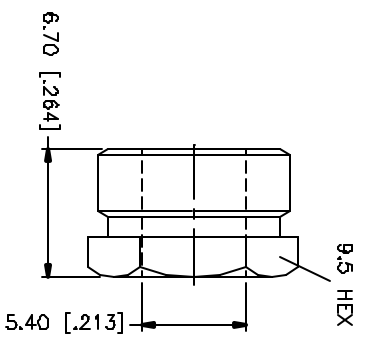
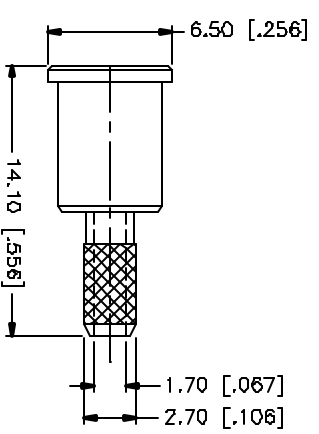
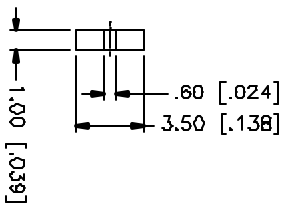
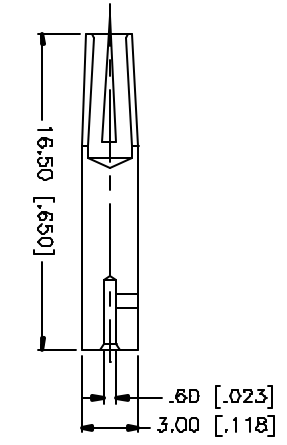
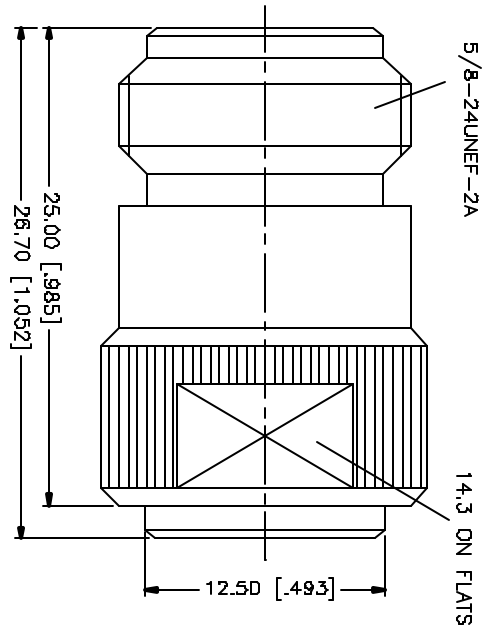
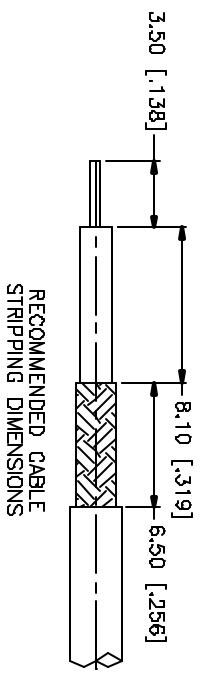


REV.	DATE	DESCRIPTION
A	12/16/04	UPDATE BARREL LENGTH TO 14.1mm
B	05/22/05	MODIFY PLATING SPEC



NO.	DESCRIPTION	MATERIAL	FINISH	QTY
1	INSULATOR BODY	BRASS	NEXCOTE	1
2	CONTACT PIN	PHOS. BRONZE	GOLD	1
3	BARREL	BRASS	NEXCOTE	1
4	HEX NUT	BRASS	NEXCOTE	1
5	FERRULE	COPPER	NEXCOTE	1

APPROVALS	DATE
DRAWN C.R.S.	05/22/05
CHECKED	
ISSUED	
SHEET 1 OF 1	

Amphenol Connex

N STRAIGHT CRIMP JACK
(FOR RG-174/U, 188A/U, 316/U)

PART NO. 172204

DWG. NO. 172204.DWG

REV. B SIZE A SCALE NA

UNLESS OTHERWISE SPECIFIED DIMENSIONS ARE IN MILLIMETERS. DIMENSIONS IN [] ARE IN INCHES AND FOR QUANTITIES REFER TO DRAWING DIMS.

UNLESS OTHERWISE SPECIFIED DIMENSIONS FOR MILLIMETERS ARE:

0.5 - .8mm ± 0.20mm
 .8 - 3.0mm ± 0.40mm
 3.0 - 12.0mm ± 0.50mm

UNLESS OTHERWISE SPECIFIED DIMENSIONS FOR INCHES ARE:

.020 - .315 ± ± 0.007"
 .315 - 1.180 ± ± 0.015"
 1.180 - 4.724 ± ± 0.020"

DO NOT SCALE DRAWING

CAD FILE C:/172/172204.DWG