

ANT-WDB-ANM-0502

Dual-band omni-directional antenna: 5 dBi at 2.4 GHz or 2 dBi at 5 GHz



- > High-gain antenna to enhance performance
- > Waterproof N-type connector
- > Lightweight
- > Housing provides IP67 protection
- > -40 to 80°C operating temperature range

Specifications

Antenna Characteristics

Frequency: 2.4 to 2.5 or 5.1 to 5.9 GHz
Antenna Type: Omni-directional
Typical Antenna Gain: 5/2 dBi
Connector: N-type (male)
Impedance: 50±5 ohms
Polarization: Linear
HPBW/horizontal: 360°
HPBW/vertical: 65°
V.S.W.R.: 1:2.0 max.
Power Handling: 2 W max.

Physical Characteristics

Weight: 72 g
Dimensions:
 Diameter: 23 mm
 Length: 220 mm
IP Rating: IP67

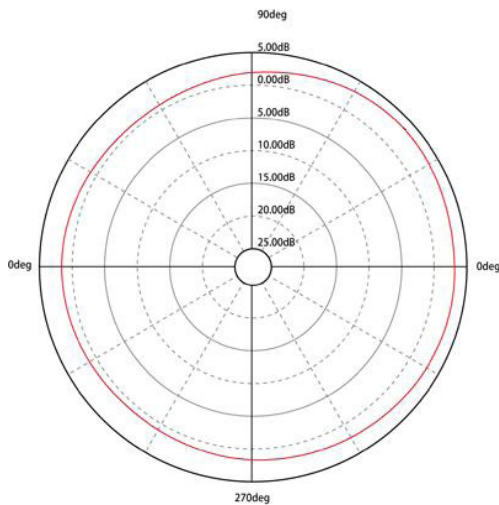
Radome Color: Black
Radome Material: NY66

Environmental Limits

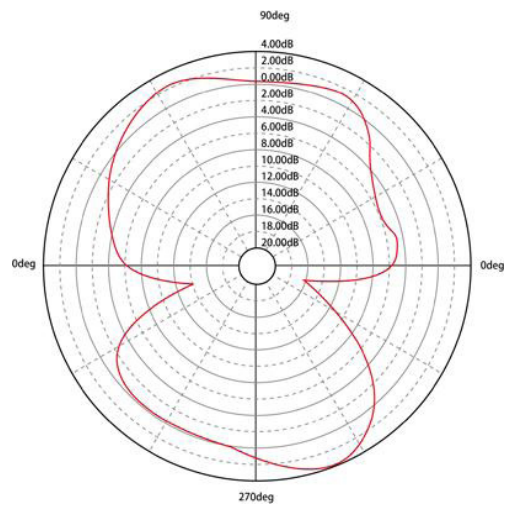
Operating Temperature: -40 to 80°C (-40 to 176°F)
Storage Temperature: -40 to 80°C (-40 to 176°F)
Ambient Relative Humidity: 5 to 100%

Field Patterns

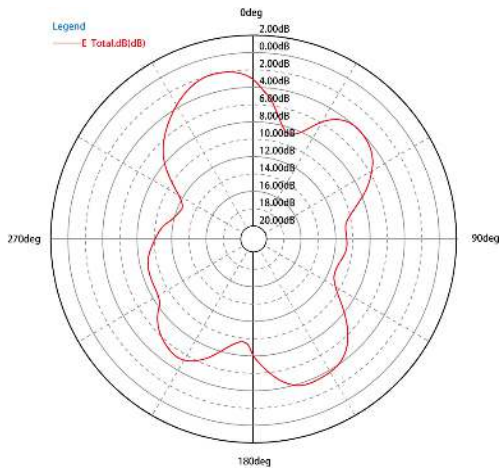
H-Plane (for 2.4 GHz)



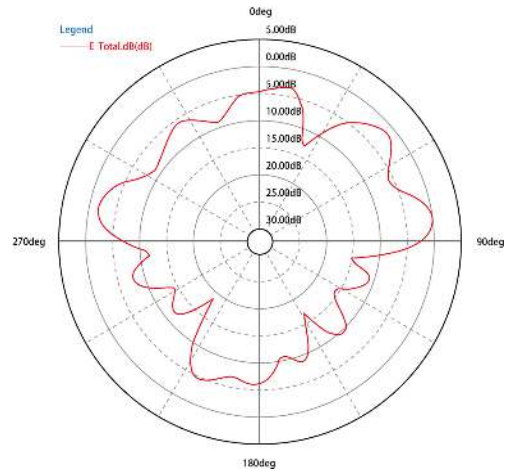
E-Plane (for 2.4 GHz)



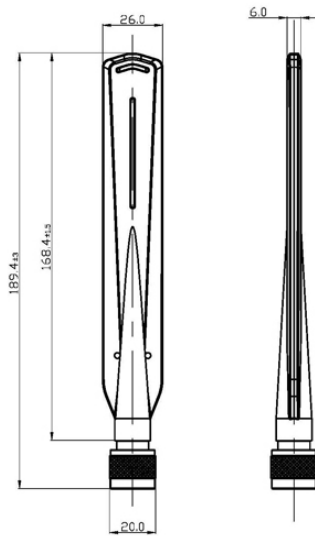
H-Plane (for 5.8 GHz)



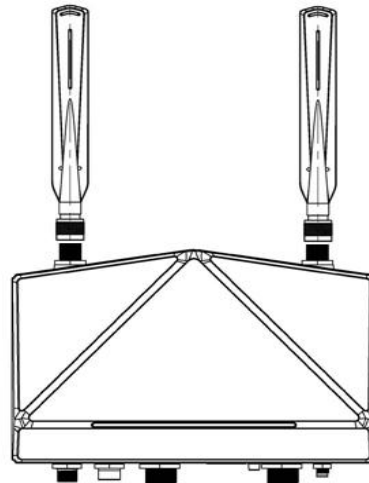
E-Plane (for 5.8 GHz)



Dimensions



Mounting



Ordering Information

Available Models

ANT-WDB-ANM-0502: 2.4/5 GHz, dual-band omni-directional antenna, 5/2 dBi, N-type (male)

Can be used with the following products

AWK Series: AWK-4121, AWK-6222